

ACCESS PORT

Office
Home

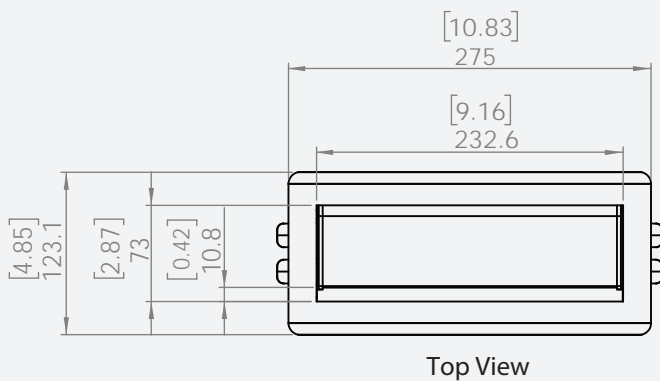


Closed position

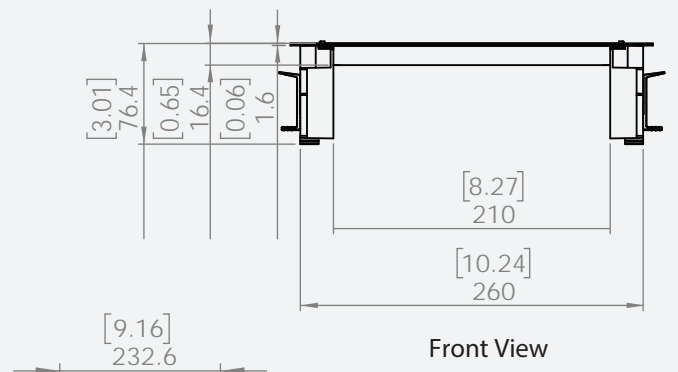


Open position

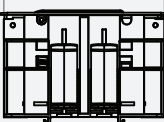
The ACCESS PORT is ideal for managing cables and providing direct access to power sources below your work surface. A cable brush protects the cable while the unit is in the closed position, allowing full access to power sources.



Top View



Front View



Side View

COLOUR

Sleek silver finish with black trim.

CABLE BRUSH

The ACCESS PORT can be closed while plug tops are still plugged in thanks to the cable brush that allows cables to exit the closed unit. This helps protect and hide messy cables below the desk.

ULTRA SLIM

When closed, the unit is mounted nearly flush with the work surface.



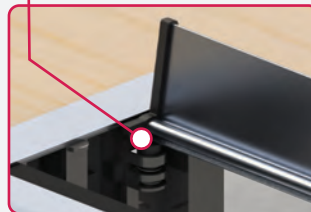
CABLE PULL THROUGH

A neat interface that allows cable extensions to be stored beneath the work surface for easy access.



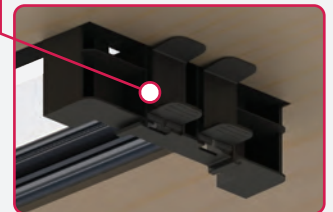
SPRING LOADED

To assist with opening and closing of the lid.



DESK MOUNTING

Four ratchet clips secure and mount the unit firmly in the desk.



All measurements are in millimeters unless otherwise indicated

