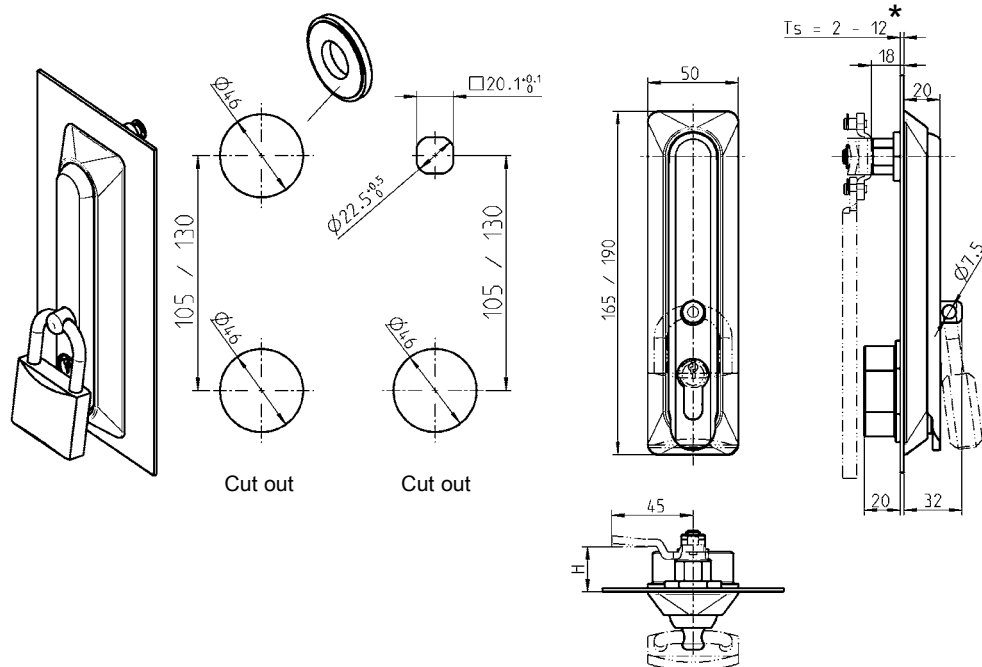


# Swinghandle for padlock

## PROGRAM 1107



Version A      Version B

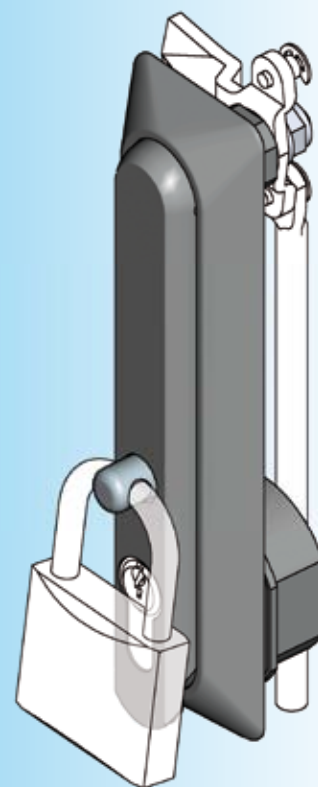


#### Attention:

With adapter the maximum door gauge (TS) will be 6 mm

#### Note:

If door gauge (Ts) > 4 mm standard round rods cannot be used!



Swing handle "long" or "short" handle polyamide GF black; dish polyamide GF V0 black; shaft brass; padlock shackle AISI 303; fixing material m.s. zinc plated; with seal

Swing handle "long" (190)

for 40 mm profile half cylinder

1107-U96-G

Swing handle "short" (165)

for 40 mm profile half cylinder

1107-U164-G

Adapter polyamide GF black required for cut out version A

1107-53

\* Order screw set separately if Ts = 4-12 mm

1107-U170

Further parts see page

- Cam 3YC-120
- Rod control for cam 3YC-180
- Profile half cylinder 3XB-120