



U-PROFILE EDGEBOARDS

MADE OF CARDBOARD

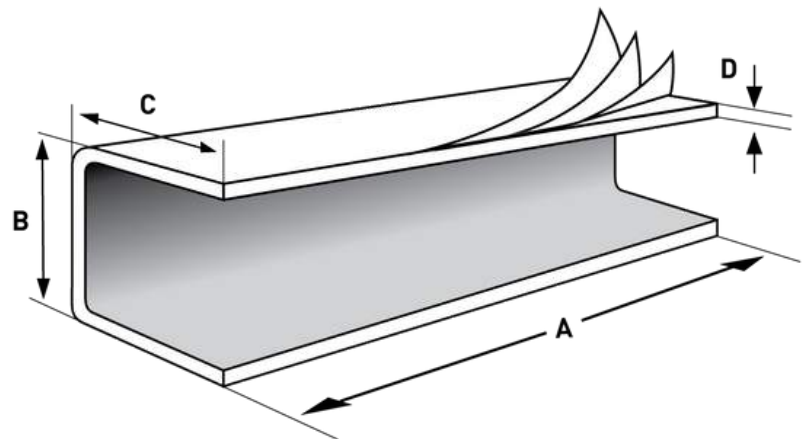
Edge or corner protection specially designed to protect the delicate and exposed angles of various types of products.

Technical characteristics

- A** Length: made to order (up to 6000 mm)
- B,C** Base and wings: from 33 to 85 mm (symmetrical or assymetrical wings)
- D** Thickness: from 2.5 to 5 mm

Paper: white or brown kraft exterior, highly resistant greyboard interior

Print: by flexography, up to 4 colours. It is also possible to add logos or text.



Do you have any questions?

We can advise you on the technical characteristics of the packaging that wouldt suit your needs best

