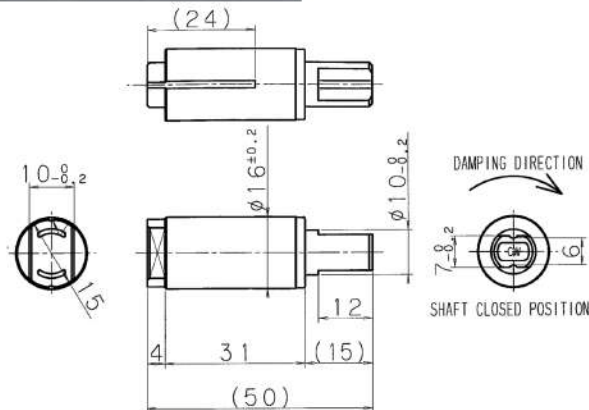


TD100 SERIES

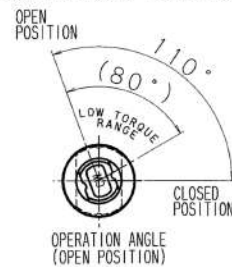


FEATURES

- RoHS compliance
- Outer dimension $\Phi 16$ with Max. Torque 3.0N·m.
- Excellent Chemical resistance



OPERATION ANGLE(SHAFT OPEN POSITION)



Above drawing shows operation angle of TD100A1 series dampers. Operation angle for TD100B1 series dampers are symmetrical to the vertical line.

Shaft position at the time of shipment is closed position.

<Standard Components>

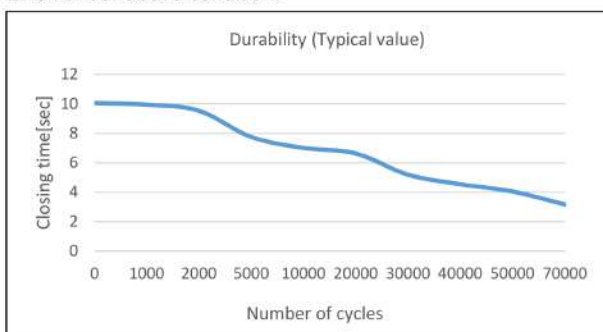
Part name	Material
Housing	PBT
Shaft	ZDC
Cap	PBT

Code	Part No.	Allowable Torque [N·m]	(Kgf·cm)	Direction
610008	TD100A1-10K	[1.0]	(10)	CW(R)
610006	TD100A1-15K	[1.5]	(15)	CW(R)
610004	TD100A1-20K	[2.0]	(20)	CW(R)
610002	TD100A1-25K	[2.5]	(25)	CW(R)
610000	TD100A1-30K	[3.0]	(30)	CW(R)

Code	Part No.	Allowable Torque [N·m]	(Kgf·cm)	Direction
610009	TD100B1-10K	[1.0]	(10)	CCW(L)
610007	TD100B1-15K	[1.5]	(15)	CCW(L)
610005	TD100B1-20K	[2.0]	(20)	CCW(L)
610003	TD100B1-25K	[2.5]	(25)	CCW(L)
610001	TD100B1-30K	[3.0]	(30)	CCW(L)

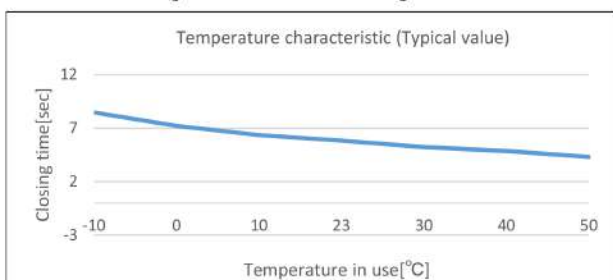
DURABILITY

Each damper is set-up with an applied torque and weight on the shaft of the testing device. Measurements for closing time are taken under above condition.

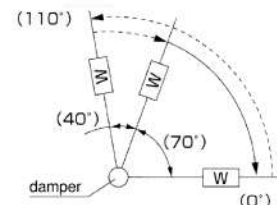


TEMPERATURE CHARACTERISTICS

After the damper is stabilized at room temperature for 1 hour or more. The closing time is measured using a TOK made device.



Operation angle	110°	
Durability	70,000 cycles	
Closing time	Applied torque	Initial value
	1.0N·m(10kgf·cm)	3~12 (sec)
	1.5N·m(15kgf·cm)	3~12 (sec)
	2.0N·m(20kgf·cm)	3~12 (sec)
	2.5N·m(25kgf·cm)	3~12 (sec)
3.0N·m(30kgf·cm)	3~12 (sec)	



TEST CONDITION

- ① Setting-up time : 20 sec/cycle
- ② Applied torque :
 - 1.0N·m(10kgf·cm)
 - 1.5N·m(15kgf·cm)
 - 2.0N·m(20kgf·cm)
 - 2.5N·m(25kgf·cm)
 - 3.0N·m(30kgf·cm)
- ③ Temperature : 23°C±2°C
- ④ Angle for measuring the closing time : 70° → 0°
- ⑤ Radial force : nothing
- ⑥ Closing time after durability test : 1 sec. or more

TOK, Inc.

HEAD OFFICE, TOKYO, JAPAN - TEL : 81-3-3969-1534 FAX : 81-3-3969-9354
EMAIL : en-contact@tok-inc.com

Product specification are subject to change without prior notice.

Before assembly or use of any bearing, please read "Caution for Use"