

AUTOMATIC
WEIGH-PRICE LABELLER

LS-3000



WEIGHING
DYNAMIC OR
STATIC



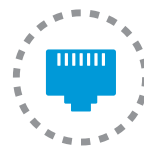
**LABEL
PRINTER**
PRINTHEAD / 3-4"



LABELLING
IN MULTIPLE
POSITIONS



8,000 PLUs
MEMORY

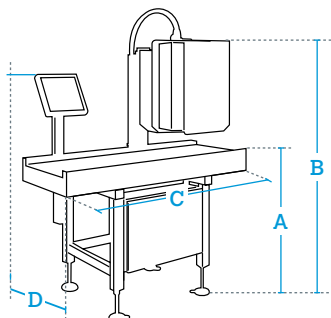


ETHERNET
TCP/IP



**METROLOGICAL
VERIFICATION**
OPTIONAL

DIMENSIONS



DATA IN mm

A 800 - 950 (adjustable legs)

B 1,450 - 1,860 (adjustable legs)

C 1,320 (with 3 L400 conveyors)*

D 720 (for W280 conveyors)**

* These measurements correspond to the sum of the infeed, weighing and labelling conveyors. For other sizes, contact us.

** For other sizes, contact us.

Specifications:

Outstanding functions

- Labelling of fix/variable weight/price.
- Discrimination by weight checking.
- Orders management.
- Labelling of totals.
- Generic traceability on label.
- Adapted to comply with EU Regulation 1169/2011 referring to food information.
- Barcodes:
EAN-8, EAN-13, EAN-128, CODE 128, ITF-14, GS1 Datamatrix and GS1 Databar (up to 4 codes per label).

Weighing

- **Weighing type:**
· Dynamic or static.
- **Ranges depending on the dimensions of the weighing conveyor:**
· 6 kg/2 g or 10 kg/5 g with conveyor of up to L400 x W400 mm.
· 15 kg/5 g, 20 kg/10 g, 30 kg/10 g, 40 kg/20 g or 60 kg/20 g with conveyor of up to L600 x W500 mm.
· 3 kg /1 g or other, contact us.

Labelling system

- **Printing type:**
· Direct Thermal (DT) or Thermal Transfer (TT).
- **Printhead:**
· Long-lasting 3" or 4".
- **Resolution:**
· 8 dots/mm.

- **Label applicator type:**
· Top labeller: "Air-jet®" (AA) or pneumatic piston.
· Bottom labeller: by contact.
· Side, front or rear labeller: pneumatic piston.
- **Position of the label applicator:**
· Top, bottom and side labelling (front or rear, contact us).

Labels

- **Dimensions depending on the position of the label applicator and the inches of the printhead:**
· Top, side, front or rear label: from W30 x L35 mm, up to W80 x L100 mm (3"). Up to W102 x L150 mm (4").
· Bottom label: from W30 x L55 mm, up to W80 x L100 mm (3"). Up to W102 x L150 mm (4").

Construction

- **Structure:**
· AISI 304 stainless steel and anodized aluminium.
- **Belts:**
· Material and characteristics: Rigid, polyurethane coating. With FDA approval.
- **Console:**
· Material: Stainless steel.
· "Qwerty" keypad and backlit graphic LCD display.
· Height of top labeller regulated from console.

Communication to PC

- Ethernet TCP/IP.
- RS-232.

PC Software

- **RMS:** For equipment configuration, production data management and back up (LBS).
- **DLD:** For graphic design of labels.
- **Integration tools:** See section on software.

Power supply & compressed air

- **Electrical:** 230 V/50 Hz; 115 V/60 Hz.
- **Air:** max. 150 l/min (at 5-8 bar).

Possible integration with other equipment

- Dibal LP-3000 manual weigh-price labeller.
- Dibal GS-3000 batch collector (+ LP-3000).
- Aligner.
- Misaligner.
- 90° deflector.
- Dibal MD-5000 metal detector.
- X ray inspection systems.

MODELS:

LS-3130

1 Conveyor

- Only 1 weighing and labelling L400 x W280 mm conveyor in static weighing.
- For products of up to L350 x W280 mm, and up to 10 kg.
- 1 top labeller, direct thermal printing, 3" printhead and "Air-Jet®".
- Performance*: 30 labels/minute (with labels of W60 x L60 mm, and products of up to L350 mm and 2 kg).

M not available

LS-3330/5

3 Conveyors

- 1 infeed, 1 weighing and 1 labelling L400 x W280 mm conveyor.
- For products of up to L320 x W280 mm, and up to 10 kg (in dynamic weighing). Up to L350 x W280 mm in static weighing.
- 1 top labeller, direct thermal printing, 3" printhead and "Air-Jet®".
- Performance*: 60 labels/minute (with labels of W60 x L60 mm, and products of up to L200 mm and 2 kg). In MID conditions (M).

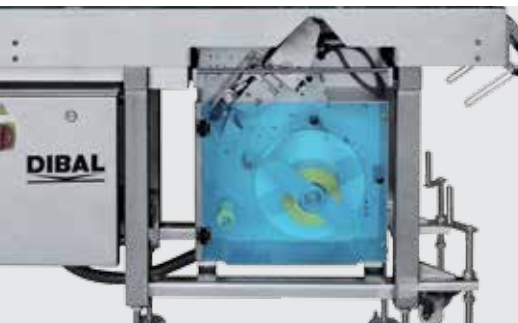
LS-3330/7

3 Conveyors

- 1 infeed, 1 weighing and 1 labelling L400 x W280 mm conveyor.
- For products of up to L320 x W280 mm, and up to 15 kg (in dynamic weighing). Up to L350 x W280 mm in static weighing.
- 1 top labeller, direct thermal printing, 3" printhead and "Air-Jet®".
- Performance*: 60 labels/minute (with labels of W60 x L60 mm, and products of up to L200 mm and 2 kg). In MID conditions (M).
- Other dimensions conveyors are available.

* Maximum performance will depend on the size, weight and morphology of the product, as well as on the regularity of the infeed of the products, dimensions and characteristics of the label, and MID conditions (M).

Options



> Bottom labeller



> Split belt



> Front or rear side labeller

Option	Characteristics	Ref.
4" printhead	Labels up to W102 x L150 mm.	Contact us
Thermal transfer printing	For 3" or 4" printhead.	Contact us
1 pneumatic piston applicator (to replace the "Air-jet®")		Contact us
Extra piston kit (in addition to the chosen applicator)	For the application of labels of different sizes, an additional piston may be required. Interchangeable with the chosen applicator.	Contact us
Bottom labeller (to replace the top labeller) for models: - LS-3330/5 - 3 conveyors - LS-3330/7 - 3 conveyors	Label application by contact, 3" printhead and direct thermal printing. Label dimensions: from W30 x L55 mm, up to W102 x L150 mm. Performance*: 40 labels/minute (with labels of W60 x L60 mm).	Contact us
Front or rear side labeller (to replace the top labeller)	Recommended for boxes.	Contact us
Side labeller (to replace the top labeller)	Recommended for boxes.	Contact us
L600 x W280 mm conveyor	To replace L400 mm conveyor of LS-3330/7 - 3 conveyors model.	Contact us
L800 x W280 mm conveyor	To replace L400 mm conveyor of LS-3330/7 - 3 conveyors model.	Contact us
L1,000 x W280 mm conveyor	To replace L400 mm conveyor of LS-3330/7 - 3 conveyors model.	Contact us
L400 x W400 mm conveyor	To replace L400 mm conveyor of LS-3330/7 - 3 conveyors model.	Contact us
L600 x W400 mm conveyor	To replace L400 mm conveyor of LS-3330/7 - 3 conveyors model.	Contact us
Split belt	For transparent packs or irregular shape/cylindrical products.	Contact us
Detectors at 45 °	For transparent packs or irregular shape products. Infeed conveyor with split belt necessary.	Contact us
Right to left operation	Standard operation: left to right.	Contact us
RMS Software	Equipment configuration, production data management and back up (LBS). (See section on software)	7340R1U3 7340RNU3
DLD Software	Graphic design of labels. (See section on software)	7340L1U3 7340LNU3
Wi-Fi	Wireless communications.	Contact us
Packed in phytosanitary wood case	Necessary depending on the destination.	PEEC080F
Metrological verification (M)	According to EU weighing directives (MID).	Contact us

* Maximum performance will depend on the size, weight and morphology of the product, as well as on the regularity of the infeed of the products, dimensions and characteristics of the label, and MID conditions (M).

Accessories

Motorised conveyor

Infeed/output L1,000 x W280 mm conveyor, with smooth belt.



Ref: Contact us

W280 exit ramp

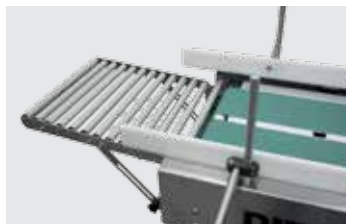
Non-motorised PVC rollers for W280 mm conveyor.



Ref: Contact us

W400 exit ramp

Non-motorised PVC rollers for W400 mm conveyor.



Ref: Contact us

Product guiding system in infeed conveyor (standard)

For special guides, contact us.



Ref: Contact us

Barcode readers

Contact us about applications.



Ref: Contact us

Label fixers

For a better application of labels on products with irregularities on the application surface.

Options: brush roll, foam roll, foam piston, etc.



Ref: Contact us

Rollers conveyor

Rollers conveyor for transporting or accumulating products.



Ref: Contact us

Rotating table

To collect wrapped and/or labelled products.



Ref: Contact us

Rejectors

Rejection system.

Options: pneumatic piston, "Air-Jet®", rotating blade or folding conveyor.



Ref: Contact us

Product turning device

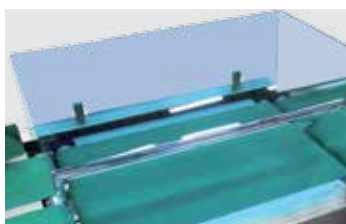
To change the position or orientation of the products.



Ref: Contact us

Polycarbonate protector for L400 x W280 mm weighing conveyor

To avoid external disturbances during the weighing process.



Ref: Contact us

4 wheels with brakes

Stud included.



Ref: Contact us