

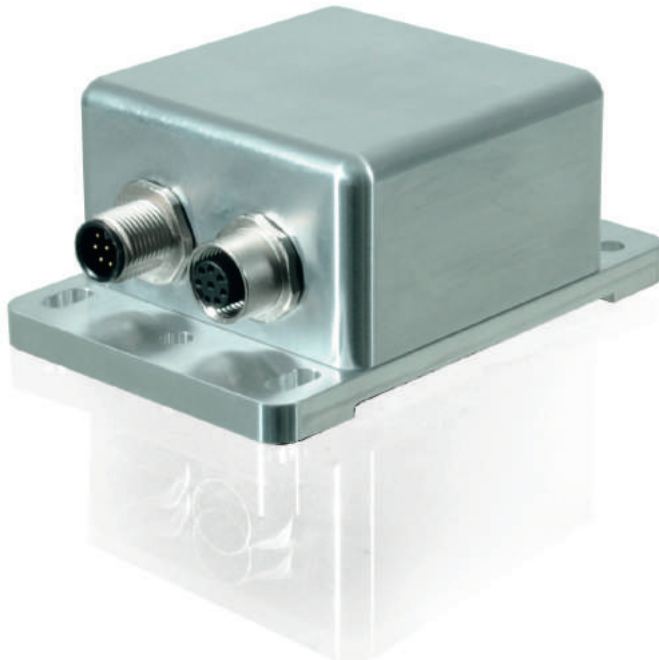
Inclination sensor on MEMS technology

Interface: CANopen Safety - SIL2

Model NBN / S3

Document No.: NBN 12054 OE

Date: 21.03.2018



- **Certified (TÜV) SIL2 according to IEC 61508**
- **Use in mobile as well as stationary machines and systems. Especially for undercarriage levelling and measuring inclination on booms**
- **Interface: CANopen safety according to CiA DS304 CANopen Framework for safety-relevant communication, version 1.0.1**
- **Number of measurement axes: 1 or 2**
- **Selectable measuring range: ± 5° to ± 90°**
- **High vibration and shock resistance**
- **Option: Filter measures for masking interference vibrations and interference shocks → version V**

Contents

Design and function.....1

General description2

 Measuring accuracy.....2

General technical data.....3

 NBN principle circuit diagram.....3

 Safety relevant Data.....3

CANopen data4

 CANopen safety data format5

Characteristic curve.....6

Order code format7

 Recommended types7

Electrical connections.....8

Accessories8

Installation drawings9

Installation positions and measurement axis assignment 11

Further examples for installation positions12

 Ordering aid12

Design and function

Registration of inclination in the gravitational field by means of MEMS sensors (Micro-Electro-Mechanical-System) with subsequent digitisation and linearisation via controllers.

The housing-based inclinometer (model NBN 65) has a stable aluminium housing (optionally stainless steel) and is highly-resistant to vibration and shock. One or two connectors/socket in the case of CANopen can optionally be selected for connection. Casting measures in the housing lead to the achievement of protection class IP 69K, e.g. for use under water.

MEMS sensors are integrated circuits manufactured using silicon bulk micromechanical technology. Double capacities are formed with the aid of moveable micromechanical structures. If these structures are deflected in the case of acceleration, e.g. gravitational acceleration (**g**), this results in capacity changes, which are registered and further processed using measuring technology. The output voltage follows the function $U \propto g \cdot \sin \alpha$. In this case, the angle α is the sensor's inclination angle measured against the **g** vector. These sensors measure precisely, have a long service life and are very robust. The measuring axes operate independently of each other.

The NBN has a **redundant MEMS sensor system**.

Data output is carried out via the CANopen interface by means of the object SRDO (Safety Relevant Data Object). Normal and bit-inverted.

Two independent nodes are implemented in the sensor sys-

Inclinometer NBN / S3

General description

tem; in terms of logic, these behave as one node, i.e. both systems are addressed via one node address. The primary node controls the logical CANopen functions such as SDO processing, NMT and LSS services, and provides information to the redundant node via internal communication. The redundant node checks the safety parameters and internally compares its safety status with that of the primary node.

A synchronisation check is carried out in the inclinometer. Only one position datum is output; the plausibility of this is checked using the second system's position datum. If the deviation of the two systems higher than a certain value, an error message is given by the NBN. The master receives this message and can react.

One set of safety parameters exist for the primary node (object 1301h). The SRDO COB ID can be enabled or disabled as desired.

Behaviour in the event of a measured value change due to averaging:

Dynamic, arithmetic averaging of the measured values is implemented in the inclinometer. This involves linear averaging over 1000 values, whereby a new value is recorded every millisecond. This results in a low-pass effect. In the event of an abrupt change in the measuring angle, the end value is reached after approx. 1 second. In the event of a linear change in the measuring angle, the relevant output signal follows after a delay of approx. 0.6 seconds. Other, e.g. shorter, values may be set depending on application conditions. However, the output signal then tends to have a higher noise factor.

Behaviour in the case of lateral inclination:

The measured axis is no longer detected in case of an inclination in a second axis (cross-axis inclination) is greater than 15°. Meaning the sensor will go in an over flow stage (+180°). This feature is required since measuring accuracy decreases with increasing cross-axis inclination.

Behaviour in the case of interference accelerations (shocks and vibrations):

In certain applications, interference accelerations occur due to shocks, impacts or resulting post-oscillation processes in normal operating condition. These interferences are temporally limited and can exceed the measuring range of the internal MEMS sensor (2.2 g). On occurrence of such interference, transmitting an alarm message (emergency message) is unfavourable, as the machine then assumes a safe status and is no longer operable.

The following two versions are available to meet the various requirements:

1. Standard version: An error message (emergency message, override or sensor error) is immediately output and the machine/system switches to its safe status.

2. Special version variant 'V' with vibration filter: As soon as the interference occurs, the position output value is set to -180°. This is not a defined measured value. The control system is thereby notified that inclination measurement is not possible due to shock and vibration stresses. An error message (emergency message) is not output in this case to prevent the system from switching to its safe status. This behaviour is not temporally limited.

As no emergency message is transmitted with this version, the user is required to ensure that the machine/system is in normal operating state during the period of time in which inclination measurement is not possible due to interference accelerations. Via his control system programme, the user must ensure that no dangers arise due to the application during this time.

As soon as there is no further interference acceleration due to shock and vibrations, regular inclination data are output again, and not -180°.

Depending on the current measuring range, interferences which reveal an amplitude of less than 2.2 g are interpreted by the NBN as a measuring range overshoot (the MEMS sensor is an acceleration sensor). In this case, the overflow value of +180° is output.

Measuring accuracy

Device with 1 or 2 axes, ± 20° measuring angle:

Accuracy:	± 0,25° (cross tilt ± 5°), otherwise ± 0,5°
Drift:	± 0,3°; range [-10 °C to +60 °C] ± 0,5°; range [-40 °C to +85 °C]

Device with 1 axis, ± 90° measuring angle:

Accuracy:	± 0,5° (cross tilt ± 3°) ± 0,25° within 20° (cross tilt ± 3°)
Drift:	± 0,3°; range [-10 °C to +60 °C] for ± 60° ± 0,4°; range [-40 °C to +65 °C] for ± 90° ± 0,5°; range [-40 °C to +85 °C] for ± 60° ± 0,6°; range [-40 °C to +85 °C] for ± 90°

Inclinometer NBN / S3

Measuring accuracy

Accuracy optional (not SIL 2 certified yet):

Devices with 1 or 2 axes with a measuring angle of max. $\pm 15^\circ$ have an accuracy of $\pm 0.25^\circ$.

This accuracy specification includes the following operating conditions:

Lateral inclination up to and including $\pm 15^\circ$. An operating temperature range from -10°C to 60°C .

(Measurement accuracy with lateral inclination of $\sim 0^\circ$ in a temperature range of $+15^\circ\text{C}$ to $+30^\circ\text{C}$: **0.1°**)

General technical data

Electrical data

■ Sensor system:	MEMS acceleration sensor
■ Operating voltage:	11 to 36 VDC
■ No. measuring axes:	1 or 2
■ Measuring range *:	$\pm 5^\circ$ to $\pm 90^\circ$ (selectable for example $\pm 5^\circ$, $\pm 10^\circ$... $\pm 85^\circ$, $\pm 90^\circ$ → see page 7)
■ Resolution:	0.01°
■ Power consumption:	< 1 W
■ Current:	approx. 40 mA
■ Absolute accuracies:	< $\pm 0.5^\circ$ (see note on page 2)
■ Repeatability:	$\pm 0.05^\circ$
■ Noise:	$\pm 0.05^\circ$
■ Zero error:	$\pm 0.5^\circ$
■ System synchronisation deviation:	internally controlled
■ Signal path:	ascending values with CCW
■ Reaction time:	1 s (for 100 % of the current end value, see note on page 2)
■ EMC standards:	EN 61000-4-2 (ESD) EN 61000-4-4 (Burst) EN 61000-6-3(4) (Emission)
■ Transmission rate:	1 MBaud
■ Output code:	Binary
■ CAN interface:	According to ISO/DIS 11898
■ Address/ baud rate setting:	Via SDO/LSS
■ Terminating resistor:	To be implemented separately
■ Galvanic isolation between power supply and bus	

Environmental data

■ Temperature range::	- 40 °C ... + 85 °C
■ Storage temp. range:	- 20 °C ... + 60 °C (due to packaging)
■ Resilience	
□ To shock:	200 m/s ² ; 11 ms, DIN EN 60068-2-27
□ To vibration:	100 m/s ² ; 10 ... 2000 Hz, DIN EN 60068-2-6
■ Protection grade:	IP 67 IP 69K (option)
■ Weight:	Approx. 0.3 kg (aluminium) Approx. 0.65 kg (stainless steel)

Safety relevant Data

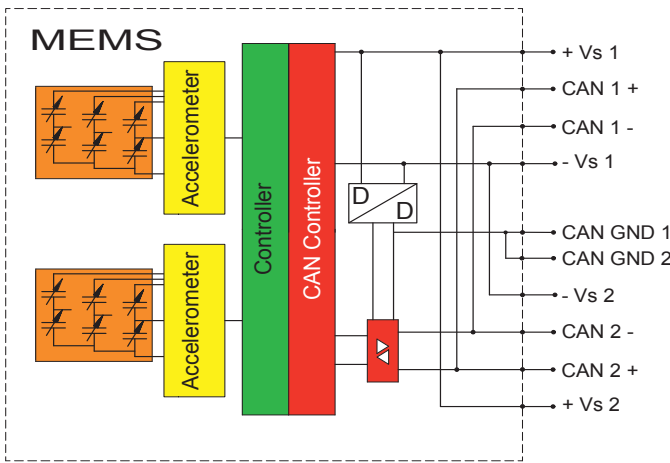
PFH:	$1,53 \cdot 10^{-7}$ 1/h
SFF:	95,33 %
MTR/MTTR:	8 h
T ₁ :	1 a
TÜV-Nord Zertifikatsnummer:	44 799 12 401439-000

* At digital output version NBN the resolution is set to maximum. Reducing the measuring range means only that at smaller angles the overflow will be reached and output to signalize the applications controller that the maximum angle is exceeded. See characteristic curve on page 6.

Inclinometer NBN / S3

CANopen data

NBN principle circuit diagram



Standard: 1 Connection for power supply and CANopen
 Option: 2 connections for power supply and CANopen

Interface according to the following specifications

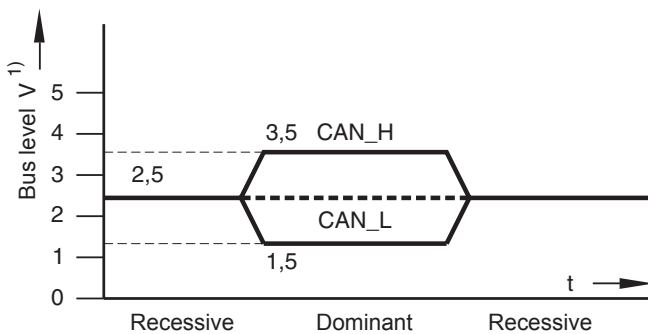
- CiA DS301 CANopen Application Layer and Communication Profile, Version 4.1
- CiA DS304 CANopen Framework for safety-relevant communication, Version 1.0.1
- CiA DS305 CANopen - Layer Setting Services and Protocol (LSS)
- CiA DS410 CANopen - Device Profile for Inclinometers, Version 1.2
- IEC 61508 Functional safety of safety-related electrical/programmable electronic systems

CANopen Features

- NMT Master: no
- NMT-Slave: yes
- Maximum Boot up: no
- Minimum Boot up: yes
- COB ID Distribution: Default, SDO
- Node ID Distribution: via Index 2000 oder LSS
- No of PDOs: 2 Tx / Node
- PDO-Modes: sync, async, cyclic, acyclic
- Variables PDO-Mapping: no
- Emergency Message: yes
- Heartbeat: yes
- No. of SDOs: 1 Rx / 1 Tx
- Device Profiles: CiA DSP 410 Version 1.2
CiA DSP 304 Version 1.0.1
- Baudrate (factory setting): 20 kBaud
- Node ID (factory setting): 1

A detailed description of the profile you will find in the specification NBN 12599.

Output level according to ISO/DIS 11898

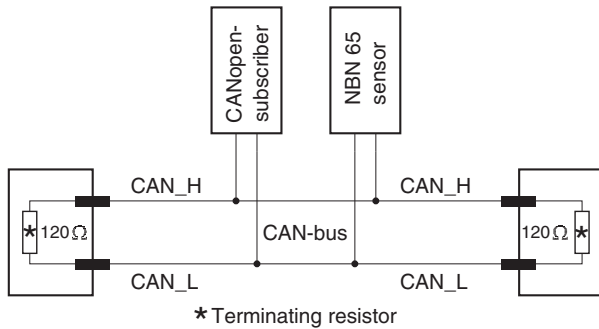


1) With common mode voltage = 0V

Inclinometer NBN / S3

CANopen data

Bus activation according to ISO/ DIS 11898



The design guideline "CiA Draft Recommendation 303 CANopen additional specification Part 1: Cabling and connector pin assignment" must be observed on installation.

CANopen safety data format, SIL2 (Safety Relevant Data Object SRDO)

Output of three axis, x, y, and z, from Objects 6010_h, 6020_h und 6030_h (maximum 2 axis with relevant measuring values, else 0). Resolution 0.01° per digit.

Data Byte 0								Data Byte 1								Data Byte 2								Data Byte 3								Data Byte 4								Data Byte 5							
0	1	2	3	4	5	6	7	8	9	10	11	12	13	14	15	16	17	18	19	20	21	22	23	24	25	26	27	28	29	30	31	32	33	34	35	36	37	38	39	40	41	42	43	44	45	46	47
LSB								MSB								LSB								MSB								LSB								MSB							
Angle x-axis																Angle y-axis																Angle z-axis															

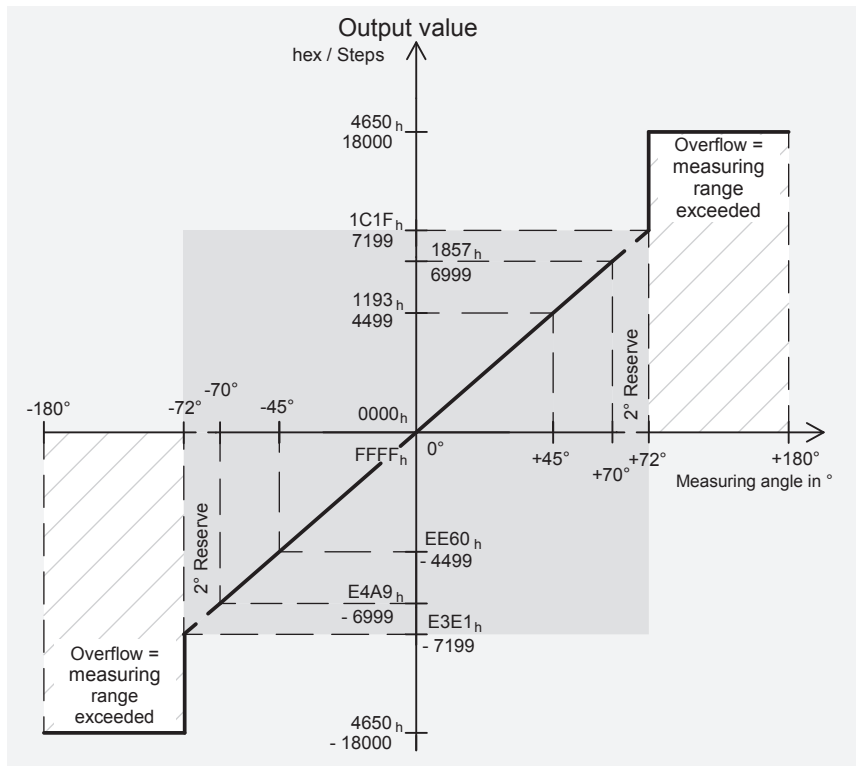
Data Byte 0								Data Byte 1								Data Byte 2								Data Byte 3								Data Byte 4								Data Byte 5							
0	1	2	3	4	5	6	7	8	9	10	11	12	13	14	15	16	17	18	19	20	21	22	23	24	25	26	27	28	29	30	31	32	33	34	35	36	37	38	39	40	41	42	43	44	45	46	47
LSB								MSB								LSB								MSB								LSB								MSB							
Angle x-axis inverted																Angle y-axis inverted																Angle z-axis inverted															

Inclinometer NBN / S3

Characteristic curve

Characteristic curve

- Example: $\pm 70^\circ \triangleq 2 \times 7000$ increments with resolution 0.01°
- Example: $\pm 20^\circ \triangleq 2 \times 2000$ increments with resolution 0.01°
- Data format: Signed 16-bit.



When exceeding the selected range (eg $\pm 70^\circ$), plus about 2° the CANopen output values is set to 4650hex (= 18,000 steps = 180°) in order to signal the controller that the inclinometer is tilted out of the selected scale.

Documentation, EDS file, etc.

- The following documents can be found in the Internet under www.twk.de in the documentation area NBN model (letter "N")
 - Data sheet No. NVA 12054
 - Specification No. NVA 12599
 - CRC checksum programme for parameterisation. Link: www.twk.de/files/CRC-Calculator20.zip
 - Certificate SIL2
- The following are available on request:
 - EDS file
 - Bit map image file
 - Electrical connection assignment, if required
 - CRC checksum programme for parameterisation
 - Description of the filter and programming settings (individually for each pre-set device, therefore on request only)
- Supply source for the listed CANopen specifications:
 - CAN in Automation (CiA),
 - Kontumazgarten 3, D-90429 Nuremberg
 - (Email: headquarters@can-cia.org, www.can-cia.org)

Inclinometer NBN / S3

Order code format

NBN 65 - A x / y / z V S3 - 1 - S 1 N 01

Electrical and mechanical variants *:

- 01 Standard
- 50 Connection via connector M12, 5-pin

Output interface:

- N CANopen

Electrical connections:

- 1 Single connection
- 2 Double connection

Electrical connections *:**

- S Device connector M12
- K Cable 1 m (further cable length on demand)

Installation position (See pages 12-13):

- 1 TOP 1, 2, 3, 4, 5, 6

See below: Available types

Profiles:

- S3 SIL2 certified. CANopen safety profile according to CiA, DS 304 version 1.0.1

Vibration protection measures: recommended (only complete if desired):

- V V = with vibration protection measure (see page 2).

Measuring ranges ** (See pages 12-13):

- ± z° z-axis
- ± y° y-axis
- ± x° x-axis

See below: Available types. Other types on request.

Housing material *:**

- A Aluminium AlMgSi1
- S Stainless steel 1.4305
- V Stainless steel 1.4404

Design form:

- 65 65 mm

NBN with CANopen safety interface

Available types

(Standard versions. Other measuring ranges and installation positions on request)

- NBN65-A20/20/0S3-1-S2 N50 or NBN65-A20/20/0 V S3-1-S2 N50
- NBN65-A90/0/0S3-2-S2 N50 or NBN65-A90/0/0 V S3-2-S2 N50

* The basic versions according to the data sheet bear the number 01. Deviations are identified with a variant number and are documented in the factory. NBN: variant 50 is firmly assigned: electrical connection via M12, 5-pin (instead of 8-pin).

** The measuring ranges for the various measurement axes can be selected in 5° steps, whereby it must be noted that only 2 axes can be used at any one time. For the undesired axis please choose '0'. Accuracy differences may possibly arise in terms of the compatibility of the measuring ranges or the measuring angles. Please talk to one of our employees.

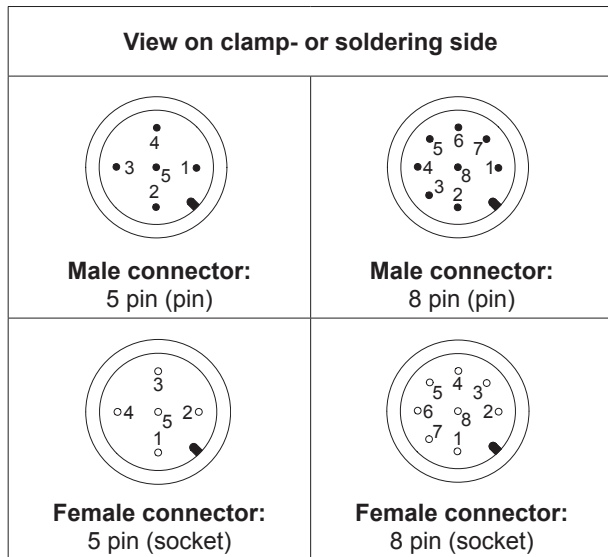
*** Aluminium housing with connector M12, stainless steel housing preferably with cable (D-sub connector for test purposes mounted).

Inclinometer NBN / S3

Electrical connections

- Via:
- 1 connector M12 (male), 5- or 8-pin
 - 2 connectors M12 (male + female), 8-pin in each case
 - 2 connectors M12 (male + female), 5-pin in each case (Variant 50 in CANopen sensor NBN65 order code format)
 - 1 or 2 cables

Electrical connection at the mating connector



Connection via cable

Colour of wire	Function
red	Power supply + V_B
blue	Power supply - V_B
white	CAN_High
brown	CAN_Low
grey	CAN_GND
green	CAN_High #2 (Bus-Out, if realized)
yellow	CAN_Low #2 (Bus-Out, if realized)
pink	CAN_GND #2 (Bus-Out, if realized)

The pin assignment can be found in the connection assignment which is enclosed with each device.

Connector male / female, 5 - pins

PIN	Function
1	CAN_GND
2	Power supply + V_B
3	Power supply - V_B
4	CAN_High
5	CAN_Low

Connector male / female, 8 - pins

PIN	Function
1	Power supply + V_B
2	Power supply - V_B
3	CAN_High
4	CAN_Low
5	CAN_GND
6	not connected
7	not connected
8	not connected

Accessories

- Mating connector (EMC) **STK5GP90** (M12, 5 pin male connector (pin), A-coded)
- Mating connector (EMC) **STK5GS56** (M12, 5 pin female connector (socket), A-coded)
- Mating connector (EMC) **STK8GP99** (M12, 8 pin male connector (pin), A-coded)
- Mating connector (EMC) **STK8GS54** (M12, 8 pin female connector (socket), A-coded)

(Mating connectors have to be ordered separately)

Inclinometer NBN / S3

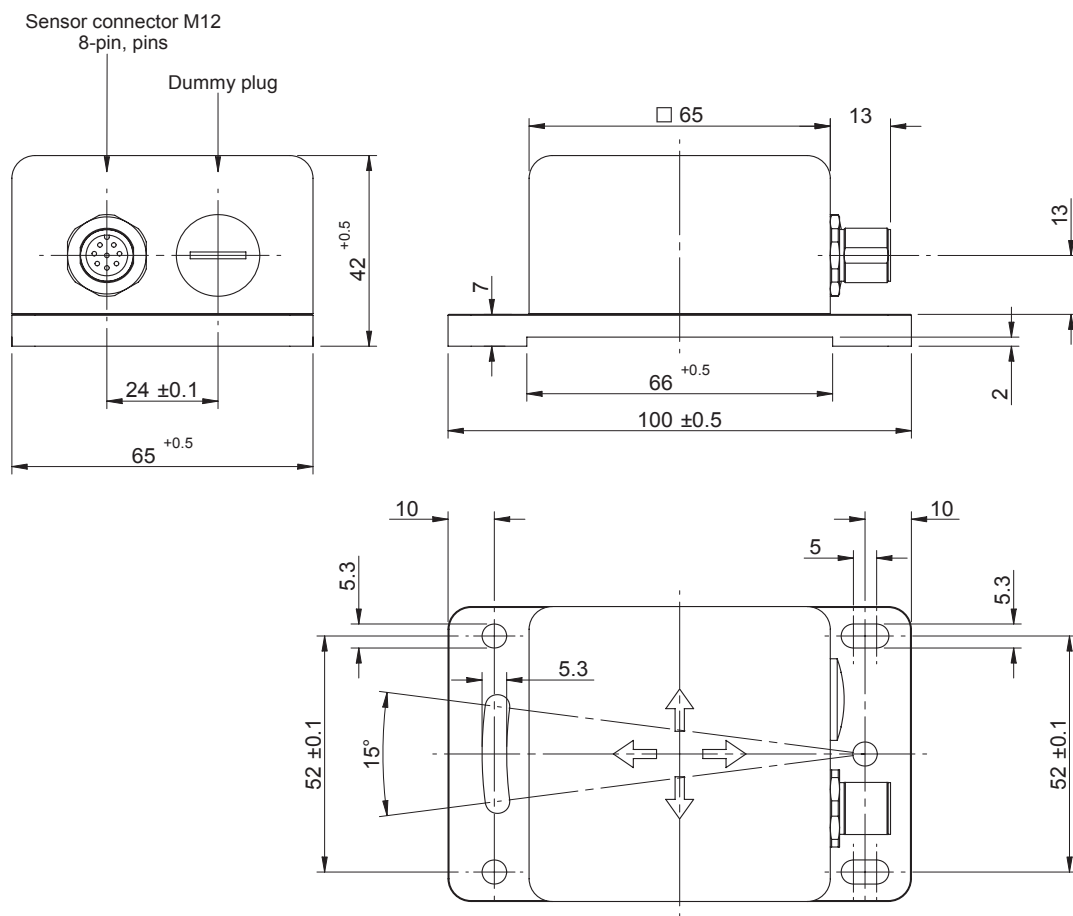
Installation drawing NBN with connector

Via round and slotted mounting holes for M5 bolts. When the inclination sensor NBN/S3 is used in a safety application the slots are not allowed to use: Adjustment may get lost when screws are not tight.

Fasteners are not enclosed in the scope of delivery.

No dummy plug in case of two connectors.

Dimensions in mm



Materials used

- Aluminium housing: AlMgSi1
- Stainless steel housing: 1.4305
or: 1.4404
- Connector/cable gland: Ms, nickel plated
or: stainless steel
- Sealing rings: NBR

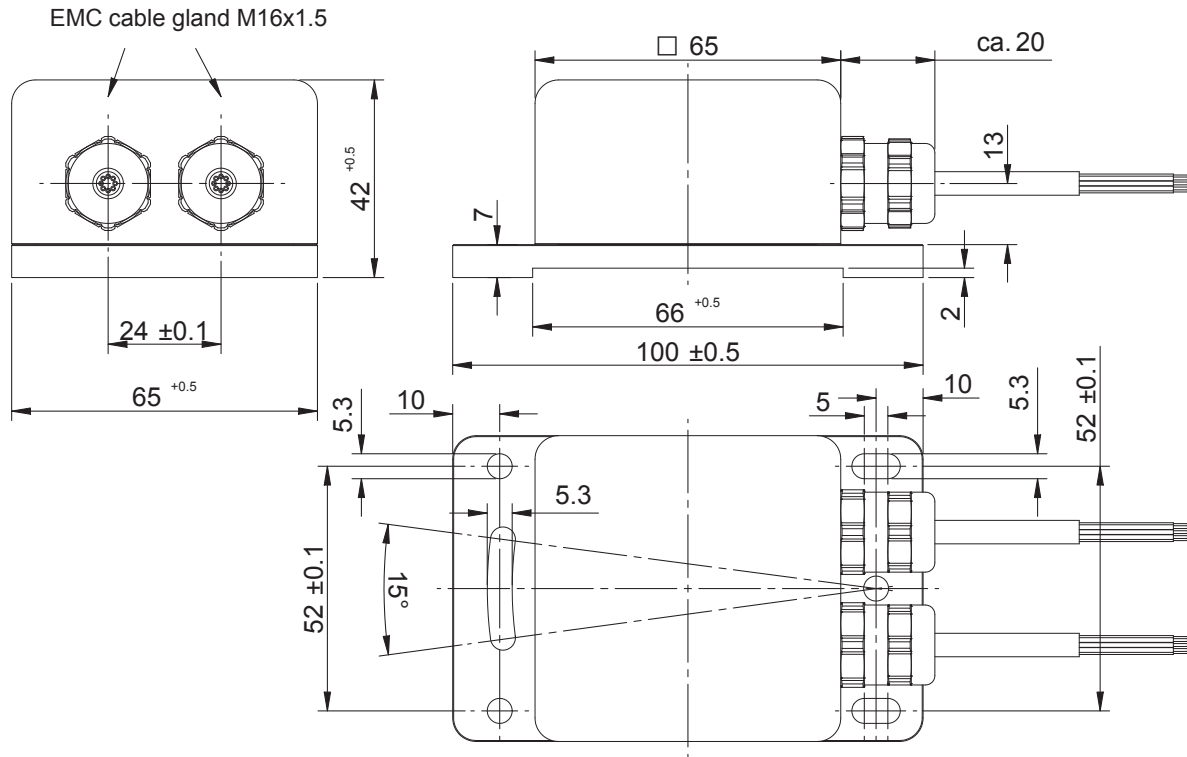
Inclinometer NBN / S3

Installation drawing

NBN with cable

Dimensions in mm

Version IP67 with 2 x cable



Materials used

- Aluminium housing: AlMgSi1
- Stainless steel housing: 1.4305
or: 1.4404
- Connector/cable gland: Ms, nickel plated
or: stainless steel
- Sealing rings: NBR

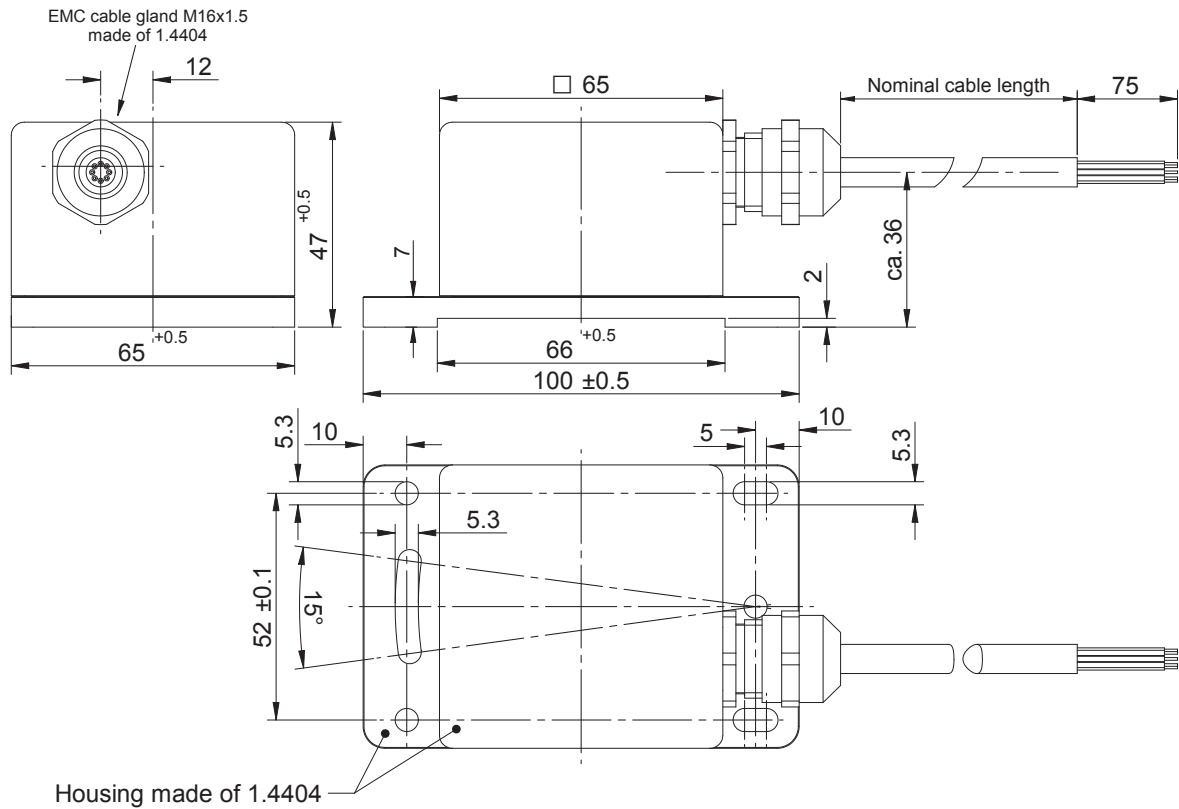
Inclinometer NBN / S3

Installation drawing

NBN with cable - IP69K

Dimensions in mm

Version IP69K with 1 x cable



Materials used

- Aluminium housing: AlMgSi1
- Stainless steel housing: 1.4305
or: 1.4404
- Connector/cable gland: Ms, nickel plated
or: stainless steel
- Sealing rings: NBR

Inclinometer NBN / S3

Installation positions and measurement axis assignment

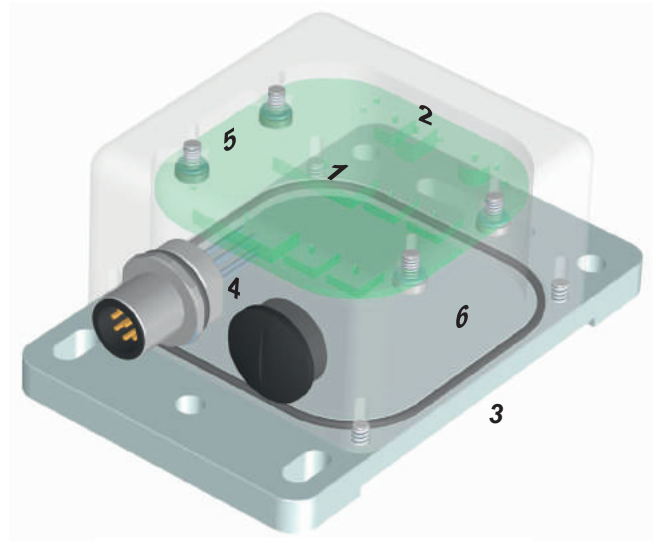
See page 7: Available types

Installation position TOP 1... 6 of the 1- or 2-axis inclinometer must be taken into consideration on assignment or selection of the **measurement axes**. The installation positions specified below define the measurement axes and measuring range centre for x, y and z.

Which of housing surfaces 1 to 6 is to point upwards must be specified in the order number for the NBN65 (see figure on the right). The installation position is clearly marked on each device ('TOP'). This surface/edge must point upwards.

Only 2 of 3 axes are selectable. The installation position determines these axes.

Signal path: with the CW setting, the prefixes in the figures below specify the direction of rotation in which the output values increase positively during inclination measurement. This is accordingly reversed with the setting CCW.

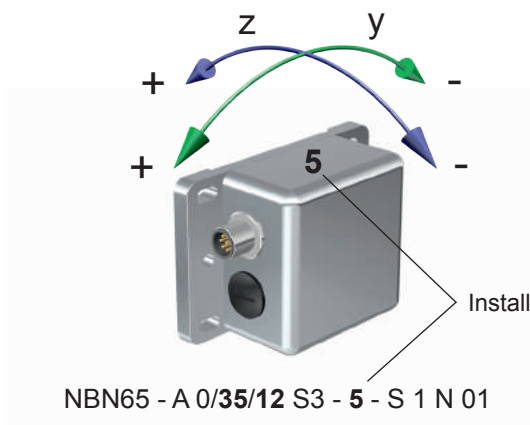


1: Upper side	2: Rear side	3: Lower side
4: Connector side	5: Left side	6: Right side

E.g. NBN 65 - A xx / yy / zz S3 - 1 - S 1 N 50: TOP1

In this example, circumstances necessitate the installation of the inclinometer in installation position "5".

The y axis with a range of $\pm 35^\circ$ to be measured and the z axis with a range of $\pm 12^\circ$ to be measured are required for measurement.



Installation position 5 (with reference to the upper side)

NBN65 - A 0/35/12 S3 - 5 - S 1 N 01

- z-axis = $12^\circ (\pm 12^\circ)$
- y-axis = $35^\circ (\pm 35^\circ)$
- x-axis = 0° (As the x axis is not available in this installation position, it is specified as 0)

Inclinometer NBN / S3

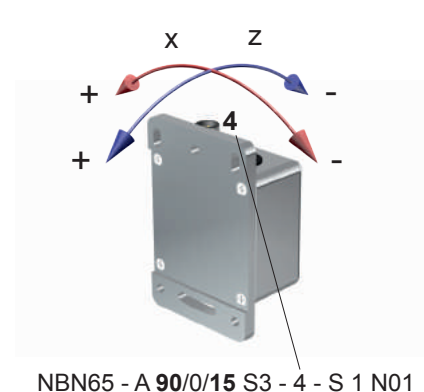
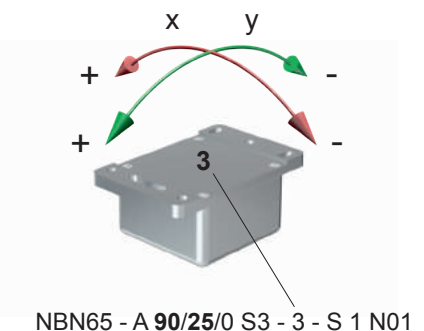
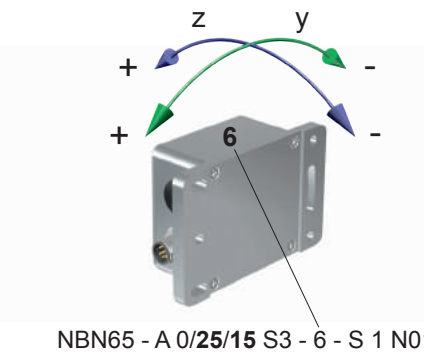
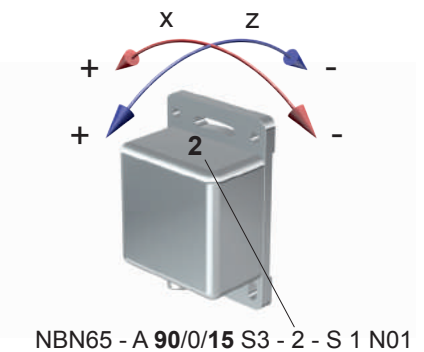
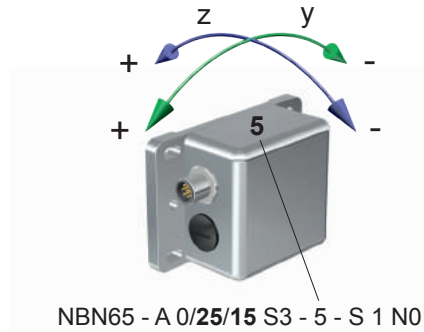
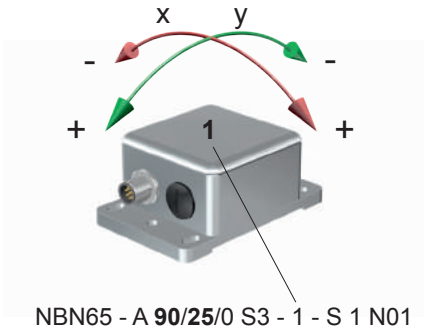
Further examples for installation positions

See page 7: Available types

Further examples which refer to the assumed example measuring angles.

$$x = \pm 90^\circ \quad y = \pm 25^\circ \quad z = \pm 15^\circ$$

It is to be noted that the installation position always represents the device surface which is viewed from above. In the various illustrations, this is indicated with the bold number and must be specified on ordering under all circumstances.



Ordering aid (See page 7: Available types)

Model NBN65 with CANopen safety interface

NBN	65	-	°	°	°	-	-	-	N	01
Model	Design form	Housing material	x axis	y axis	z axis	Profile (CANopen)	Installation position	Connector / cable	Connection (single/double)	CANopen Variant *
			Only two axes can be selected. The undesired axis is specified as 0°.							

* Variant 01 contains the standard version according to the data sheet. If this version does not meet your wishes, please talk to one of our customer service advisors.