

# 3 Legged Closed Centre Hydraulic Chucks

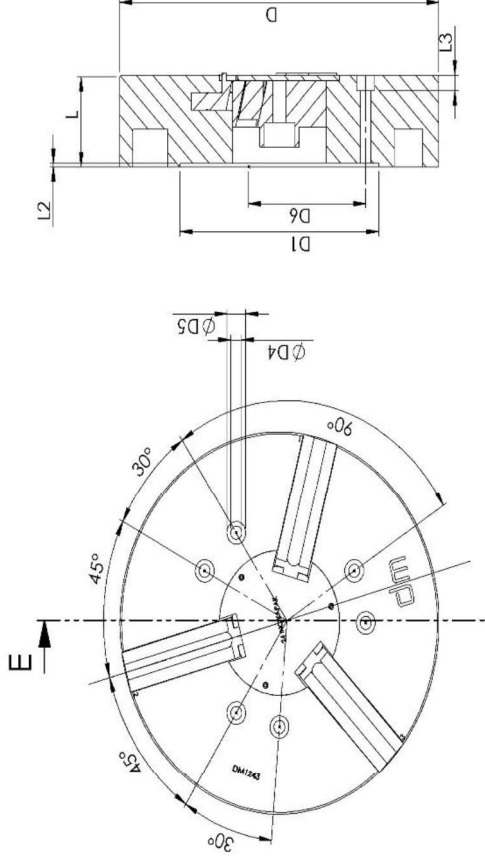


## Standard accessory

- 1 Set Standard soft feet
- 1 Set T nut (Connection Lug)
- ISO A Adapter (Connection Flange)
- Connection bolts 12/9
- Puller nut

## 3 Legged Closed Centre Hydraulic Chucks

All parts are hardened by heat treatment and the working surfaces are ground. It has high rigidity, precision and strength properties. Standard connection flange ISO -A (Flange) adapters and soft feet included in the box .The guarantee is 12 months.



unit:mm

product	D	D1	D2	D3	D4	D5	D6	L	L2	L3	Product Code	Foot Stroke	Maximum RPM	Maximum Tensile Force	Maximum Compression Force	Piston Stroke	Weight
DM1183	450	300	-	-	24	35	235	114	6	30	DM1183	16	2100	91	186	40	124
DM1213	530	380	-	-	24	35	330,2	125	6	30	DM1213	16	1940	82	273	35	180
DM1243	610	380	-	-	21	36	330,2	125	6	25	DM1243	16	1760	82	273	35	223