



Lightweight and quick to deploy, the inflatable Mass Decontamination Unit from MFC International allows for rapid response in a decontamination scenario.

Fully inflatable, the Decontamination Unit can be set up in a matter of minutes, and will stay standing without continuous inflation. With no mechanical framework the shelters are lightweight to transport and compact to store.

The mass Decontamination shower is internally partitioned into three lanes (male, female & assisted casualty), with pre and post decon changing areas.

Optional raised floor panels prevent contact with contaminated shower wash-off, which is collected in a chemically resistant sump. Sleeves for pumped extraction of contaminated water are included as standard.

Showers can be used on hard or soft standing, and guy ropes are provided for securing in position during inclement weather.

FEATURES

- Lightweight and easily portable
- Will be set up within a matter of minutes and will stay standing without continuous inflation
- The Mass decontamination unit is internally partitioned into three lanes with pre and post decon changing rooms
- Optional raised floor panels prevent contact with contaminated shower wash off which is collected in a chemically resistant sump
- Sleeves for pumped extraction of contaminated water are included as standard
- Can be used on hard or soft standing
- Minimal training, servicing and maintenance costs

USED FOR

- Decontamination scenarios

SUPPLIED WITH

- Valise
- Repair kit
- Inflation hose - 1m (for use with 8 bar regulator)

OPTIONS & ACCESSORIES

- Customer branding
- Electric inflater
- 8 bar regulator

TECHNICAL DATA

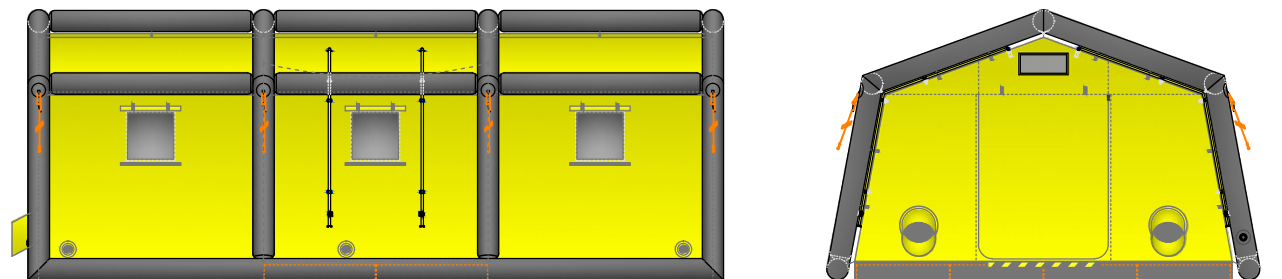
Mass Decon Unit

Product Code	DSW026
Length (cm)	750
Int. Length (cm)	730
Width (cm)	470
Int. Width (cm)	410
Height (cm)	290
Int. Height (cm)	260
Int. Floor Area (sq.m)	30
Air Requirements (ltr)	3800

Mass Decon Unit

Max. Water Inlet Pressure (bar)	10
Recommended Pump Flow-Capacity (ltrs)	10 ltr/min per nozzle
Number of Shower Nozzles	12
Number of Shower Hose Connectors	4
Number of Shower Brush Connectors	2
Number of Heater Sleeves	2
Number of Cable sleeves	6
Pack Size (cm)	160 x 80 x 60
Weight (kg)	110

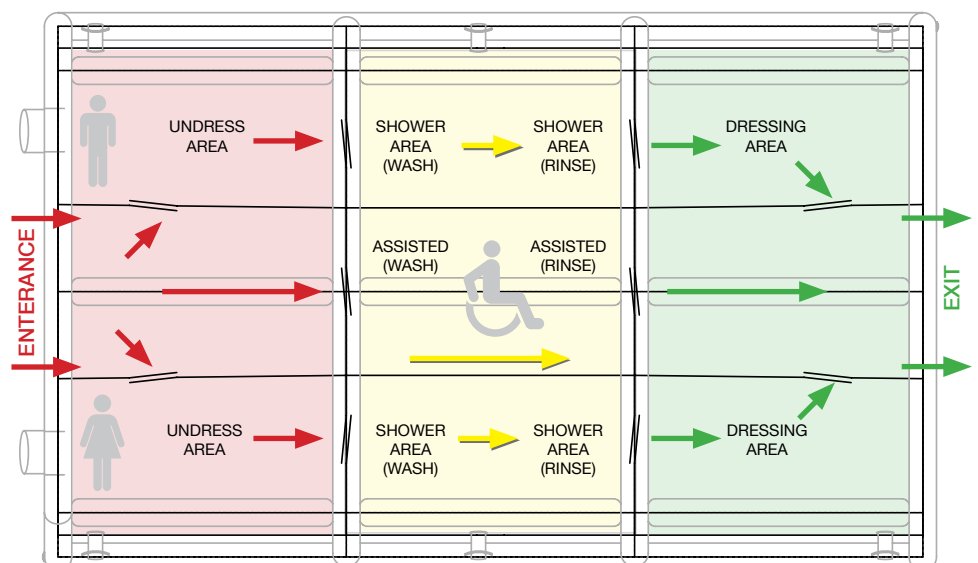
DETAIL DRAWING



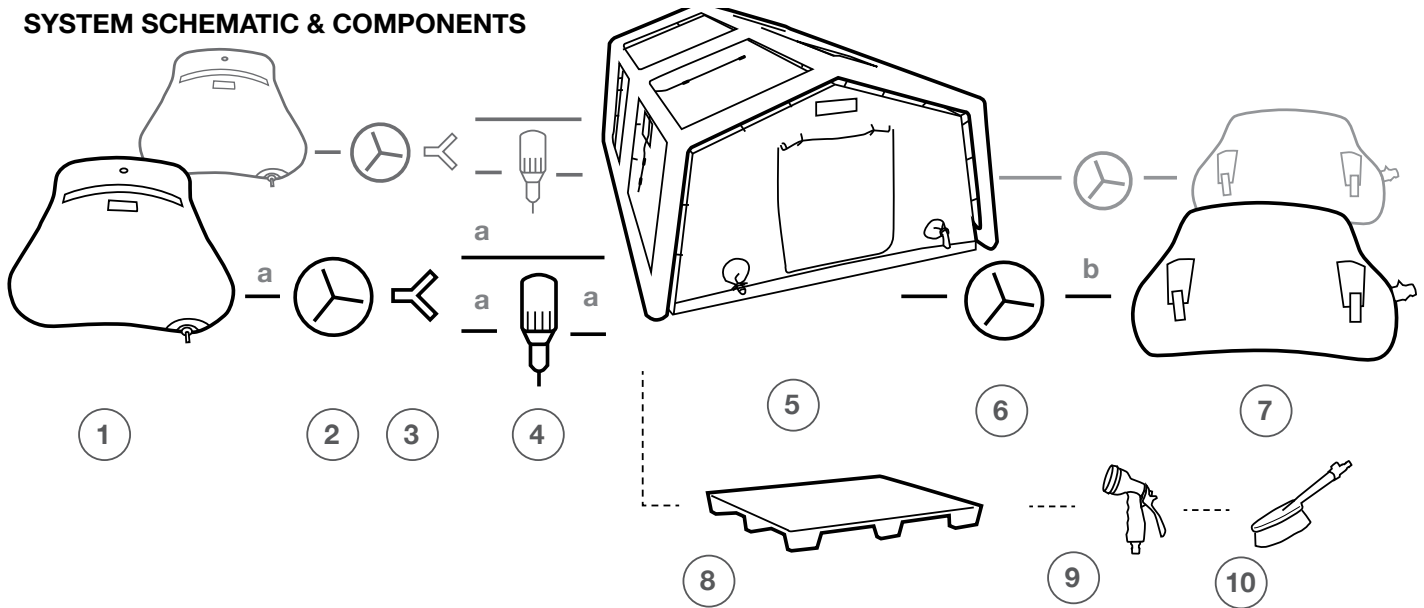
INTERNAL LAYOUT

The diagram on the right shows the different compartments of the Mass Decontamination shower. It also shows how the user enters the decontamination shower and shows the direction of travel. The areas are colour coded:

- **Red** - designates the contaminated area where the user will enter the unit
- **Yellow** - designates the area where the user will wash off any contamination
- **Green** - designates the clean, post decontamination area



SYSTEM SCHEMATIC & COMPONENTS



Components

1



Clean Water Pillow Tank (1000ltr)
 (2x WS0028)
 - see website for other sizes

2



Inlet Water Pump
 (2x DSA002)

3



Dosatron with Trolley
 (2x DSA005)

4



Y-Peice
 (2x DSA009)

5



Mass Decon Shower
 (Yellow shower DSW026)

6



Submersible Pump
 in Single Decon
 (2x DSA004)

7



Waste Water Pillow Tank (1000ltr)
 (2x WS0017)
 - see website for other sizes

Accessories

8



Pallets for Mass Decon Floor
 (x6 140027)
 Pallet with submersible pump cut-out
 (x2 DSA007)

9



Spray Gun
 (DSA008)

10



Hand Brush & Hose
 (180035)

Hoses (with Camlock Couplings)

a Green Hose - Clean Water (2m)
 Female to Female Camlock Hose
 (8x 630004)

b Clear Hose - Waste Water (3.5m)
 Female to Female Camlock Hose
 (2x 630006)

N.B. CAMLOCK couplings used on components and hoses as standard, other couplings are available on request.