

BEV



DIBAL
INDICATOR
DMI-600 SERIES



1
LOAD
CELL



METROLOGICAL
VERIFICATION
OPTIONAL (EU)



Main characteristics

- Set consisting of weighing platform, column and weight indicator.
- 1 load cell.
- Valid for legal metrology (see section on equipment metrological verification).

Functions

- Weight-Tare-Accumulation.
- Piece counting.
- Checkweighing (minimum-target-maximum).
- Dosing: 1 product / 2 speeds (with 4 Input/Output option. Only available for model DMI-610 stainless steel).
- Checkweighing (with 4 Input/Output option. Only available for model DMI-610 stainless steel).
- 4-20 mA / 0-10 V analog output (optional, only available for model DMI-610 stainless steel).
- ALIBI memory optional (pending type approval).

Construction

- 3 platform versions available:
 - A- Iron structure, aluminium load cell and stainless steel plate.
 - B- Stainless steel structure, aluminium protected load cell and stainless steel plate (not suitable for saline environments).
 - C- Stainless steel structure, load cell and plate.
- Height adjustable feet.
- 3 weight indicator versions available:
 - DMI-610 Basic ABS.
 - DMI-610 ABS.
 - DMI-610 S. Steel.See section on weight indicators and repeaters.

Communications

- 2 RS-232 ports, 1 of them selfpowered (5 V / 500 mA).
- Ethernet (TCP/IP and UDP) (optional).
- RS-485/RS-422 optional (only available for the DMI-610 stainless steel).
- Several communications protocols available (contact us).

Simultaneous options

- DMI-610 Basic ABS: no options allowed.
- DMI-610 ABS / S. Steel: 1 option. Internal rechargeable battery, Ethernet communication, 4 Input/Output and Analog output options cannot be simultaneous.

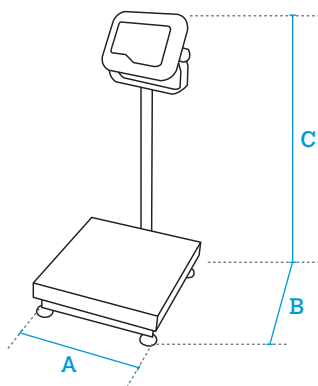
Possible integration with other equipment

- External printer (Epson protocol).
- Dibal LP-3000 manual weigh-price labeller.
- Cely RD-4 repeater (or another DMI as repeater).

PC Software

- DCM: For configuration, back-up, management and processing of data received by the weight indicators.

DIMENSIONS



DATA IN mm

A	B	C [min.]		C [max.]	
		DMI-610 BASIC ABS DMI-610 ABS	DMI-610 S. STEEL	DMI-610 BASIC ABS DMI-610 ABS	DMI-610 S. STEEL
300	300	540	580	555	595
400	400	840	880	855	895
600	600	840	880	855	895
800	800	840	880	855	895

MODELS:

Platform Version A

Iron Structure - Aluminium Load Cell - Stainless Steel Plate

DIMENSIONS (MM)	RANGE (KG) (3,000 div.)	DMI-610 BASIC ABS	DMI-610 ABS	DMI-610 S. STEEL
		Ref.	Ref.	Ref.
300 x 300	6	7BRA0A0N1W380___	7BRA3A0N1W380___	7BRA3A0I1W380___
	15	7BRA0A0N1N380___	7BRA3A0N1N380___	7BRA3A0I1N380___
	30	7BRA0A0N1Y380___	7BRA3A0N1Y380___	7BRA3A0I1Y380___
	60	7BRA0A0N1C380___	7BRA3A0N1C380___	7BRA3A0I1C380___
400 x 400	15	7BRA0A0N1N480___	7BRA3A0N1N480___	7BRA3A0I1N480___
	30	7BRA0A0N1Y480___	7BRA3A0N1Y480___	7BRA3A0I1Y480___
	60	7BRA0A0N1C480___	7BRA3A0N1C480___	7BRA3A0I1C480___
	150	7BRA0A0N11480___	7BRA3A0N11480___	7BRA3A0I11480___
600 x 600	60	7BRA0A0N1C680___	7BRA3A0N1C680___	7BRA3A0I1C680___
	150	7BRA0A0N11680___	7BRA3A0N11680___	7BRA3A0I11680___
	300	7BRA0A0N13680___	7BRA3A0N13680___	7BRA3A0I13680___
800 x 800	150	7BRA0A0N11880___	7BRA3A0N11880___	7BRA3A0I11880___
	300	7BRA0A0N13880___	7BRA3A0N13880___	7BRA3A0I13880___
	600	7BRA0A0N16880___	7BRA3A0N16880___	7BRA3A0I16880___

Platform Version B

Stainless Steel Structure - Aluminium Protected Load Cell - Stainless Steel Plate

DIMENSIONS (MM)	RANGE (KG) (3,000 div.)	DMI-610 BASIC ABS			DMI-610 ABS			DMI-610 S. STEEL		
		Ref.			Ref.			Ref.		
300 x 300	6		7BCA0A0N1W380_		7BCA3A0N1W380_		7BCA3A0I1W380_			
	15		7BCA0A0N1N380_		7BCA3A0N1N380_		7BCA3A0I1N380_			
	30		7BCA0A0N1Y380_		7BCA3A0N1Y380_		7BCA3A0I1Y380_			
400 x 400	15		7BCA0A0N1N480_		7BCA3A0N1N480_		7BCA3A0I1N480_			
	30		7BCA0A0N1Y480_		7BCA3A0N1Y480_		7BCA3A0I1Y480_			
	60		7BCA0A0N1C480_		7BCA3A0N1C480_		7BCA3A0I1C480_			
	150		7BCA0A0N11480_		7BCA3A0N11480_		7BCA3A0I11480_			
600 x 600	60		7BCA0A0N1C680_		7BCA3A0N1C680_		7BCA3A0I1C680_			
	150		7BCA0A0N11680_		7BCA3A0N11680_		7BCA3A0I11680_			
	300		7BCA0A0N13680_		7BCA3A0N13680_		7BCA3A0I13680_			
800 x 800	150		7BCA0A0N11880_		7BCA3A0N11880_		7BCA3A0I11880_			
	300		7BCA0A0N13880_		7BCA3A0N13880_		7BCA3A0I13880_			

Platform Version C

Stainless Steel Structure - Stainless Steel Load Cell - Stainless Steel Plate

DIMENSIONS (MM)	RANGE (KG) (3,000 div.)	DMI-610 S. STEEL		
		Ref.		
300 x 300	6		7BSA3A0I1W380_	
	15		7BSA3A0I1N380_	
	30		7BSA3A0I1Y380_	
	60		7BSA3A0I1C380_	
400 x 400	15		7BSA3A0I1N480_	
	30		7BSA3A0I1Y480_	
	60		7BSA3A0I1C480_	
	150		7BSA3A0I11480_	
600 x 600	60		7BSA3A0I1C680_	
	150		7BSA3A0I11680_	
	300		7BSA3A0I13680_	
800 x 800	150		7BSA3A0I11880_	
	300		7BSA3A0I13880_	
	600		7BSA3A0I16880_	