



Automation & Robotics

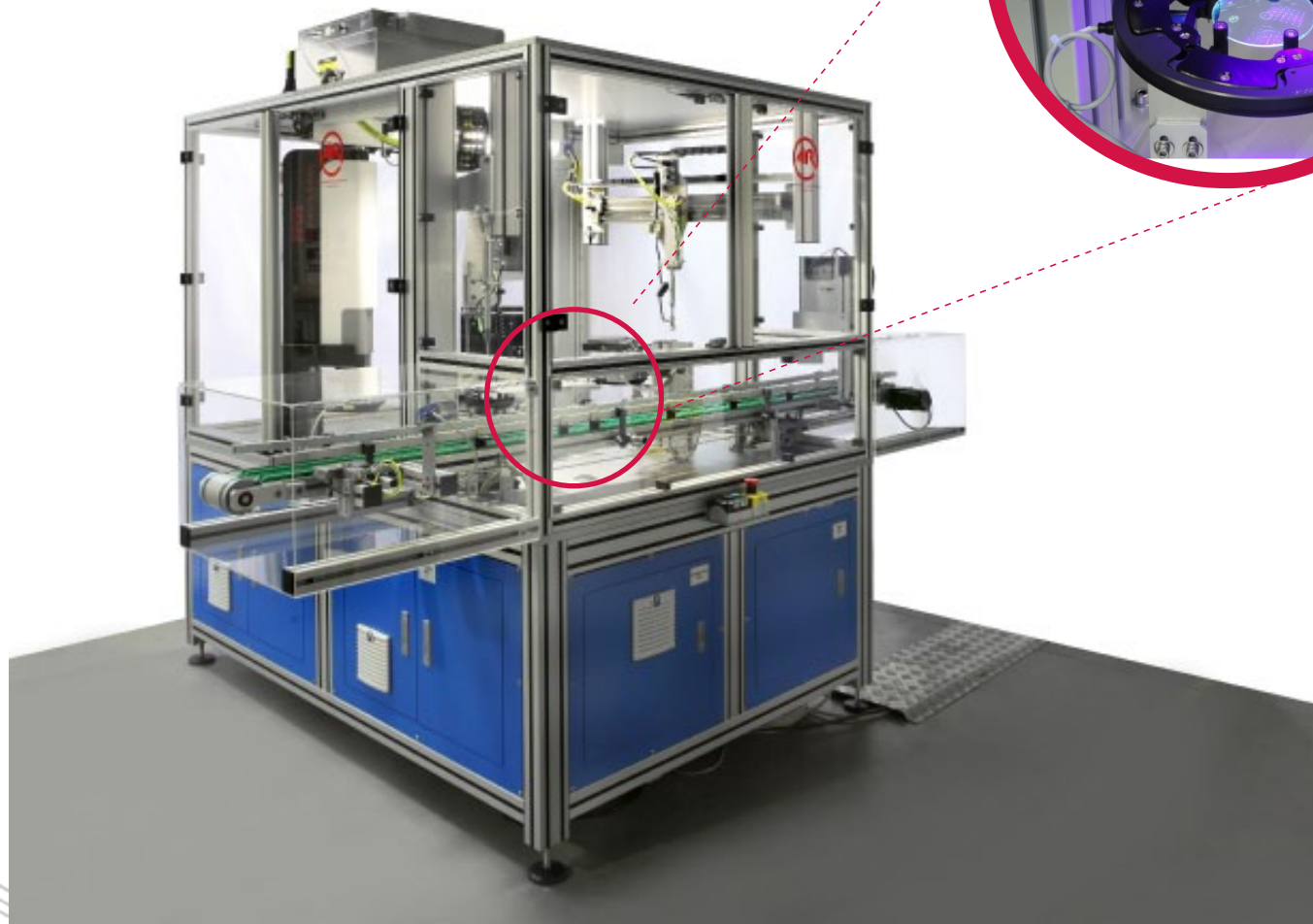
AutoInker For Prescription Lenses

The AutoInker is the ideal inking solution for the prescription labs producing at least 500 jobs/day.

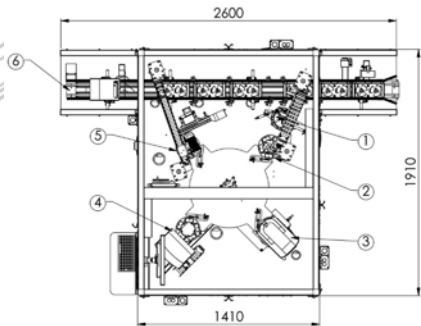
The PPOS integrated in the machine detects the μ -engravings of the progressive lenses (any shape, even cut lenses). The position of the lens is taken into account for the digital inking operation.

Because the A&R AutoInker is task specific, and the system has a small footprint, you can easily integrate it into the lab, either directly in the final control or after edging (inking of cut lenses).

The AutoInker is an excellent investment for a modern lab with a rapid payback!



Main Features



1. Centering platform
2. Turntable loading
3. Automatic position reading (PPOS)
4. Digital Inking station
5. Curing station & lens unloading
6. Conveyor belt - Ticket printer

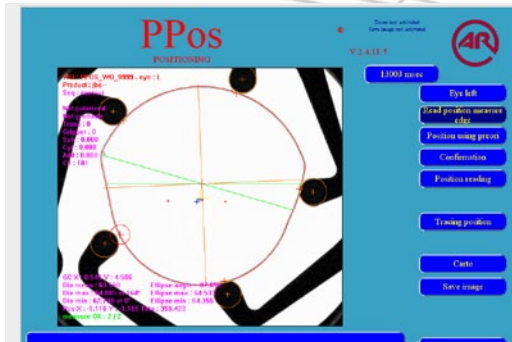
Software : OMA/ VC-DCS standard

Dimensions :

- L = 191cm
- W = 140 cm
- H = 192 cm (without Laminar flow box)

Type MTVP4

Technical Specifications



Range

- Diameter (via shape measurement) : 44 to 80 mm
- NB : grippers also designed to handle cut lenses
- Max. power for positive axis : +10.00D
- Min. power for negative axis : -10.00D
- Cylinder : 0 to +4.00D

Accuracy

- Accuracy of Digital inking according to the reference marks : 0.25 mm

Capacity : 200 jobs/hour

Controlled by Industriel PC

Power supply: 2kVA - 1x230 VAC + N + PE (50/60 Hz)*
Air supply: 6 bars - 100l/min

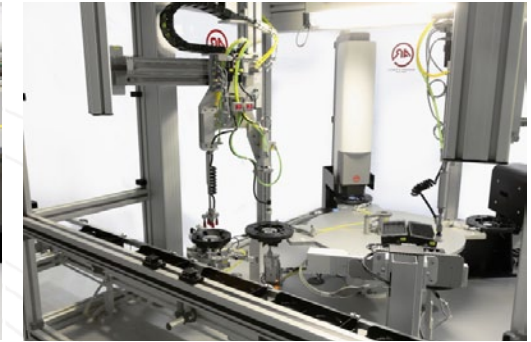
* compatible for non-European power supply on request

Benefits



- Printing flexibility (unlimited number of designs)
 - High resolution printing (720 dpi)
 - Dual step printing
 - Optimized LED pinning and curing
 - UV Ink (safe components, anti ghosting, adherence, aspect, ...)
 - Automatic L/R inversion check and correction
 - High capacity
 - Auto-calibration with reference lenses
 - Auto-train and search of μ -engravings (PPOS)
 - Shape measurement (no printing outside the shape for cut lenses)
 - Remote maintenance (internet)
 - Feedback for statistics*
 - Userfriendly interface
 - Interactive dialog and diagnostics
 - Multi lingual diagnostics & Interface
 - Adaptable to the customer's tray
- (* required for ISO9000 certification)

Options



- Laminar flow box
- Table for rejected lenses
- Inking alignment check



BENEFITS

- Automatic detection of the μ -engravings
- Automatic L/R inversion check and correction
- Shape measurement for cut lenses
- Unlimited images for printing

The sale of all of Automation & Robotics products is subject to the company's applicable Warranty and Limitations of Warranty and to the company's Standard Terms and Conditions of Sale.

Parc industriel de Lambermont
Rue des Ormes 111
B-4800 Verviers - Belgium

Tél.: +32 (0)87 322 323
Fax: +32 (0)87 310 406
e-mail: aut-rob@ar.be

T.V.A.: BE 0423.637.107
R.P.M.: Verviers
www.ar.be

