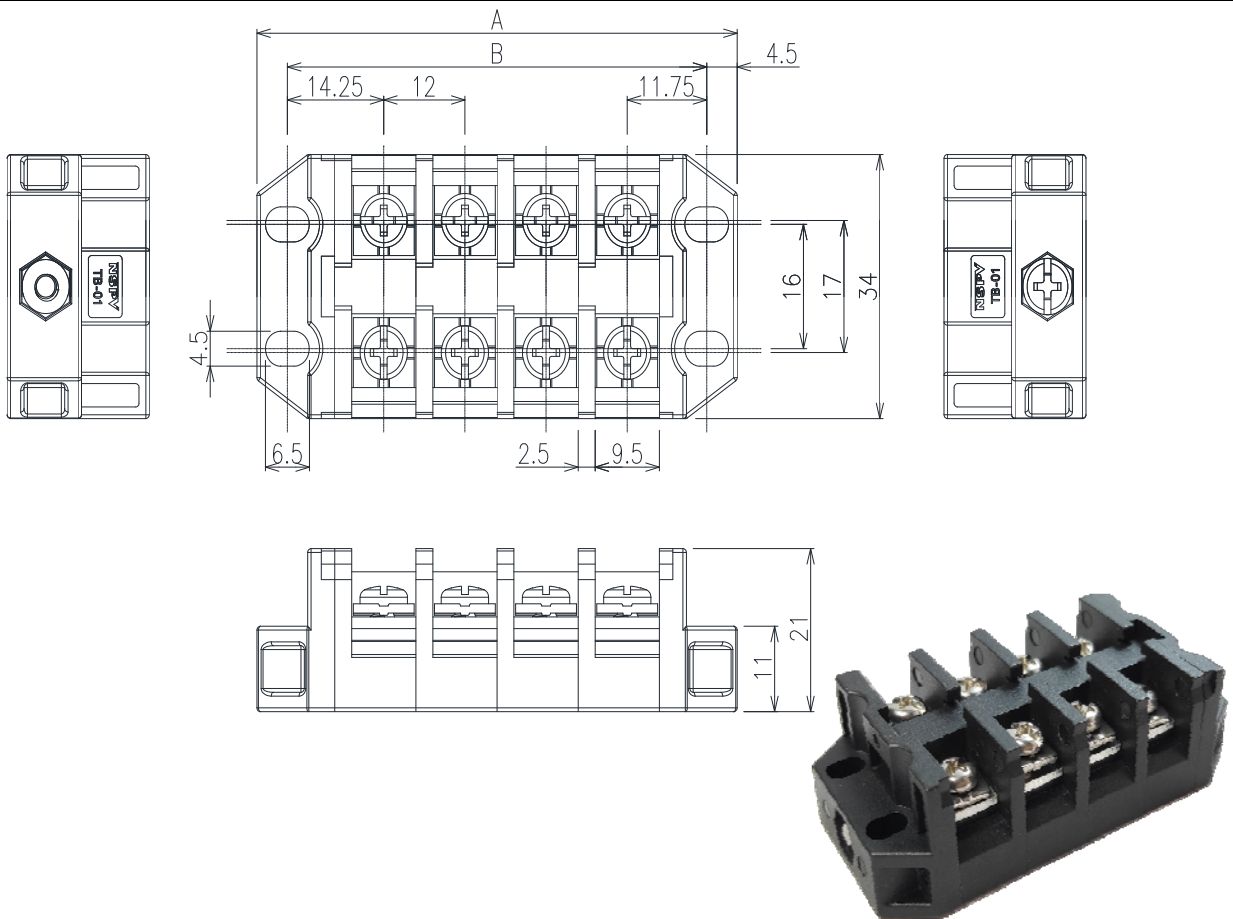


TB接线座2-20P TB Terminal Block 2-20P

产品规格 Product Specifications			
绝缘材料 Insulation material	PBT	环境温度范围 Ambient temperature range	-40°C...+90°C
额定电流/电压(直流) Rated current/Voltage(DC)	Max.:50A/1000VDC	储存温度 Storage temperature	-40°C...+90°C
额定电流/电压(交流) Rated current/Voltage(AC)	Max.:60A/690VAC	连接方式 Connecting system	锁接式 Lock connection
测试电压 Test voltage	4kV(50Hz,1min)	温度上升 Rise in temperature	30°C
金属导体材料 Contact material	铜,镀锡 Copper,Tin plated	螺帽锁紧力 Nut cap locking force	0.2-0.6Nm
阻燃等级 Flame class	UL94-V0		

图示: Drawing:



POLES	2	3	4	5	6	7	8	9	10	11
A	47	59	71	83	95	107	119	131	143	155
B	38	50	62	74	86	98	110	122	134	146
POLES	12	13	14	15	16	17	18	19	20	
A	167	179	191	203	215	227	239	251	263	
B	158	170	182	194	206	218	230	242	254	