

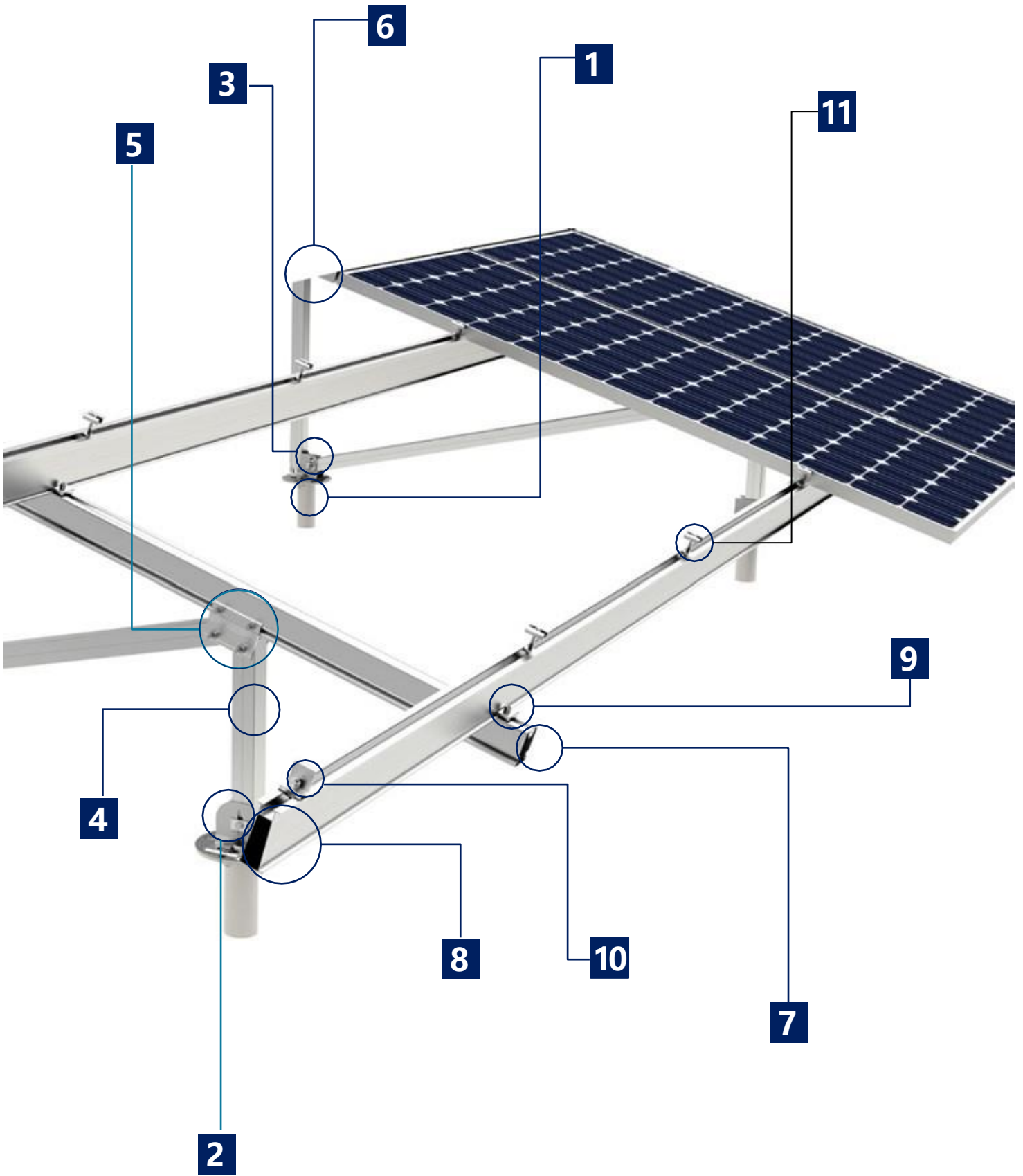
Solar Mounting Solutions

Factory Customize
production



Solution-Ground Mount Stand

▶ Exploded view



Solution-Ground Mount Stand

▶ Part List for One Set

Part No.	Picture	Quantity	Material
1		4	Hot Dip Galvanizing
2		2	Aluminum
3		2	Aluminum
4		6	Aluminum
5		2	Aluminum
6		2	Aluminum
7		2	Aluminum
8		2	Aluminum
9		8	Aluminum
10		2	Aluminum
11		4	Aluminum
Connection Accessories		14	Stainless Steel
		28	Stainless Steel

▶ Feature

Anti-Corrosive material and long life span

Safe and reliable design

Compatibility and flexibility

▶ Technical Data

Application: Landscape, Ground, Flat surface, flat rooftop.

Specification: Customize

Wind load : 60m/s Snow

load : 1.4kn/m²

Max wind speed: 216km/h=60m/s Tile

Degree Range : 0-45°

▶ Surface Treatment

Anodized silver/Black or Powder coating black , stainless steel on request



Anodized Silver



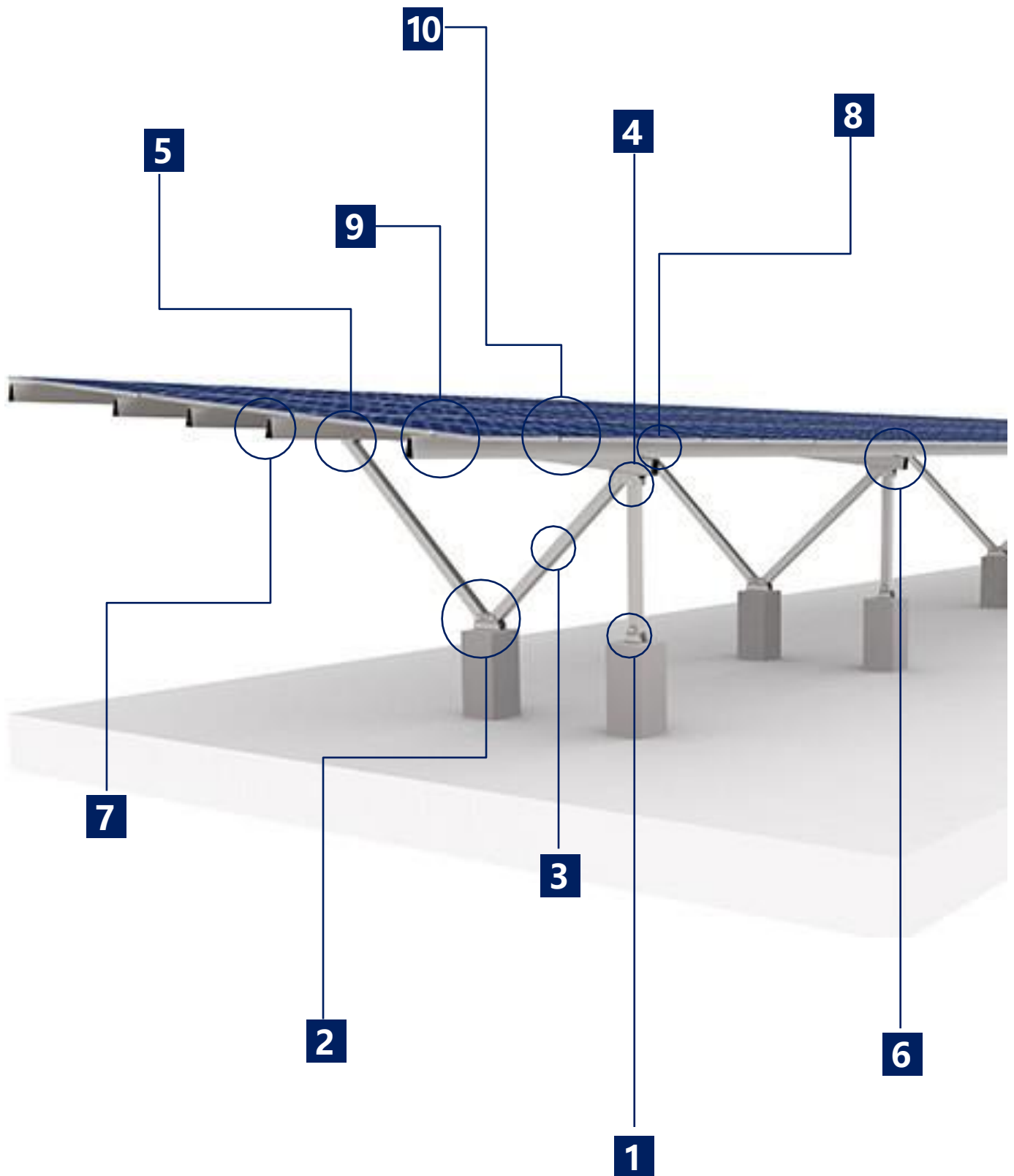
Anodized Black



Powder Coating Black

Solution-Carport Stand

▶ Exploded view



Solution-Carport Stand

▶ Part List for One Set

Part No.	Picture	Quantity	Material
1		2	Aluminum
2		2	Aluminum
3		6	Aluminum
4		2	Aluminum
5		2	Aluminum
6		2	Aluminum
7		2	Aluminum
8		8	Aluminum
9		2	Aluminum
10		4	Aluminum
Connection Accessories		14	Stainless Steel
		28	Stainless Steel

▶ Feature

- Multiple usages
- Safe and reliable design and quality
- Competitive cost

▶ Technical Data

Application: Landscape, Ground, Flat surface.

Specification : 1.5M*3M

Wind load : 60m/s Snow

load : 1.4kn/m2 Max

wind speed : 60m/s

Tile Degree Range : 0-15°

▶ Surface Treatment

Anodized silver/Black or Powder coating , stainless steel on request



Anodized Silver



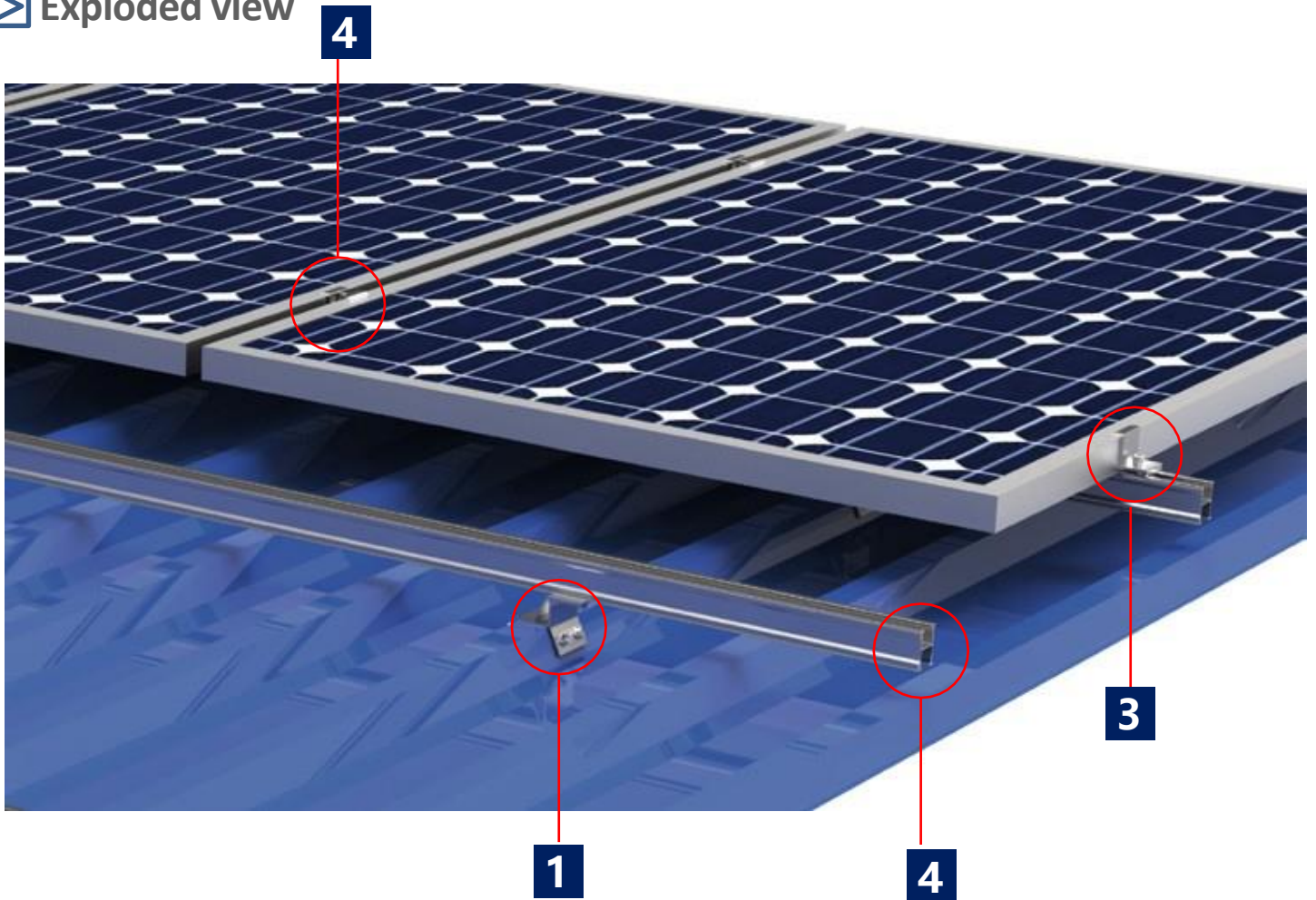
Anodized Black



Powder Coating Black

Solution-Roof Top Bracket

▶ Exploded view



▶ Part List for One Set

Part No.	Picture	Quantity	Material
1		4	Aluminum
2		2	Aluminum
3		2	Aluminum
4		4	Aluminum
Connection Accessories		34	Stainless Steel

▶ Feature

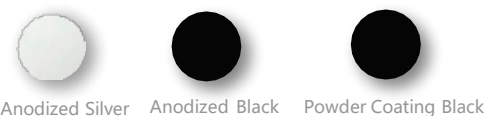
- Anti-Corrosive material and long life span
- Convenient and fast installation
- Competitive cost

▶ Technical Data

- Application: rooftop.
- Specification : 1.5M*3M
- Wind load : 60m/s Snow load : 1.4kn/m2
- Max wind speed: 216km/h=60m/s

▶ Surface Treatment

Anodized silver/Black or Powder coating , Stainless Steel on request



CERTIFICATE

ISO9001: Management System



Different Quality Certifications



OUR ADVANTAGE



- Own factory-OEM & ODM production
- Strict QC Systems
- Strong Engineering Support
- Highly Automated Manufacturing
- Cost-Effective Production
- Short Delivery Time
- Rich experience
- Large Capacity

Seidel Industrial Equipment Co., Ltd

 C1 No.1000 Jiu Jing Road, Jiu Ting County, Songjiang District, 201615 Shanghai P.R.C.



 + 86 21 3702 1776  www.seidel-ind.com  info@seidel-ind.com