

# Absolute encoder AH25S

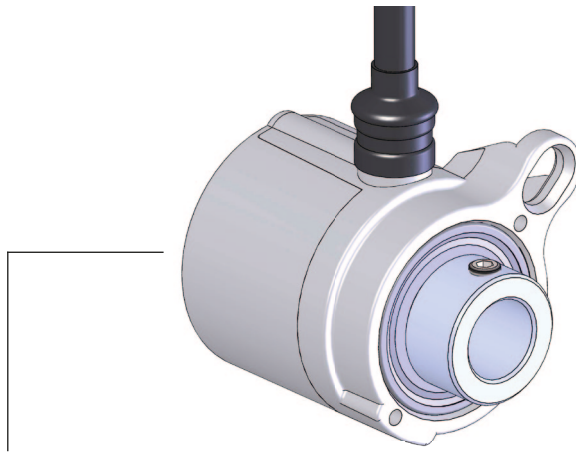


**SIKO GmbH**

**Address**  
Weihermattenweg 2  
79256 Buchenbach

**Telephone**  
+49 7661 394-0  
**Fax**  
+49 7661 394-388

**eMail**  
info@siko.de  
**Internet**  
www.siko-global.com



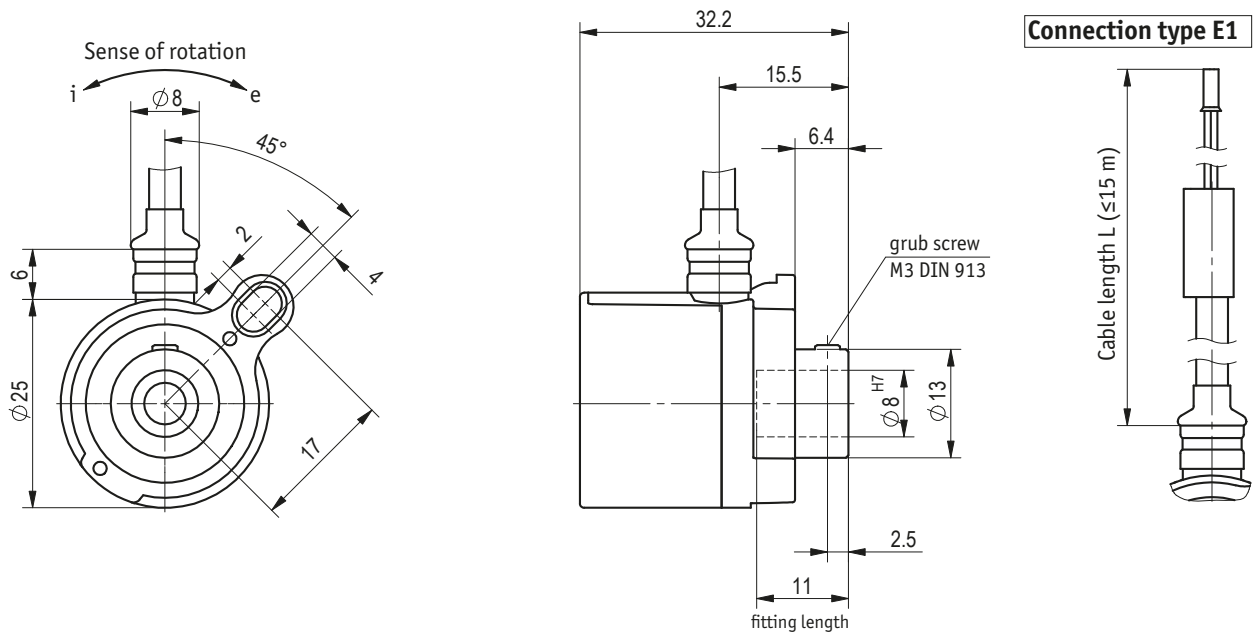
**Features:**

- absolute, analog miniature encoder
- easy mounting via 8 mm blind hollow shaft
- 0 ... 10 V, 0.5 ... 4.5 V, 0 ... 20 mA or 4 ... 20 mA interface
- wear-free sensorics
- high protection category IP65
- temperature range -40 ... 85 °C

Features	Order text	Additional information
Hollow shaft/diameter (in mm)	8 <b>A</b>	standard
Connection type	E1 <b>B</b> stripped cable ends	standard
Cable length (in m)	1,0 - 15,0 <b>C</b>	standard: 1,0
Output	0,5/4,5V <b>D</b> transducer 0,5 ... 4,5 V 0/10V <b>D</b> transducer 0 ... 10 V 0/20mA <b>D</b> transducer 0 ... 20 mA 4/20mA <b>D</b> transducer 4 ... 20 mA	
Measuring range	360° <b>E</b>	
Sense of rotation	i <b>F</b> clockwise increasing values e <b>F</b> counter-clockwise increasing values	

Your ordering:  -  -  -  -  -  -

# Absolute encoder AH25S



Pin assignment E1 with current output

Color	Belegung
white	GND
green	Iout
brown	+UB

Pin assignment E1 with voltage output

Color	Belegung
white	GND
green	Uout
brown	+UB

**Technical data**

Mechanical data:		Additional information
Shaft	copper-tin-alloy	
Housing	zinc die-casting	
Speed	≤6000 min <sup>-1</sup>	
Cable sheath	PUR	
Weight	~0.08 kg	(with 1 m cable)

**Electrical data:**

Operating voltage	12 ... 30 V	
Output voltage	0 ... 10 V	load against GND ≥1 kΩ (0/10V)
	0.5 ... 4.5 V	load against GND ≥1 kΩ (0,5/4,5V)
Output current	0 ... 20 mA	load against GND ≤500 Ω (0/20mA)
	4 ... 20 mA	load against GND ≤500 Ω (4/20mA)
Accuracy	±1°	at measuring range 360°
Cycle time	≤1 ms	
Starting time	<1 ms	

**System data:**

Failure rate	325 year(s)	at 60 °C (MTBF)
--------------	-------------	-----------------

**Ambient conditions:**

Ambient temperature	-40 ... 85 °C	
Storage temperature	-40 ... 85 °C	
Relative humidity	100 %	condensation admissible
Protection category	IP65	EN 60529
Shock resistance	500 ms <sup>2</sup> , 11 ms	EN 60068-2-27
Vibration resistance	<100 m/s <sup>2</sup> , 5 ... 150 Hz	EN 60068-2-6