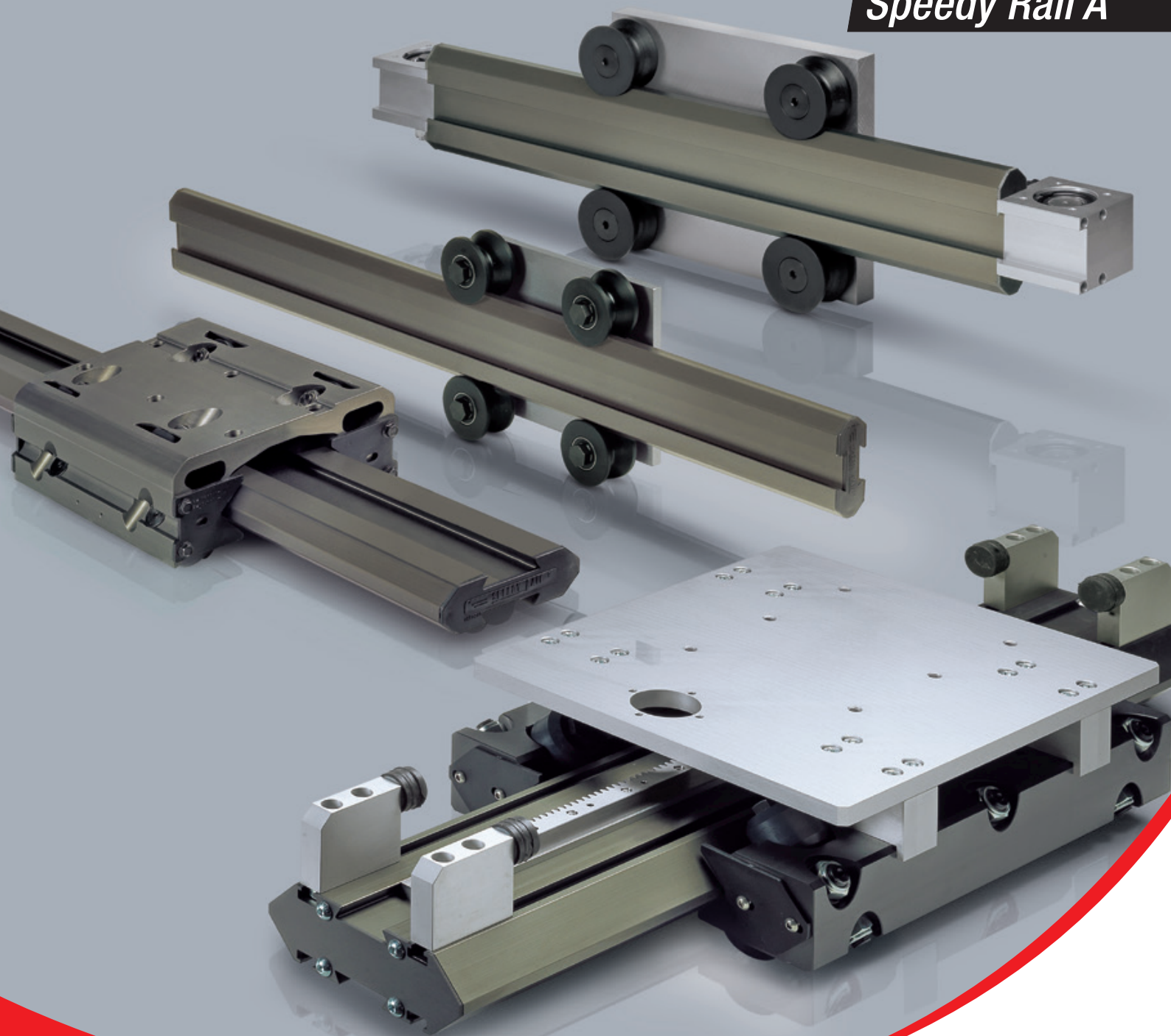


Speedy Rail

Speedy Rail A



Speedy Rail

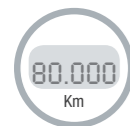
Speedy Rail A

Advantages



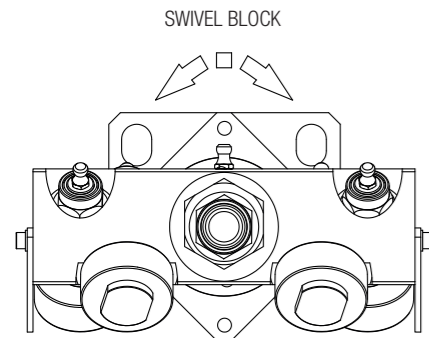
SPEEDY RAIL is a special self-supporting and self-aligning rail in extruded aluminum with deep hard anodized surface treatment that provides exceptionally high performance and load capacity with no maintenance or lubrication required. Providing total reliability even in dirty environments with uniquely quiet operation.

This product can be used as a linear guide or actuator.



High reliability up to 80,000 Km

Thanks to the deep anodized finish of the raceways, we can obtain a hardness of 700 HV for about 60 µm of depth. The swivel block also guarantees optimal distribution of the load between the rollers.



Self-supporting for greatest design freedom

Light, rigid structural profiles in aluminum do not require bases or structures and additional work and maintenance. All necessary components are available for mounting.



High technical performance

Supports speeds up to 15 m/s and acceleration up to 10 m/s² when outfitted in the version with cylindrical rollers. The lightweight profile guarantees high performance when in a fixed carriage, moving profile configuration.



High loads of over 3,000 Kg

For gantry configurations using sliders with 8 rollers.



Optimal reliability in dirty environments

The large sized rollers and the shape of the profile guarantees maximum efficiency even in more difficult environments. The roller coating in plastic compound includes possible hard impurities and residue of hot welds, which lengthens the lifespan of the system.



Absence of lubrication

The combination of aluminum profiles with rollers coated in plastic compound does not require any lubrication.



Uniquely quiet

The plastic roller coating guarantees a level of silence during operation that cannot be obtained with steel components.



Self-aligning system

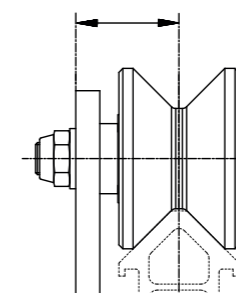
The ability to absorb misalignment up to ± 4 mm is guaranteed by the swivel mounting of the slider and up to 1.5 mm with V-shaped rollers.



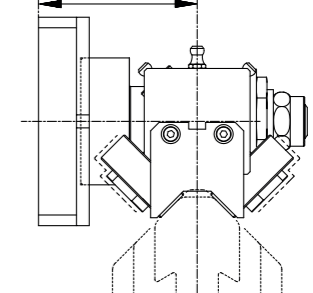
Use as a linear guide or actuator

In addition to the version with the idle carriage, the system is available with belt or rack and pinion drives.

AXIAL VARIATION MAX ± 1.5 mm



AXIAL VARIATION MAX ± 4 mm



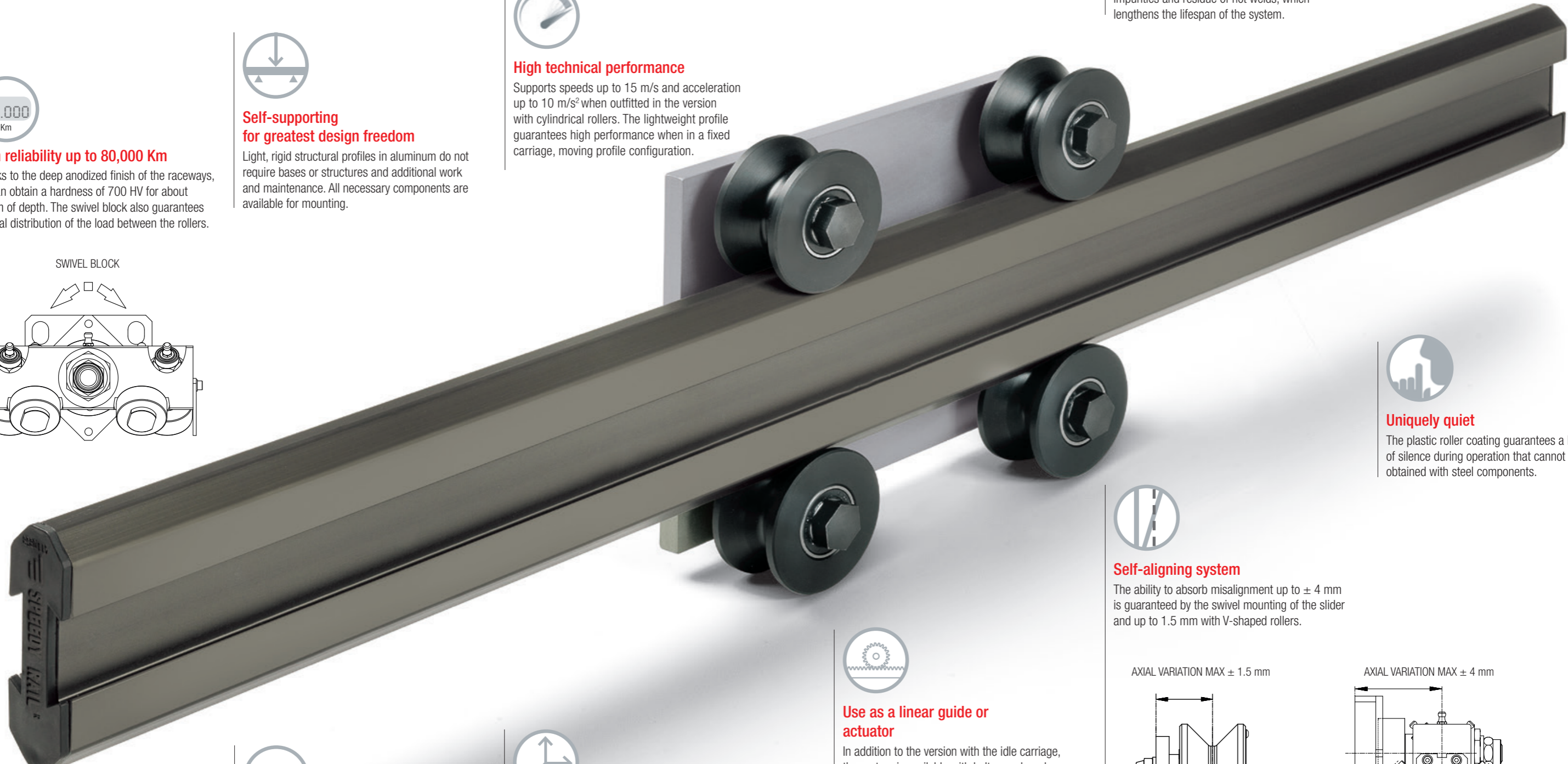
Potentially infinite strokes

Thanks to easily built, precise jointed versions.



Multiple axis systems

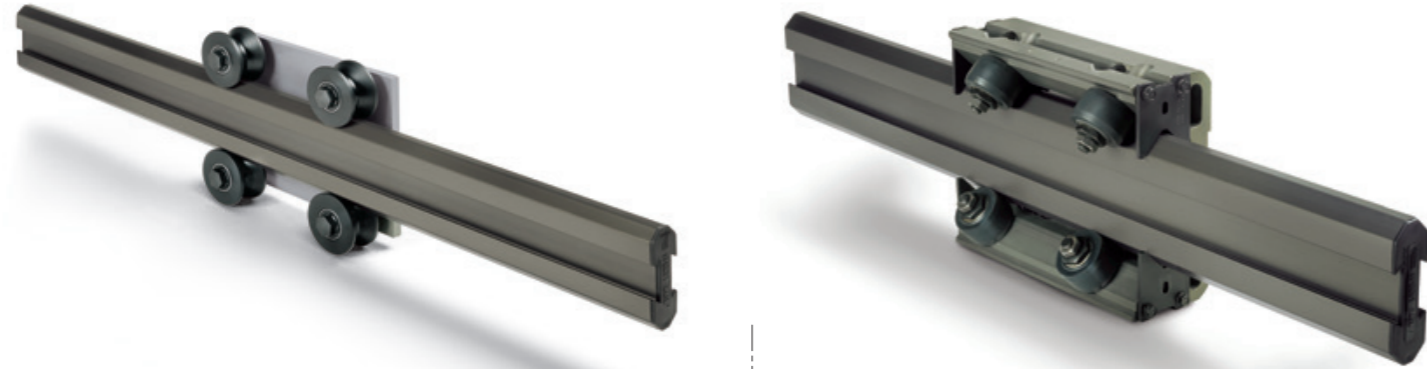
Ideal for building 2 or 3-axis Cartesian systems for several applications.



Configuration options

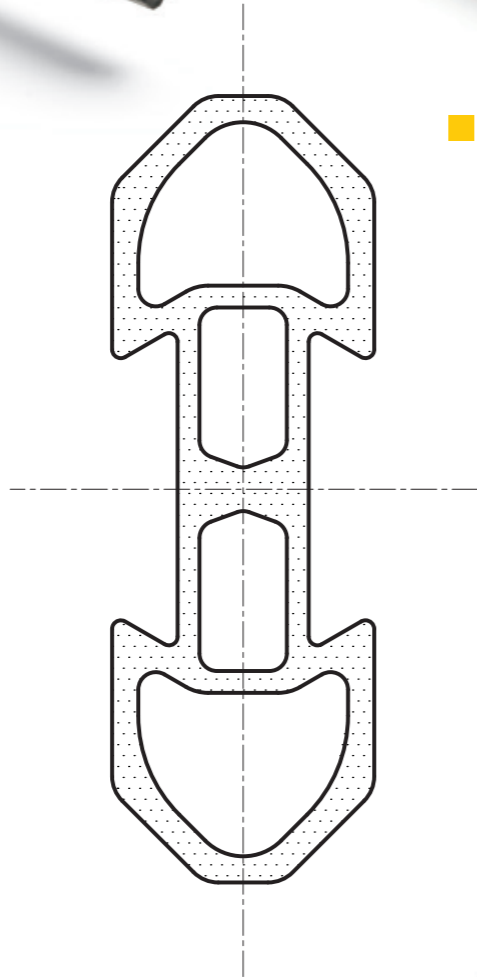


Sliders



Sliders with V-shaped rollers coated in plastic compound

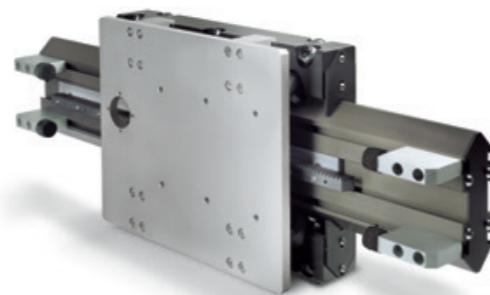
Sliders with cylindrical rollers coated in plastic compound



Drives



Belt drives



Rack and pinion drives

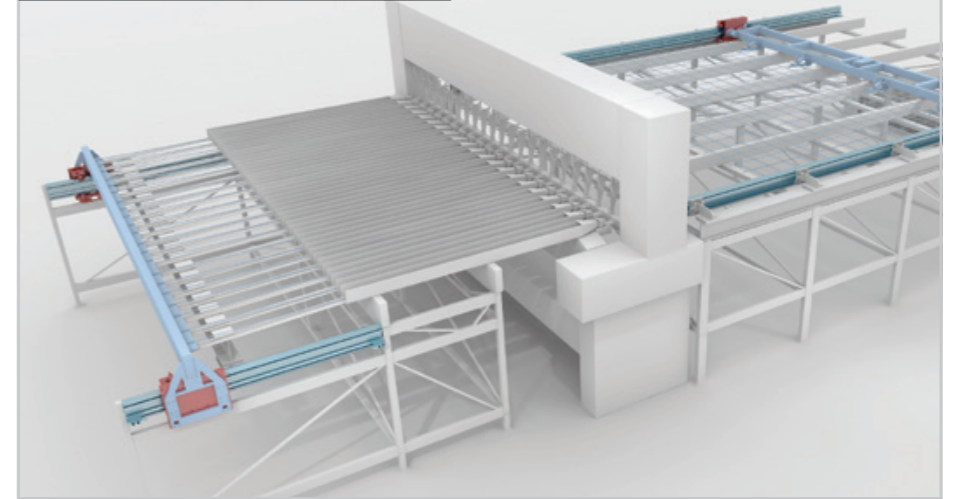
Applications examples



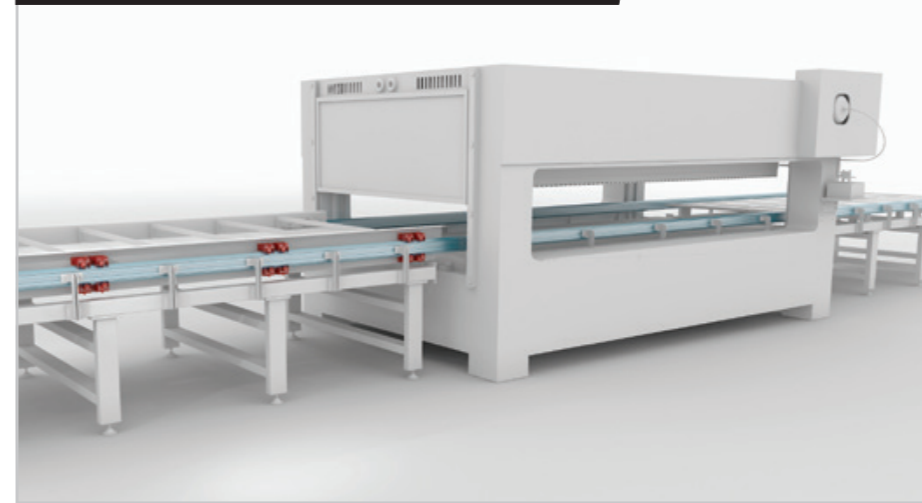
Marble drilling machines



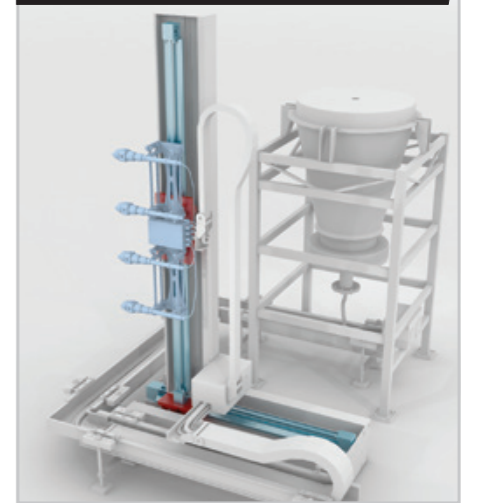
Welding machines



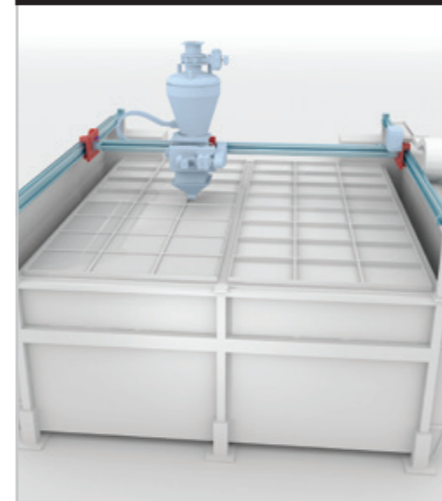
Wood working machines



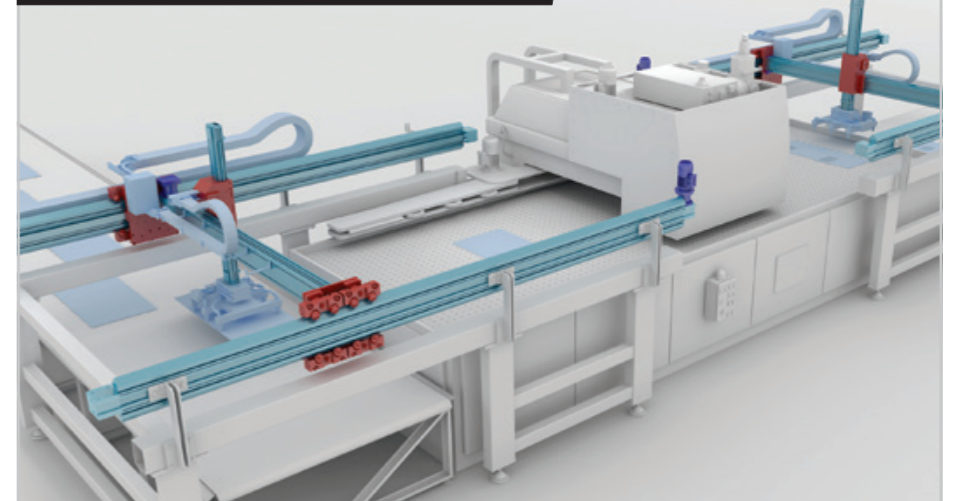
Painting machines



Ceramic working machines



Pick and place of machined pieces



Technical features overview



| Reference | | Shape of rail | Anodized raceways | Self-alignment | Slider | | Anticorrosion | Size | Max. working load capacity per slider* [N] | | Max. rail length** [mm] | Max. running speed [m/s] | Max. acceleration [m/s ²] | Operating temperature |
|-------------|---------|---------------|-------------------|----------------|-----------|---------------------|---------------|------|--|-------------------|-------------------------|--------------------------|---------------------------------------|-----------------------|
| Family | Product | | | | V rollers | Cylindrical rollers | | | C ₀ rad | C ₀ ax | | | | |
| Speedy Rail | SR35 | | √ | ++ | | | | 35 | 400 | 400 | 6500 | 8 | 8 | -30° C / +80° C |
| | SRC48 | | √ | + | | | | 48 | 540 | 400 | 7500 | 8 | 8 | -30° C / +80° C |
| | SR60 | | √ | ++ | | | | 60 | 800 | 400 | 7000 | 8 | 8 | -30° C / +80° C |
| | SR90 | | √ | ++ | | | | 90 | 1400 | 1120 | 7500 | 8 | 8 | -30° C / +80° C |
| | SR120 | | √ | +++ | | | | 120 | 7241 | 7241 | 7500 | 15 | 10 | -30° C / +80° C |
| | SR180 | | √ | +++ | | | | 180 | 14482 | 14482 | 7500 | 15 | 10 | -30° C / +80° C |
| | SR250 | | √ | +++ | | | | 250 | 14482 | 14482 | 7500 | 15 | 10 | -30° C / +80° C |

The information shown must be verified for the specific application.

* The working loads indicated refer to a theoretical life of guides and carriages of 80.000 Km

** A longer stroke is available for jointed versions.

| Reference | | Cursor | | Driving | | Anticorrosion | Protection | Size | Max. working load capacity per carriage* [N] | | | Max. working moments per carriage* [Nm] | | | Max. running speed [m/s] | Max. acceleration [m/s ²] | Repeatability accuracy [mm] | Max. travel or stroke (per system)** [mm] |
|---------------|---------|-----------|---------------------|-----------------|------|---------------|------------|------|--|----------------|----------------|---|----------------|----------------|--------------------------|---------------------------------------|-----------------------------|---|
| Family | Product | V rollers | Cylindrical rollers | Rack and pinion | Belt | | | | F _x | F _y | F _z | M _x | M _y | M _z | | | | |
| Speedy Rail A | SRA60 | | | | | | | 60 | 465 | 800 | 400 | 8 | 27 | 20 | 8 | 8 | +/-0,15 | 4000 |
| | SRA120 | | | | | | | 120 | 1160 | 1400 | 800 | 32 | 96 | 168 | 8 | 8 | +/-0,15 | 7100 |
| | SRA180 | | | | | | | 180 | 2000 | 3620 | 3620 | 245 | 299 | 299 | 15 | 10 | +/-0,15 | 7100 |
| | SRA250 | | | | | | | 250 | 4000 | 3620 | 3620 | 292 | 362 | 362 | 15 | 10 | +/-0,15 | 7100 |

The information shown must be verified for the specific application.

* The working loads indicated refer to a theoretical life of guides and carriages of 80.000 Km

** A longer stroke is available for jointed versions.



- Rollon Branches & Rep. Offices
- Distributors

EUROPE

ROLLON S.p.A. - ITALY (Headquarters)

Via Trieste 26
I-20871 Vimercate (MB)
Phone: (+39) 039 62 59 1
www.rollon.it - infocom@rollon.it

ROLLON GmbH - GERMANY

Bonner Strasse 317-319
D-40589 Düsseldorf
Phone: (+49) 211 95 747 0
www.rollon.de - info@rollon.de

ROLLON S.A.R.L. - FRANCE

Les Jardins d'Eole, 2 allée des Séquoias
F-69760 Limonest
Phone: (+33) (0) 4 74 71 93 30
www.rollon.fr - infocom@rollon.fr

ROLLON B.V. - NETHERLANDS

Ringbaan Zuid 8
6905 DB Zevenaar
Phone: (+31) 316 581 999
www.rollon.nl - info@rollon.nl

ROLLON S.p.A. - RUSSIA (Rep. Office)

117105, Moscow, Varshavskoye
shosse 17, building 1
Phone: +7 (495) 508-10-70
www.rollon.ru - info@rollon.ru

ROLLON Ltd - UK (Rep. Office)

The Works 6 West Street Olney
Buckinghamshire, United Kingdom, MK46 5 HR
Phone: +44 (0) 1234964024
www.rollon.uk.com - info@rollon.uk.com

AMERICA

ROLLON Corporation - USA

101 Bilby Road. Suite B
Hackettstown, NJ 07840
Phone: (+1) 973 300 5492
www.rolloncorp.com - info@rolloncorp.com

ROLLON - SOUTH AMERICA (Rep. Office)

R. Joaquim Floriano, 397, 2o. andar
Itaim Bibi - 04534-011, São Paulo, BRASIL
Phone: +55 (11) 3198 3645
www.rollonbrasil.com.br - info@rollonbrasil.com

ASIA

ROLLON Ltd - CHINA

No. 1155 Pang Jin Road,
China, Suzhou, 215200
Phone: +86 0512 6392 1625
www.rollon.cn.com - info@rollon.cn.com

ROLLON India Pvt. Ltd. - INDIA

1st floor, Regus Gem Business Centre, 26/1
Hosur Road, Bommanahalli, Bangalore 560068
Phone: (+91) 80 67027066
www.rollonindia.in - info@rollonindia.in

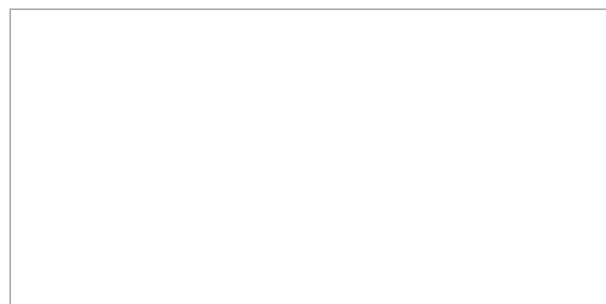
ROLLON - JAPAN

3F Shiodome Building, 1-2-20 Kaigan, Minato-ku,
Tokyo 105-0022 Japan
Phone +81 3 6721 8487
www.rollon.jp - info@rollon.jp

Consult the other ranges of products



Distributor



All addresses of our global sales partners can also be found at www.rollon.com