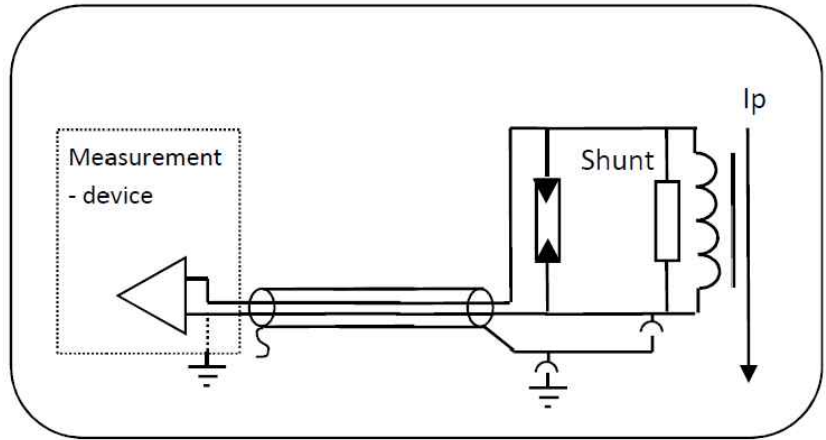


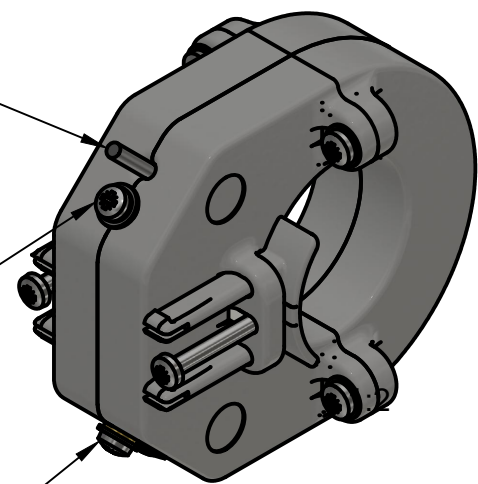
Secondary terminal custom defined  
 Recommendation:  
 0,5 up to 100m 3pole shielded cable  
 open ends with shield - outlet

Function principle:



Ground method

Methode	Screw (NC)
floated earth potential	closed
reference earth potential	open



Ground terminal  
M5

Standard: IEC 61869-1, IEC 61869-6, IEC 61869-10  
 Isolation level: 0,72kV/3kV/-  
 Rated current : 300A ext. 200%  
 Temperature range: -40/80°C  
 Accuracy class: 0,5S/0,5/1/3 max P20  
 Secondary output: 225mV or customer defined  
 Burden: >20kΩ  
 Ith: 25kA 3sec.

Dept. GWP	Technical reference	Created by W. Bacher 21.09.2018	Approved by N. Juschicz 21.09.2018
	Document type Drawing	Document status	
	Title Indoor Current Sensor Divisible Type	DWG No. NxxxT-xx	
	1:1	Rev. 2	Date of issue 30.03.2019