

TM



BazaNova

Windows & Facade Solutions

— www.baza-nova.com —

COR 4900

SLIDING



DESCRIPTION

Straight aesthetic sliding window and door system which incorporates a central node of only 35mm of visible section. It allows maximizing the glazing capacity up to 36mm with high performance of both thermal and acoustic services. Its sash can weigh up to 240 kg which makes the maximum possible dimensions of 2200 (L) x 2600 (H) mm.

FEATURES



EN 12208:2000 class 7A



Uw from 1.2 (W/m²K)



240 kg / SASH



EN 12207:2000 class 4



5.72 m² / SASH



Coloring options
RAL / TEXTURE / ANODISE



EN 12208:2000 class C5



Glazing up to 36 mm

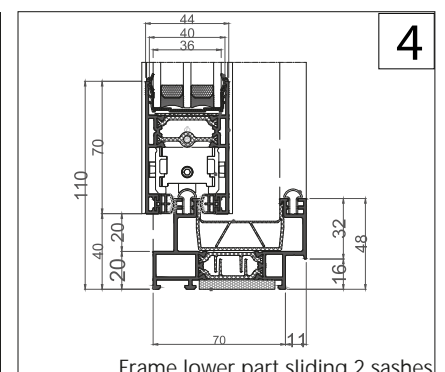
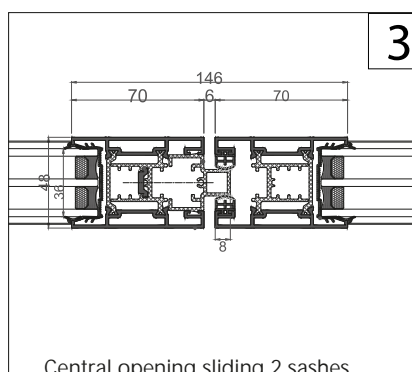
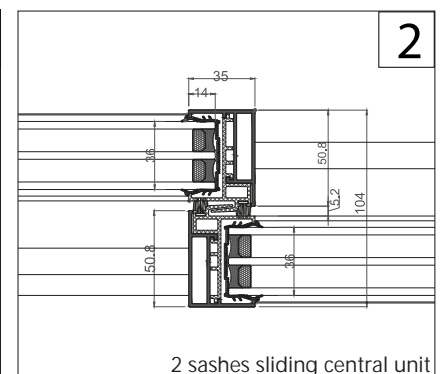
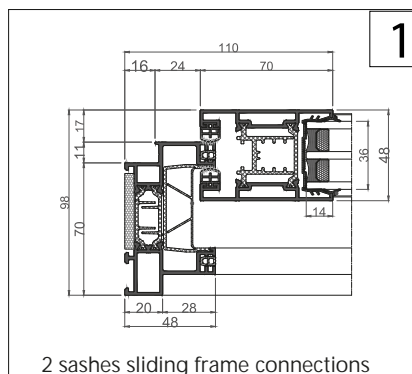
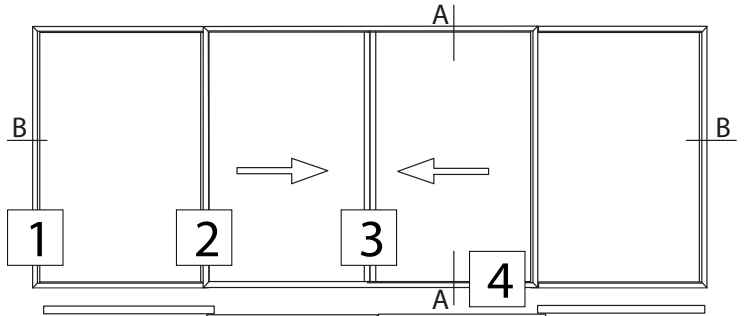


RW Maximum = 41dB



H 2600mm / SASH

TECHNICAL SPECIFICATIONS





BazaNova

Windows & Facade Solutions
— www.baza-nova.com —

YOUR VISION, OUR REALITY!

+359 877 977 045

bazanovaltd@gmail.com

www.baza-nova.com