

# SB200 | SB500 | SB950

## Battery Lifting Magnet

The electropermanent battery lifting magnets are suitable for the flat material load range of 200kg | 500kg | 950kg and the round material load range of 50kg | 200kg | 400kg. Using a current pulse of less than one second the electropermanent battery lifters SB200 | SB500 | SB950 from Assfalg are switched manually by pushbuttons or automatically. Although no current flows during the transport of the load, the workpiece remains safely clamped like a permanent magnet. Up to 1000 ON/OFF switching cycles by SB200 | SB500 and 500 ON/OFF switching cycles by SB950 are possible before recharging the integrated accu by the supplied mains charger.



SB200

### Application

- ▶ For flat and round material
- ▶ Destacking from 4mm sheet thickness by power reduction
- ▶ Independent from mains supply
- ▶ In mechanical engineering, tool manufacturing, plant engineering, steel construction, shipbuilding, steel mill, flame cutting, transport company or materials stores



SB950



SB500



SB500



SB200



SB200 with special pole shoes

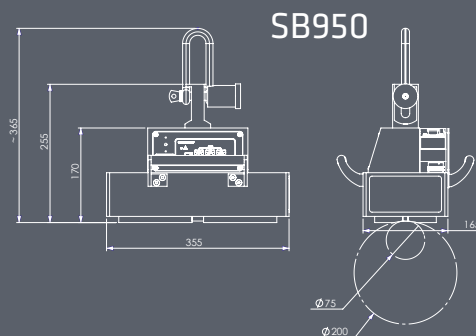
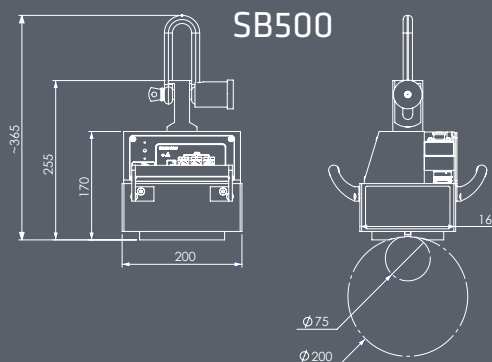
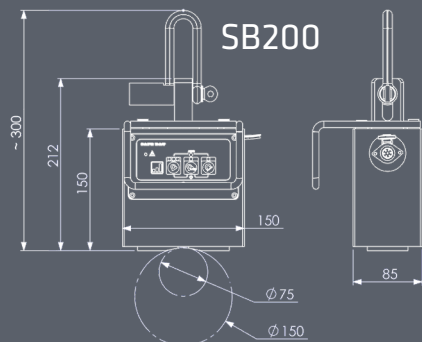


**Professional advantages**

- ▶ No battery flow during lifting (only a current pulse for a few seconds is required for magnetizing or demagnetizing)
- ▶ Replaceable and rechargeable battery box for SB500 and SB950 mounted externally
- ▶ The magnets are either manually switched via push buttons or automatically via AUTO function
- ▶ Power reduction for destacking or low weight loads
- ▶ A built in security mechanism prevents switching when the load is suspended
- ▶ Option: Positioning drawbar SB 950, swivel-mounted in Z-Axis +/- 60°

**Features**

- ✔ Auto mode is instead of wireless control
- ✔ Up to 1000 ON/OFF switching cycles before recharging
- ✔ Accu (lithium-ion battery) is charged in approx. 2h mains charger 110V / 230V / 50-60Hz



Technical data	Dimensions	Load	Min.	Max. load	Load	Ø	Hold surface	Weight	No.
	[LxWxH]	SWL 3:1	thickness	capacity from	SWL 3:1	from - to			
	[mm]	Fh [kg]	[mm]	[mm]	Fh [kg]	[mm]	[mm]	[kg]	
SB200	150 x 85 x 150	200	4	20	50	75 - 150	115 x 50	10	65697
SB500	200 x 160 x 170	500	4	20	200	75 - 200	145 x 125	26	62666
SB950	355 x 165 x 170	950	4	20	400	75 - 200	320 x 130	41	60643