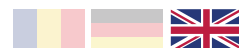




SELF-ADHESIVE LABELS

DIRECT THERMAL LABELS



Roltech

MANUFACTURER OF STATIONERY



SELF-ADHESIVE LABEL

In modern industry, self-adhesive label rolls offer labelling efficiency. Compact and easy to apply, they are ideal for production and automation.

For food, medicine or consumer goods, these rolls bring clarity in identification, optimising packaging, stock and customer communication, providing a professional presentation and a pleasant experience.



THERMAL



SEMI-GLOSSY



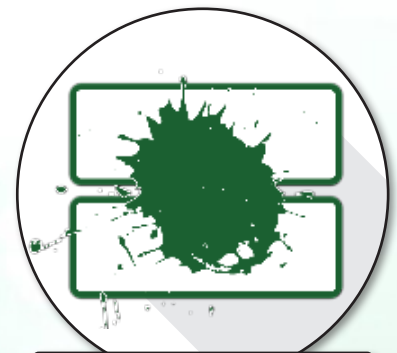
SPECIAL



PLASTIC



COLOUR



INKJET

SELF-ADHESIVE LABEL ROLLS

Thermal label rolls can be used in scales, price indicators, packaging, shipping, identification, office, retail, equipment and cartons. Almost every industry will use labelled products.

Direct thermal labels have a chemical coating applied to a paper or synthetic base that is heat activated. They can be suitable for direct thermal label printers, scale printers, barcode printers, mobile printers, EPOS printers and PDA terminals.

ROLTECH has flexo printing machines and self-adhesive label roll making machines that have the ability to handle the different shapes, sizes, materials and printing available.



THERMAL | SELF-ADHESIVE LABELS

PRODUCT NAME	GRAMMATUR G/M ²	THICKNESS μM	TEMPERATUR °C	RANGE OF TRUTHS PRINTING SUPPORT
THERMAL ECO BPAF	72	80	MIN: +5 °C -40/+70 °C	STANDARD PERMANENT WHITE, WOOD-FREE, BPA-FREE, HIGH HEAT-SENSITIVE COATED PRINTING PAPER, ALSO AVAILABLE IN FSC CERTIFIED VERSION.
THERMAL STANDARD TOP-FSC	72	73	MIN: -5 °C -40/+60 °C	SEMI DEEP-FREEZE PERMANENT WHITE, FSC-CERTIFIED, WOOD-FREE PRINTING PAPER WITH STANDARD HEAT-SENSITIVE COATING AND DOUBLE BARRIER PROTECTION.
THERMAL PREMIUM TOP	75	81	MIN: -5 °C -40/+60 °C	SEMI DEEP-FREEZE PERMANENT WHITE, WOOD-FREE, BPA-FREE PRINTING PAPER WITH STANDARD HEAT-SENSITIVE COATING AND DOUBLE BARRIER PROTECTION.



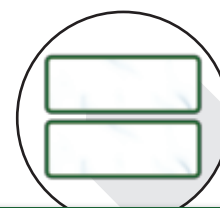
SEMI-GLOSSY | SELF-ADHESIVE LABELS

PRODUCT NAME	GRAMMATUR G/M ²	THICKNESS μM	TEMPERATUR °C	RANGE OF TRUTHS PRINTING SUPPORT
VELLUM T (FSC)	72	71	MIN: +5 °C -40/+70 °C	STANDARD PERMANENT WHITE, WOOD-FREE, SUPERCALENDERED PRINTING PAPER, ALSO AVAILABLE IN FSC CERTIFIED VERSION.
COPY LASERJET 70 U	70	90	MIN: +5 °C -40/+70 °C	STANDARD PERMANENT WHITE, WOOD-FREE, SURFACE CALENDERED PRINTING PAPER FOR LASER AND INKJET PRINTING.
SG PREMIUM K (FSC)	80	72	MIN: +5 °C -40/+70 °C	STANDARD PERMANENT WHITE, SEMI-GLOSSY, WOOD-FREE, MECHANICALLY CREASED (IN-LINE) PRINTING PAPER, ALSO AVAILABLE IN FSC CERTIFIED VERSION.
SG PREMIUM S (FSC)	78	72	MIN: +5 °C -40/+70 °C	STANDARD PERMANENT WHITE, SEMI-GLOSSY, WOOD-FREE, MECHANICALLY CREASED (IN-LINE) PRINTING PAPER, ALSO AVAILABLE IN FSC CERTIFIED VERSION.
SG PREMIUM MC90 (FSC)	90	75	MIN: +5 °C -40/+70 °C	STANDARD PERMANENT WHITE, SEMI-GLOSSY, WOOD-FREE, MECHANICALLY CREASED (IN-LINE) PRINTING PAPER.
SEMIGLOSS GREASE (FSC)	80	72	MIN: -5 °C -40/+60 °C	SEMI DEEP-FREEZE PERMANENT IMPREGNATED, SEMI-GLOSSY, MECHANICALLY CREASED (IN-LINE), GREASEPROOF, FSC PRINTING PAPER.
GLOSS WS	80	65	MIN: +5 °C -40/+70 °C	STANDARD PERMANENT SPECIALLY-CREATED, GLOSSY, WOOD-FREE PRINTING PAPER.
SUPERGLOSS (WS)	80	88	MIN: +5 °C -40/+70 °C	STANDARD PERMANENT WHITE, WOOD-FREE AND BPA-FREE PRINTING PAPER WITH STANDARD HEAT-SENSITIVE COATING AND DOUBLE BARRIER PROTECTION.



COLOUR | SELF-ADHESIVE LABELS

PRODUCT NAME	GRAMMATUR G/M ²	THICKNESS μM	TEMPERATUR °C	RANGE OF TRUTHS PRINTING SUPPORT
MATT INTENSIVE YELLOW	80	105	MIN: +5 °C -40/+70 °C	STANDARD PERMANENT YELLOW, WOOD-FREE, MECHANICALLY FINISHED PAPER.
MATT INTENSIVE ORANGE	80	105	MIN: +5 °C -40/+70 °C	STANDARD PERMANENT ORANGE, WOOD-FREE, MECHANICALLY FINISHED PAPER.
MATT INTENSIVE RED	80	105	MIN: +5 °C -40/+70 °C	STANDARD PERMANENT RED, WOOD-FREE, MECHANICALLY FINISHED PAPER.
MATT INTENSIVE GREEN	80	105	MIN: +5 °C -40/+70 °C	STANDARD PERMANENT GREEN, WOOD-FREE, MECHANICALLY FINISHED PAPER.
MATT INTENSIVE BLUE	80	105	MIN: +5 °C -40/+70 °C	STANDARD PERMANENT BLUE, WOOD-FREE, MECHANICALLY FINISHED PAPER.
FLUO YELLOW	80	93	MIN: +5 °C -40/+70 °C	STANDARD PERMANENT FLUORESCENT YELLOW PRINTING PAPER, INKED ON ONE SIDE ONLY.
FLUO ORANGE	80	93	MIN: +5 °C -40/+70 °C	STANDARD PERMANENT FLUORESCENT ORANGE PRINTING PAPER, INKED ON ONE SIDE ONLY.
FLUO RED	80	93	MIN: +5 °C -40/+70 °C	STANDARD PERMANENT FLUORESCENT RED PRINTING PAPER, INKED ON ONE SIDE ONLY.
FLUO GREEN	80	93	MIN: +5 °C -40/+70 °C	STANDARD PERMANENT FLUORESCENT GREEN PRINTING PAPER, INKED ON ONE SIDE ONLY.
FLUO MAGENTA	80	93	MIN: +5 °C -40/+70 °C	STANDARD PERMANENT FLUORESCENT MAGENTA PRINTING PAPER, INKED ON ONE SIDE ONLY.
SILVER METALLIC (FSC)	83	70	MIN: +5 °C -40/+70 °C	STANDARD PERMANENT SILVER METALLIC, VARNISHED, GLOSSY, MOISTURE RESISTANT PRINTING PAPER.
GOLD METALLIC	83	67	MIN: +5 °C -40/+70 °C	STANDARD PERMANENT GOLD METALLIC, VARNISHED, GLOSSY PRINTING PAPER.
ALULAMINATED BRIGHT SILVER	70	68	MIN: +5 °C -40/+70 °C	STANDARD PERMANENT GLOSSY SILVER ALUMINIUM FOIL, LACQUERED WITH TC VARNISH, LAMINATED WITH PAPER.
ALULAMINATED MATT SILVER	70	68	MIN: +5 °C -40/+70 °C	STANDARD PERMANENT MATT SILVER ALUMINIUM FOIL, LACQUERED WITH TC PVC VARNISH, LAMINATED WITH PAPER.



PLASTIC | SELF-ADHESIVE LABELS

PRODUCT NAME	GRAMMATUR G/M ²	THICKNESS μM	TEMPERATUR °C	RANGE OF TRUTHS PRINTING SUPPORT
PE WHITE GLOSS	85	85	MIN: +5 °C -20/+70 °C	PERMANENT "CLEAR" FOR FILMS WHITE, GLOSSY, LACQUERED POLYETHYLENE FILM WITH PRINTABLE LACQUER (TC)
PE WHITE MATT	75	95	MIN: +5 °C -20/+70 °C	PERMANENT "CLEAR" FOR FILMS WHITE, MATT, LACQUERED POLYETHYLENE FILM WITH PRINTABLE LACQUER (TC)
PE TRANSP GLOSS	82	85	MIN: +5 °C -20/+70 °C	PERMANENT "CLEAR" FOR FILMS TRANSPARENT, GLOSSY, LACQUERED PP FILM WITH PRINTABLE LACQUER (TC)
PE SILVER METALLIC	81	86	MIN: +5 °C -20/+70 °C	PERMANENT "CLEAR" FOR FOILS SILVER, METALLIC, GLOSSY, LACQUERED PP FILM WITH PRINTABLE LACQUER (TC)
BOPP WHITE GLOSS	57	58	MIN: +5 °C -20/+70 °C	PERMANENT "CLEAR" FOR FILMS WHITE, GLOSSY, BIAXIALLY ORIENTED PP FILM, LACQUERED WITH PRINTABLE LACQUER (TC)
BOPP WHITE PEARL	45	60	MIN: +5 °C -20/+70 °C	PERMANENT "CLEAR" FOR FOILS WHITE PEARLESCENT, GLOSSY, BIAXIALLY ORIENTED PP FILM, LACQUERED WITH PRINTABLE LACQUER (TC)
BOPP WHITE MATT	47	65	MIN: +5 °C -20/+70 °C	PERMANENT "CLEAR" FOR FOILS MATT, PAPER-LIKE POLYPROPYLENE (PP) FOIL
BOPP TRANSP GLOSS 50	47	51	MIN: +5 °C -20/+70 °C	PERMANENT "CLEAR" FOR FILMS TRANSPARENT, GLOSSY, BIAXIALLY ORIENTED PP FILM, LACQUERED WITH PRINTABLE LACQUER (TC)
BOPP TRANSP GLOSS 60	53	58	MIN: +5 °C -20/+70 °C	PERMANENT "CLEAR" FOR FILMS TRANSPARENT, GLOSSY, BIAXIALLY ORIENTED PP FILM, LACQUERED WITH PRINTABLE LACQUER (TC)
BOPP TRANSP GLOSS 30	23	25	MIN: -5 °C -20/+60 °C	SEMI DEEP-FREEZE PERMANENT CLEAR, GLOSSY, BIAXIALLY ORIENTED, CORONA TREATED PP FILM
BOPP SILVER GLOSS	46	51	MIN: +5 °C -20/+70 °C	PERMANENT "CLEAR" FOR FOILS SILVER, GLOSSY, BIAXIALLY ORIENTED PP FILM, LACQUERED WITH PRINTABLE LACQUER (TC)
PET WHITE GLOSS	72	50	MIN: +5 °C -20/+70 °C	PERMANENT "CLEAR" FOR FILMS WHITE, GLOSSY, LACQUERED PET FILM WITH PRINTABLE LACQUER (TC)
PET WHITE MATT	80	54	MIN: +5 °C -20/+70 °C	PERMANENT "CLEAR" FOR FILMS WHITE, MATT, LACQUERED PET FILM WITH PRINTABLE VARNISH (TC)
PET SILVER GLOSS	61	46	MIN: +5 °C -20/+70 °C	PERMANENT "CLEAR" FOR FILMS SILVER PET FILM, GLOSSY, LACQUERED WITH PRINTABLE VARNISH (TC)
PET SILVER MATT	61	46	MIN: +5 °C -20/+70 °C	PERMANENT "CLEAR" FOR FILMS SILVER PET FILM, MATT, LACQUERED WITH PRINTABLE LACQUER (TC)
PVC TRANSP GLOSS	116	91	MIN: +5 °C -20/+70 °C	PERMANENT (PVC FILMS) TRANSPARENT, FLEXIBLE, GLOSSY PVC FILM FOR LABELLING BOTTLES AND



SECURITY | SELF-ADHESIVE LABELS

PRODUCT NAME	GRAMMATUR G/M ²	THICKNESS μM	TEMPERATUR °C	RANGE OF TRUTHS PRINTING SUPPORT
TAMPER EVIDENT WHITE MATT	60	109	MIN: +5 °C -20/+70 °C	SECURE PERMANENTLY STRONG WHITE, MATT, LOW TEAR STRENGTH, LACUTED SECURE FILM
PET SILVER VOID	70	51	MIN: +5 °C -20/+70 °C	SECURE PERMANENTLY STRONG GLOSSY SILVER PET FILM WITH SPECIALLY IMPREGNATED "VOID" MARKINGS
SECURITY FACE WHITE	70	90	MIN: +5 °C -20/+70 °C	SECURED STRONG PERMANENT LOW TEAR STRENGTH PAPER WITH FIBRES OR OTHER SECURED ELEMENTS

SPECIAL | SELF-ADHESIVE LABELS

PRODUCT NAME	GRAMMATUR G/M ²	THICKNESS μM	TEMPERATUR °C	RANGE OF TRUTHS PRINTING SUPPORT
TYVEK 75 WHITE MATT	75	205	MIN: +5 °C -40/+70 °C	STANDARD PERMANENT EXTRA-STRONG WHITE, MATT, PAPER-LIKE MATERIAL MADE OF PRESSED POLYOLEFIN FIBRES
TYVEK BRILLION WHITE MATT	76	155	MIN: +5 °C -40/+70 °C	STANDARD PERMANENT EXTRA-STRONG WHITE, MATT, PAPER-LIKE MATERIAL MADE OF PRESSED POLYOLEFIN FIBRES
TYVEK WRISTBAND WHITE MATT	68	205	MIN: +5 °C -40/+70 °C	STANDARD PERMANENT EXTRA-STRONG WHITE, MATT, PAPER-LIKE MATERIAL MADE OF PRESSED POLYOLEFIN FIBRES FOR BRACELETS
PHARMAFIX WHITE	65	59	MIN: +5 °C -40/+70 °C	STANDARD PERMANENT WHITE, SEMI-GLOSSY, WOOD-FREE, MECH. CREASED (IN-LINE) PRINTING PAPER SMALL DIAMETER SURFACES
PIGGYBACK VELLUM T WHITE	223	180	MIN: +5 °C -40/+70 °C	2X STANDARD PERMANENT WHITE, WOODFREE, SUPERCALENDERED, MULTILAYER PRINTING PAPER
PIGGYBACK SEMIGLOSS MC WHITE	232	190	MIN: +5 °C -40/+70 °C	2X STANDARD PERMANENT WHITE, SEMI-GLOSS, WOOD-FREE, MECHANICALLY CREASED (IN-LINE), MULTI-LAYER PRINTING PAPER
DOUBLEFIX BOPP30 WHITE	177	148	MIN: +5 °C -40/+70 °C	2X STANDARD PERMANENT CLEAR, BIAXIALLY ORIENTED PP FILM WITH CORONA TREATMENT AND ADHESIVE ON BOTH SIDES
VELLUM T OPAQUE WHITE	75	70	MIN: +5 °C -40/+70 °C	STANDARD PERMANENT SUPERCALENDERED, WOODFREE, WHITE, SPATULA COLOURED PRINTING PAPER
THERMAL ECO OPAQUE WHITE	77	83	MIN: +5 °C -40/+70 °C	STANDARD PERMANENT SEMI-GLOSSY, WOOD-FREE, HIGH HEAT-SENSITIVE, WHITE, SLIVER-COLOURED PRINTING PAPER
SG PREMIUM MC OPAQUE WHITE	85	70	MIN: +5 °C -40/+70 °C	REMOVABLE WITH PAPER WHITE, SPATULA COLOURED, SEMI-GLOSSY WOOD-FREE, MECHANICALLY CREASED (IN-LINE) PRINTING PAPER
UNIFILM WHITE	132	114	MIN: +5 °C -40/+70 °C	STANDARD PERMANENT FILM TRANSFER TAPE WITH ADHESIVE, COATED ON BOTH SIDES WITH SILICONE PAPER



SPECIAL | SELF-ADHESIVE LABELS

PRODUCT NAME	GRAMMATUR G/M ²	THICKNESS μM	TEMPERATUR °C	RANGE OF TRUTHS PRINTING SUPPORT
Greentag WHITE	161	220	MIN: +5 °C -40/+70 °C	STANDARD PERMANENT EXTRA-STRONG WHITE, MATT, PAPER-LIKE MATERIAL MADE OF PRESSED POLYOLEFIN FIBRES
Luggage Tag WHITE	222	166	MIN: +5 °C -40/+70 °C	STANDARD PERMANENT EXTRA-STRONG WHITE, MATT, PAPER-LIKE MATERIAL MADE OF PRESSED POLYOLEFIN FIBRES
PE Transparent Gloss WHITE	82	85	MIN: +5 °C -40/+70 °C	STANDARD PERMANENT EXTRA-STRONG WHITE, MATT, PAPER-LIKE MATERIAL MADE OF PRESSED POLYOLEFIN FIBRES FOR BRACELETS
SG Premium MC BP WHITE	80	65	MIN: +5 °C +5/+70 °C	STANDARD PERMANENT WHITE, SEMI-GLOSSY, WOOD-FREE, MECH. CREASED (IN-LINE) PRINTING PAPER SMALL DIAMETER SURFACES
Vellum T BP WHITE	72	68	MIN: +5 °C +5/+70 °C	2X STANDARD PERMANENT WHITE, WOODFREE, SUPERCALENDERED, MULTILAYER PRINTING PAPER
Thermal Eco BP WHITE	74	81	MIN: +5 °C +5/+70 °C	2X STANDARD PERMANENT WHITE, SEMI-GLOSS, WOOD-FREE, MECHANICALLY CREASED (IN-LINE), MULTI-LAYER PRINTING PAPER
BOPP White Gloss WHITE	57	58	MIN: +5 °C +5/+60 °C	2X STANDARD PERMANENT CLEAR, BIAXIALLY ORIENTED PP FILM WITH CORONA TREATMENT AND ADHESIVE ON BOTH SIDES
BOPP Transp Gloss WHITE	47	51	MIN: +5 °C +5/+60 °C	STANDARD PERMANENT SUPERCALENDERED, WOODFREE, WHITE, SPATULA COLOURED PRINTING PAPER
PE White Gloss WHITE	80	85	MIN: +5 °C +5/+60 °C	STANDARD PERMANENT SEMI-GLOSSY, WOOD-FREE, HIGH HEAT-SENSITIVE, WHITE, SLIVER-COLOURED PRINTING PAPER
PE Transp Gloss WHITE	78	85	MIN: +5 °C +5/+60 °C	REMOVABLE WITH PAPER WHITE, SPATULA COLOURED, SEMI-GLOSSY WOOD-FREE, MECHANICALLY CREASED (IN-LINE) PRINTING PAPER
SemiGloss Premium WHITE	80	73	MIN: +5 °C +5/+60 °C	STANDARD PERMANENT FILM TRANSFER TAPE WITH ADHESIVE, COATED ON BOTH SIDES WITH SILICONE PAPER
SemiGloss Premium WHITE	72	73	MIN: +5 °C +5/+60 °C	REMOVABLE WITH PAPER WHITE, SPATULA COLOURED, SEMI-GLOSSY WOOD-FREE, MECHANICALLY CREASED (IN-LINE) PRINTING PAPER



WINE & BOOTLES | SELF-ADHESIVE LABELS

PRODUCT NAME	GRAMMATUR G/M ²	THICKNESS μM	TEMPERATUR °C	RANGE OF TRUTHS PRINTING SUPPORT
WINE SPECIAL MATT WHITE MATT	225	198	MIN: -5 °C -40/+60 °C	SEMI DEEP-FREEZE PERMANENT WOODFREE, MOISTURE-RESISTANT, FOIL-BACKED, OFF-LINE COATED PRINTING PAPER
SATINE IVORY WHITE IVORY	90	102	MIN: -5 °C -40/+60 °C	SEMI DEEP-FREEZE PERMANENT WHITE IVORY PAPER MECHANICALLY CREPED (IN-LINE), WOODFREE, MOISTURE RESISTANT
VERGE WHITE WHITE	90	108	MIN: -5 °C -40/+60 °C	SEMI DEEP-FREEZE PERMANENT WHITE, MECHANICALLY CALENDERED, WOODFREE, MOISTURE RESISTANT, TEXT. LINED PRINTING PAPER
VERGE BRUT IVORY WHITE IVORY	90	135	MIN: -5 °C -40/+60 °C	SEMI DEEP-FREEZE PERMANENT WHITE IVORY PRINTING PAPER, MECH. CALENDERED, WOODFREE, MOISTURE RESISTANT, TEXTURED LINES
MARTELE WHITE WHITE	90	118	MIN: -5 °C -40/+60 °C	SEMI DEEP-FREEZE PERMANENT CREATIVE, WOODFREE, UNCOATED, WHITE, EMBOSSED AND EMBOSSING FEEL PRINTING PAPER
MARTELE IVORY WHITE IVORY	90	118	MIN: -5 °C -40/+60 °C	SEMI DEEP-FREEZE PERMANENT CREATIVE, WOODFREE, UNCOATED, MOISTURE-RESISTANT, IVORY-COLOURED, EMBOSSING FEEL PRINTING PAPER
FELT EXTRA WHITE WHITE	90	133	MIN: -5 °C -40/+60 °C	SEMI DEEP-FREEZE PERMANENT MOISTURE RESISTANT, EMBOSSED PAPER ON BOTH SIDES
FROZEN PEARL WHITE	90	103	MIN: -5 °C -40/+60 °C	SEMI DEEP-FREEZE PERMANENT WOODFREE PAPER WITH PEARL TEXTURE, MOISTURE RESISTANCE
CHROMO TEXTILE WHITE	90	108	MIN: -5 °C -40/+60 °C	SEMI DEEP-FREEZE PERMANENT MOISTURE AND ALKALI RESISTANT, RASTER PRINTED PAPER
SATINE BLACK BLACK	85	100	MIN: -5 °C -40/+60 °C	SEMI DEEP-FREEZE PERMANENT WOODFREE CREATIVE PAPER, BLACK, MOISTURE RESISTANT
SATINE WHITE WHITE	90	110	MIN: -5 °C -40/+60 °C	SEMI DEEP-FREEZE PERMANENT DEEP WHITE, MATT CREATIVE PAPER, MOISTURE RESISTANT
FROZEN SUN WHITE	90	98	MIN: -5 °C -40/+60 °C	SEMI DEEP-FREEZE PERMANENT CREATIVE COLOURED PAPER WITH PEARL LOOK, MOISTURE RESISTANCE
FROZEN QUARTZ WHITE	90	108	MIN: -5 °C -40/+60 °C	SEMI DEEP-FREEZE PERMANENT CREATIVE COLOURED PAPER WITH PEARL LOOK, MOISTURE RESISTANCE
WINE SPEZIAL MATT WHITE MATT	90	86	MIN: -5 °C -40/+60 °C	SEMI DEEP-FREEZE PERMANENT OFF-LINE COATED, MATT, WOODFREE, MOISTURE RESISTANT PRINTING PAPER
BOMBACO WHITE	100	150	MIN: -5 °C -40/+60 °C	SEMI DEEP-FREEZE PERMANENT WHITE, MOISTURE-RESISTANT, 100% COTTON, HIGH-STRENGTH PAPER

CUSTOMIZATION OF LABEL ROLLS

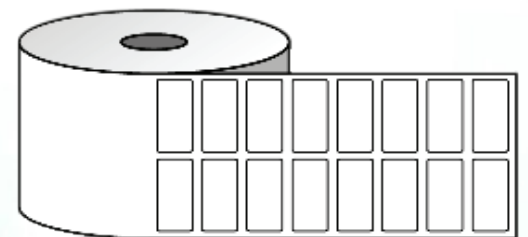
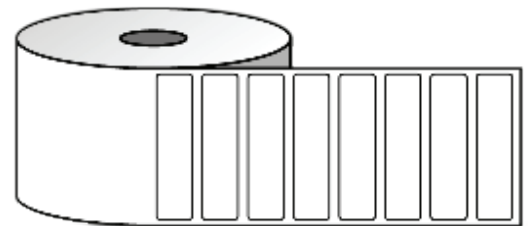
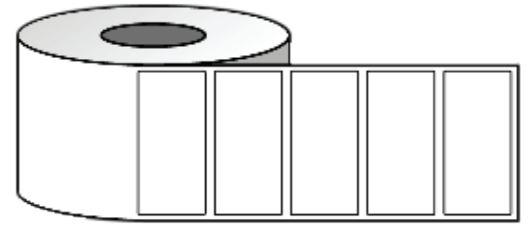
Because label rolls are highly customised products, there are many different materials, colours, shapes, adhesives and sizes available.

We advise that customers can collect samples from us before placing any order.

WE NEED TO KNOW THE DETAILS OF THE LABEL ROLL:
size, shape, material, winding and perforations etc.

If the label rolls are custom printed with the design illustration, we can also handle custom printed labels well.

It would be helpful if customers could send us samples of label rolls so we can check the sample details.

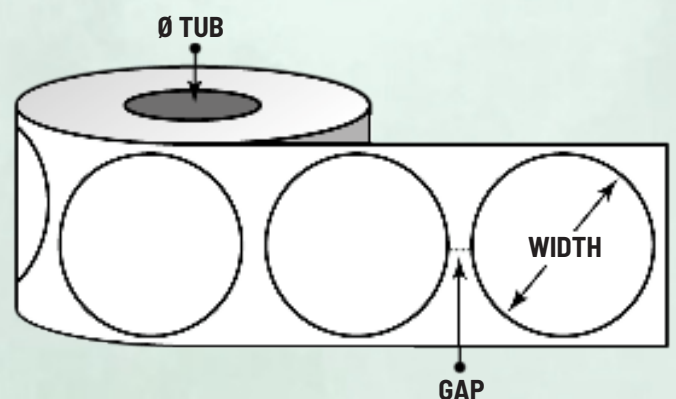
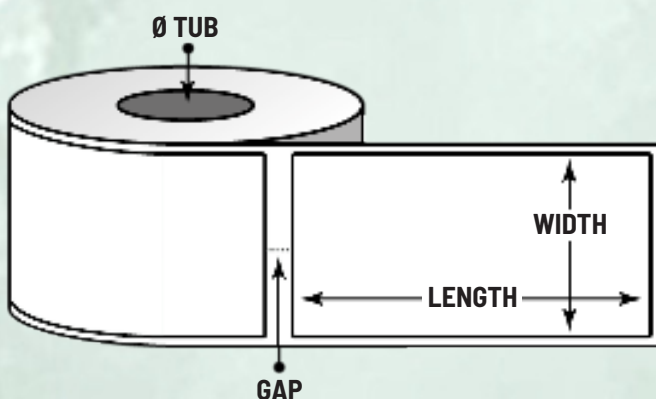


VARIETY OF MODELS AND DIMENSIONS

we produce self-adhesive labels in various other sizes & models. benefit from products made according to the requirements your.

SELF-ADHESIVE LABELS | KEY FEATURE

- Our round labels can provide a printed black image with fast ink dry time and smudge resistance. Labels can be used for direct thermal printers that do not require ribbon.
- Water resistant labels can be used in a wide range of temperatures.
- Round labels can be used in many industries: jewellery price tag, warehouse management, material indication, etc.
- We can make circle sizes to customer requirements. Circle size can be 5 mm, 10 mm, 15 mm, 20 mm, 30 mm, 40 mm, 50 mm, 60 mm etc.
- Label colours can be red, yellow, green, blue, white, magenta etc.
- In addition to round thermal labels, we also have round inkjet roll labels used for thermal transfer, inkjet and laser office printers.





Roltech

HARTIE ROLTECH S.R.L.

00 40 744 217 151
00 40 755 866 877



WE SPEAK ENGLISH | ROMANIAN | GERMAN



www.roltech.ro



office@roltech.ro



Str. Calea Nationala nr. 32
710012 Botosani | Romania

