

Safety Break-Away Couplings.....	152-156
Dry Quick Disconnect.....	157-159
Dry Aviation.....	160-161
Dry Gas.....	162
Dry Break Cam & Groove.....	163-164
Bayonet Style.....	165



Safety Break-Away Couplings - Breaking Bolt Series Industrial Version



Application:	The breaking bolt industrial breakaway coupling is designed to minimise spillage and damage associated with drive away and pull away incidents.
Design:	Coupling automatically senses an excessive load, closes the valves and disconnects. Simple mechanism, no loose components lost after release. High flow rate / low pressure drop. Female NPT & BSP is standard, optional ANSI / DIN flanges are available. 10" and 12" sizes also available; consult Dixon™ for more information.
Material:	• Stainless steel or aluminium; others on request
Working Pressure:	• SS - 360 PSI @ 21°C (70°F) • AL - 230 PSI @ 21°C (70°F)
Seal:	• FKM is standard seal

Size (inch)	Width (mm)	Length (mm)	Weight (kg)		Flow Rate / LPM
			SS	AL	
2	114	178	2.3	1.4	757
3	173	279	8.2	3.6	2460
4	210	305	15.4	6.4	3028
5	269	356	32.3	12.3	4164
6	305	406	45.9	15.9	5678
8	343	450	71.4	30	14000

D

Industrial Version - Female x Female



Size (inch)	DN	Stainless Steel	Aluminium
		Part No.	Part No.
NPT			
2	50	SBC200SS-DE	SBC200AL-DE
3	80	SBC300SS-DE	SBC300AL-DE
4	100	SBC400SS-DE	SBC400AL-DE
5	125	SBC500SS-DE	SBC500AL-DE
6	150	SBC600SS-DE	SBC600AL-DE
BSP			
2	50	SBC200SSA-DE	SBC200ALA-DE
3	80	SBC300SSA-DE	SBC300ALA-DE
4	100	SBC400SSA-DE	SBC400ALA-DE
5	125	SBC500SSA-DE	SBC500ALA-DE
6	150	SBC600SSA-DE	SBC600ALA-DE

Industrial Version - Male x Male



Size (inch)	DN	Stainless Steel	Aluminium
		Part No.	Part No.
NPT			
2	50	SBC200SSMNPT-DE	SBC200ALMNPT-DE
3	80	SBC300SSMNPT-DE	SBC300ALMNPT-DE
4	100	SBC400SSMNPT-DE	SBC400ALMNPT-DE
5	125	SBC500SSMNPT-DE	SBC500ALMNPT-DE
6	150	SBC600SSMNPT-DE	SBC600ALMNPT-DE
BSP			
2	50	SBC200SSMBSP-DE	SBC200ALMBSP-DE
3	80	SBC300SSMBSP-DE	SBC300ALMBSP-DE
4	100	SBC400SSMBSP-DE	SBC400ALMBSP-DE
5	125	SBC500SSMBSP-DE	SBC500ALMBSP-DE
6	150	SBC600SSMBSP-DE	SBC600ALMBSP-DE

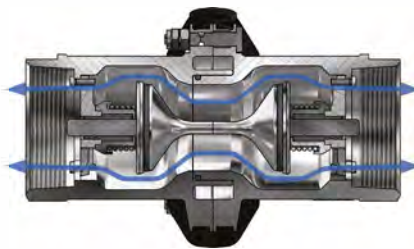
Industrial Version - ANSI150 Flange x ANSI150 Flange

Size (inch)	DN	Stainless Steel	Aluminium
		Part No.	Part No.
2	50	SBC200SSFL-DE	SBC200ALFL-DE
3	80	SBC300SSFL-DE	SBC300ALFL-DE
4	100	SBC400SSFL-DE	SBC400ALFL-DE
5	125	SBC500SSFL-DE	SBC500ALFL-DE
6	150	SBC600SSFL-DE	SBC600ALFL-DE
8	200	SBC800SSFL-DE	SBC800ALFL-DE



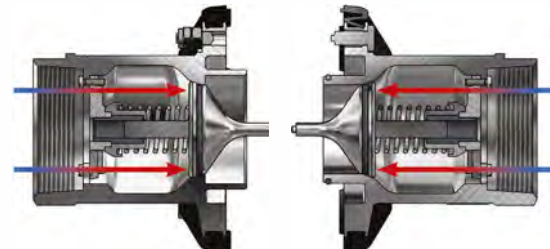
How it Works

Safety break-away couplings have three external break bolts. In the case of axial tension all the bolts take up the force corresponding to the break force on the hose with a safety margin. Non-axial forces concentrate the tension forces more strongly on one bolt, so that the safety break-away coupling reacts in a natural way to the reduction of the hose break forces.



BEFORE Emergency Disconnect

The safety break-away valve consists of two halves, each with a valve that has an O-ring seal.



AFTER Emergency Disconnect

When the safety break-away couplings separate, the valves are able to close. The two valves close rapidly, minimising exposure to personnel and the environment.

Optional Non-Closure Design

The non-closure design is an economical alternative, which allows the coupling to break away due to pull-away/drive-away incidents, thus protecting piping systems and equipment. This design allows spillage of product in these instances due to the lack of valving in the coupling. Useful in applications where non-hazardous product is being conveyed and where there are no environmental concerns. Available in both industrial and marine versions. Consult Dixon™ for more information.

Safety Break-Away Couplings - Breaking Bolt Series Marine Version



Application:	The breaking bolt marine version break-away coupling is designed to minimise spillage and damage associated with pull-away incidents. Typical applications include: ship-to-offshore platform and ship-to-ship product transfer operations.
Design:	Designed to be installed within a hose string where the coupling will have a length of hose attached to both sides. Coupling automatically senses an excessive load, closes the valves and disconnects. Release is executed when force causes bolts to break. Female NPT or BSP is standard; optional ANSI / DIN flanges are available. 10" and 12" sizes also available. Consult Dixon™ for more information.
Material:	• 316T1 stainless steel body with FKM O-rings
Working Pressure:	• 360 PSI @ 21°C (70°F)

Size (inch)	Width (mm)	Length (mm)	Weight (kg)	Flow Rate / LPM
2	114	178	2.3	757
3	157	279	8.2	2460
4	210	305	15.4	3028
5	269	356	32.3	4164
6	305	406	45.8	5678
8	343	450	71.2	14000

D

Marine Version - Female x Female



Size (inch)	DN	Stainless Steel	
		Part No.	
NPT			
2	50	MSBC200SS-DE	
3	80	MSBC300SS-DE	
4	100	MSBC400SS-DE	
5	125	MSBC500SS-DE	
6	150	MSBC600SS-DE	
BSP			
2	50	MSBC200SSA-DE	
3	80	MSBC300SSA-DE	
4	100	MSBC400SSA-DE	
5	125	MSBC500SSA-DE	
6	150	MSBC600SSA-DE	

Marine Version - Male x Male



Size (inch)	DN	Stainless Steel	
		Part No.	
NPT			
2	50	MSBC200SSMNPT-DE	
3	80	MSBC300SSMNPT-DE	
4	100	MSBC400SSMNPT-DE	
5	125	MSBC500SSMNPT-DE	
6	150	MSBC600SSMNPT-DE	
BSP			
2	50	MSBC200SSMBSP-DE	
3	80	MSBC300SSMBSP-DE	
4	100	MSBC400SSMBSP-DE	
5	125	MSBC500SSMBSP-DE	
6	150	MSBC600SSMBSP-DE	

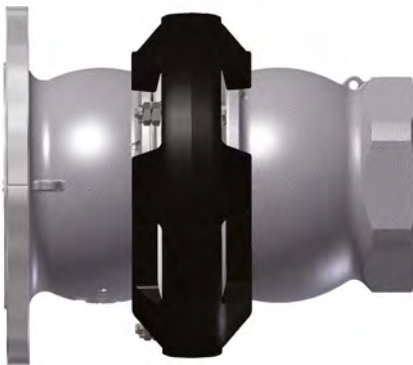
Marine Version - 150# Flange x 150# Flange

Size (inch)	DN	Stainless Steel	
		Part No.	
2	50	MSBC200SSFL-DE	
3	80	MSBC300SSFL-DE	
4	100	MSBC400SSFL-DE	
5	125	MSBC500SSFL-DE	
6	150	MSBC600SSFL-DE	
8	200	MSBC800SSFL-DE	



Industrial and marine safety break-away couplings are also available in BSP thread, DN flange, 300# ASA flange, grooved ends, or any combination thereof.

D



Flange / Thread
(BSP / NPT female / male or grooved)



NPT Female Thread / NPT Male Thread
(also available with BSP)



Grooved / Grooved



NPT Female Thread / Grooved

Safety Break-Away Couplings - Cable Release Series



Design:

Material:

Working Pressure:

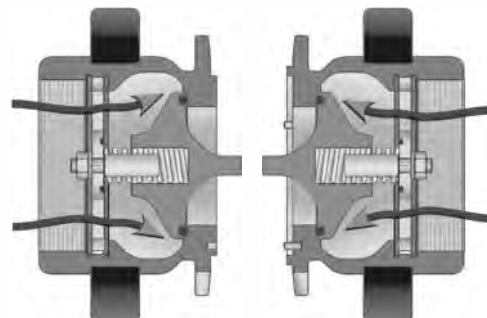
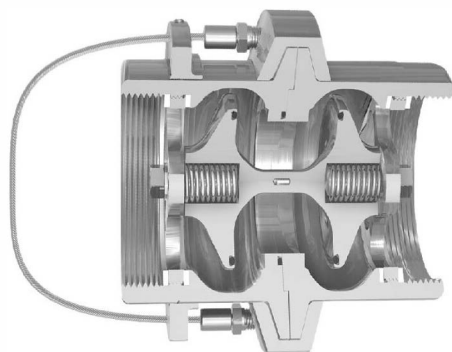
The cable release series break-away couplings are designed to minimise spillage and damage associated with drive-away and pull-away incidents. Couplings feature a simple mechanism and no loose components to lose after release. In some applications the necessary force of the breaking bolts may be too high to prevent damage to loading arms or other pipe and equipment; under these conditions the use of cable release safety break-aways may be more suitable. Coupling automatically senses an excessive load, closes the valves and disconnects. Release is executed by pulling out the locking bolts with the help of a cable. When the coupling separates, the poppets close.

- 316T1 stainless steel body with FKM O-rings
- 360 PSI

Industrial Version						
Size (inch)	DN	Part No.	Width (mm)	Length (mm)	Weight (kg)	Flow Rate / LPM
1½	40	SBC150SS-CR-DE	98	142	3.1	378
2	50	SBC200SS-CR-DE	110	144	4.1	500
3	80	SBC300SS-CR-DE	145	195	8.5	1000
4	100	SBC400SS-CR-DE	185	226	16.1	1500



How it Works



The safety break-away valve consists of two halves, each with a valve that has a flat type-sealing surface similar to a dry disconnect coupling.

When the safety break-away couplings separate, the poppets are able to close. The two poppets close rapidly, minimising exposure to personnel and the environment.

Optional Non-Closure Design

The non-closure design is an economical alternative, which allows the coupling to break away due to pull-away / drive-away incidents, thus protecting piping systems and equipment. This design also allows spillage of product in these instances due to the lack of valving in the coupling. Useful in applications where non-hazardous product is being conveyed and where there are no environmental concerns. Available in both industrial and marine versions. Consult Dixon™ for more information.

When your product is:

- Expensive
- Expensive to clean up
- Expensive to reprocess or dispose
- Hazardous to workers or the environment
- Prone to accidental spillage and product loss

Dry disconnect couplings are designed for quick and spill-free connection and disconnection of hoses and pipelines.

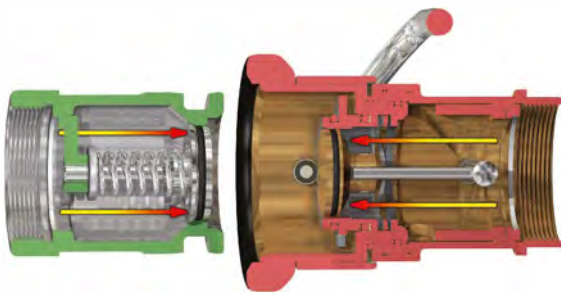


Applications:	<ul style="list-style-type: none"> • Used by producers of ink, adhesives, fatty acids, pharmaceuticals, liquid soaps, petroleum, chemicals, agricultural products, and a wide variety of common caustic and specialty acids • Designed for the quick and spill-free connection and disconnection of hoses and pipelines
Features:	<ul style="list-style-type: none"> • Easy to handle: push and turn = free flow; turn and pull = closed • Time saving: no need to drain hoses or pipe systems • Economical: no loss or spillage of liquids at connection or disconnection • Safety: the valve cannot be opened until the unit is coupled • Environmentally friendly: accidental spillage eliminated when properly used • Safe and reliable: due to rugged construction • Product life: uncomplicated design and high-quality materials ensures long product life • Selectivity: To avoid product contamination, selective versions of the couplers and adaptors are available. Contact Dixon™ for further information. • Produced according to NATO standard STANAG 3756 and ATOFINA SGM 2049.TUY.C. • Working pressure at ambient temperature 21°C (70°F): <ul style="list-style-type: none"> aluminium: 230 PSI, up to 4" brass/ gunmetal: 230 PSI, up to 4" stainless steel: 360 PSI • Standard seal supplied: FKM • Optional seals: <ul style="list-style-type: none"> EPDM NBR - nitrile Kalrez® Chemraz® • Seal kits are available • Interchanges with Avery Hardoll and Todo-matic®



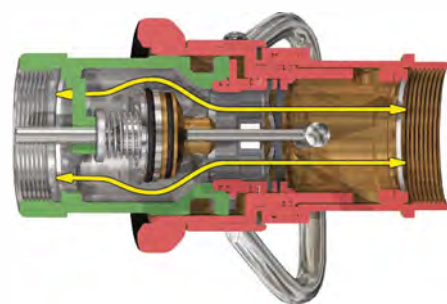
How it Works

The principle of operation is identical for all sizes of couplings.



Closed:

- Turn and pull: it's released - *no spillage*



Open:

- Push and turn: it's coupled - *full flow*

Dry Quick Disconnect Coupler - Hose Unit



6" Design



3" & 4" Design



1½" & 2" Design



¾" & 1" Design

Design:	<ul style="list-style-type: none"> Coupler has built-in swivel and riveted piston pin to minimise the risk for failure under extreme pressure conditions.
Material:	<ul style="list-style-type: none"> Stainless steel ball bearings, shaft journal in stainless steel embedded in PTFE to eliminate seizure Protecting ring is weather-resistant rubber, electrically conductive All wetted parts are stainless steel, rollers for the stainless steel units are Hastelloy™ C276 on the stainless steel shaft Rollers for the aluminium and brass units are aluminium-bronze on the stainless steel shaft Composite plugs provide very good protection against corrosion and withstand hot and cold environments

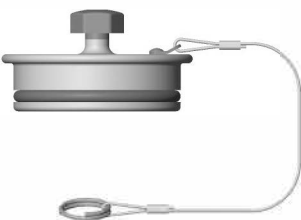
Female NPT with FKM Seals

Female (inch)	Body Size (mm)	316 Stainless Steel	Anodised Aluminium
		Part No.	Part No.
NPT			
¾	56	DDC075SS-DE	DDC075AL-DE
1	56	DDC100SS-DE	DDC100AL-DE
1½	70	DDC150SS-DE	DDC150AL-DE
2	70	DDC200SS-DE	DDC200AL-DE
3	105	DDC300SS105-DE	DDC300AL 105-DE
3	119	DDC300SS-DE	DDC300AL-DE
4	164	DDC400SS-DE	DDC400AL-DE
6	238	DDC600SS-DE	DDC600AL-DE
BSP			
¾	56	DDC075SSA-DE	DDC075ALA-DE
1	56	DDC100SSA-DE	DDC100ALA-DE
1½	70	DDC150SSA-DE	DDC150ALA-DE
2	70	DDC200SSA-DE	DDC200ALA-DE
3	105	DDC300SSA105-DE	DDC300ALA105-DE
3	119	DDC300SSA-DE	DDC300ALA-DE
4	164	DDC400SSA-DE	DDC400ALA-DE
6	238	DDC600SSA-DE	DDC600ALA-DE

Female NPT with FKM Seals

Female (inch)	Body Size (mm)	Part No.
Brass / Gunmetal - NPT		
¾	56	DDC075BR-DE
1	56	DDC100BR-DE
1½	70	DDC150BR-DE
2	70	DDC200BR-DE
3	105	DDC300GM105-DE
3	119	DDC300GM-DE
4	164	DDC400GM-DE

Dust Plugs for Couplers



Size (inch)	Body Size (mm)	Part No.
¾ & 1	56	DDDP075-DE
1½ & 2	70	DDDP150-DE
3	105	DDDP300105-DE
3	119	DDDP300-DE
4	164	DDDP400-DE
6	238	DDDP600-DE ¹

¹ 6" dust plug is aluminium.

Dry Quick Disconnect Adaptor - Tank Unit

Application:	<ul style="list-style-type: none"> The adaptor is usually typically on the tank or manifold Available in male and female BSP, NPT, or 150# ASA flange (ANSI)
Design:	<ul style="list-style-type: none"> Conical valve seat to eliminate the risk of "piston blow out" PTFE bearing between the piston shaft and the piston guide to eliminate the risk for seizure
Material:	<ul style="list-style-type: none"> Aluminium adaptor - aluminium poppet, stainless steel internal parts Stainless steel adaptor - stainless steel poppet, stainless steel internal parts Brass / gunmetal adaptor - brass poppet, brass and stainless steel internal parts Composite caps provide very good protection against corrosion and withstand hot and cold environments

Adaptors x Female NPT with FKM Seals

Female (inch)	Body Size (mm)	316 Stainless Steel	Brass / Gunmetal
		Part No.	Part No.
NPT			
¾	56	DDA075SS-DE	DDA075BR-DE
1	56	DDA100SS-DE	DDA100BR-DE
1½	70	DDA150SS-DE	DDA150BR-DE
2	70	DDA200SS-DE	DDA200BR-DE
3	105	DDA300SS105-DE	DDA300GM105-DE
3	119	DDA300SS-DE	DDA300GM-DE
4	164	DDA400SS-DE	DDA400GM-DE
6	238	DDA600SS-DE	-
BSP			
¾	56	DDA075SSA-DE	-
1	56	DDA100SSA-DE	-
1½	70	DDA150SSA-DE	-
2	70	DDA200SSA-DE	-
3	105	DDA300SSA105-DE	-
3	119	DDA300SSA-DE	-
4	164	DDA400SSA-DE	-
6	238	DDA600SSA-DE	-



Female NPT x Adaptor

Adaptors x 150# ASA (ANSI) Flange with FKM Seals

150# Flange (inch)	Body Size (mm)	316 Stainless Steel	Anodised Aluminium	Brass / Gunmetal
		Part No.	Part No.	Part No.
¾	56	DDA075SSFL-DE	DDA075ALFL-DE	DDA075BRFL-DE
1	56	DDA100SSFL-DE	DDA100ALFL-DE	DDA100BRFL-DE
1½	70	DDA150SSFL-DE	DDA150ALFL-DE	DDA150BRFL-DE
2	70	DDA200SSFL-DE	DDA200ALFL-DE	DDA200BRFL-DE
3	105	DDA300SS105FL-DE	DDA300AL105FL-DE	DDA300GM105FL-DE
3	119	DDA300SSFL-DE	DDA300ALFL-DE	DDA300GMFL-DE
4	164	DDA400SSFL-DE	DDA400ALFL-DE	DDA400GMFL-DE
6	238	DDA600SSFL-DE	DDA600ALFL-DE	-



150# Flange x Adaptor

Adaptors x TTMA Flange with FKM Seals

TTMA Flange (inch)	Body Size (mm)	Anodised Aluminium
		Part No.
3	105	DDA300AL105TTMA-DE
3	119	DDA300AL119TTMA-DE
4	164	DDA400AL164TTMA-DE



TTMA Flange x Adaptor

Dust Caps for Adaptors

Size (inch)	Body Size (mm)	Composite
		Part No.
¾ & 1	56	DDDC075-DE
1½ & 2	70	DDDC150-DE
3	105	DDDC300105-DE
3	119	DDDC300-DE
4	164	DDDC400-DE
6	238	DDDC600-DE ¹



Composite Dust Cap

¹ 6" dust plug is aluminium.

Dry Aviation - Hose Unit Coupler



Female Thread x Coupler

Application:	<ul style="list-style-type: none"> Dry aviation couplings are designed for use in aviation and military refuelling systems.
Design:	<ul style="list-style-type: none"> Not configured for under wing refuelling. Riveted piston pin minimises the risk of failure under extreme pressure conditions
Materials:	<ul style="list-style-type: none"> Coupling ring: gunmetal Bayonet flange and inner parts: stainless steel and aluminium Stainless steel ball bearings Gunmetal coupling ring minimises the risk of seizure Stainless steel shaft journal embedded in PTFE to eliminate seizure PTFE bearings between the driving plate and the piston guide eliminates the risk of seizure Plugs in composite, provide very good protection against corrosion and withstand both hot and cold environments The protective ring is a specially formulated weather-resistant and electrically conductive rubber compound
Approvals:	<ul style="list-style-type: none"> Manufactured to accept international standard 2½" point bayonet, hose end refuelling nozzles according to: ISO45 / MS24484 / STANAG3105 / British Aerospace Spec. 2C14.
Working Pressure:	<ul style="list-style-type: none"> 150 PSI

Couplers x Female NPT with FKM Seals

Female NPT (inch)	Body Size	Material	Part No.
2½	ISO 45	Aluminium	DAC250AL-DE
3	ISO 45	Aluminium	DAC300AL-DE

Couplers x Female BSP with FKM Seals

Female BSP (inch)	Body Size	Material	Part No.
2½	ISO 45	Aluminium	DAC250ALBSP-DE
3	ISO 45	Aluminium	DAC300ALBSP-DE

Dry Aviation - Sight Flow Indicator with Filter / Screen



Design:	<ul style="list-style-type: none"> Filter / screen can be inspected through the sight glass and is easily removed if cleaning is required.
Material:	<ul style="list-style-type: none"> Screen - 100 mesh

Female Thread (inch)	Male Thread (inch)	Material	Part No.
2½ NPT	2½ BSP	Aluminium	ASFI25T25B-DE
3 NPT	3 BSP	Aluminium	ASFI30T30B-DE
2½ NPT	2½ NPT	Aluminium	ASFI25T25T-DE
3 NPT	3 NPT	Aluminium	ASFI30T30T-DE

Dry Aviation Dust Plug for Couplers



Size (inch)	Body Size (mm)	Composite
		Part No.
2½ and 3	ISO 45	DADP250-DE

Dry Aviation - Tank Unit Adaptor

Application:	<ul style="list-style-type: none"> Dry Aviation couplings are designed for use in aviation and military refuelling systems.
Design:	<ul style="list-style-type: none"> Not configured for under wing refuelling.
Materials:	<ul style="list-style-type: none"> Body: high-strength aluminium Coupling ring: gunmetal Bayonet flange and inner parts: stainless steel and aluminium All wetted parts are in aluminium and stainless steel Gunmetal coupling ring minimises the risk of seizure PTFE bearings between the piston shaft and the piston guide eliminate the risk of seizure Conical valve seat eliminates the risk of piston blowout when extreme pressure is used Composite cap provides good protection against corrosion and can withstand both hot and cold environments
Approvals:	<ul style="list-style-type: none"> Manufactured to accept international standard 2½" point bayonet, hose end refuelling nozzles according to: ISO45 / MS24484 / STANAG3105 / British Aerospace Spec. 2C14.
Working Pressure:	<ul style="list-style-type: none"> 150 PSI

Couplers x Female NPT with FKM Seals

Female NPT (inch)	Body Size (mm)	Material	Part No.
2½	ISO 45	Aluminium	DAA250AL-DE
3	ISO 45	Aluminium	DAA300AL-DE

Adaptors x 150# ASA (ANSI) Flange with FKM Seals

150# Flange (inch)	Body Size (mm)	Material	Part No.
2½	ISO 45	Aluminium	DAA250ALFL-DE
3	ISO 45	Aluminium	DAA300ALFL-DE

Also available with 4" TTMA Flange



Dry Aviation Dust Cap for Adaptors

Size (inch)	Body Size (mm)	Composite
		Part No.
2½ & 3	ISO 45	DADC250-DE



Dry Disconnect Fittings for Steam Service

Application:	<ul style="list-style-type: none"> Designed to fit hoses carrying steam used in chemical (heating), pharmaceutical (disinfection and sterilisation) and at loading bays
Material:	<ul style="list-style-type: none"> Coupling housing and all inner parts are stainless steel Seals are EPDM (standard); contact Dixon™ for other materials
Features:	<ul style="list-style-type: none"> Unintentional separation is eliminated, preventing accidents and avoiding unintended down time. Performance unaffected by surface rust. Lockable versions are available; contact Dixon™ for more information.

Female NPT Size (inch)	Body Size (mm)	Part No.
Stainless Steel Coupler		
¾	56	DDSC075SS-DE
1	56	DDSC100SS-DE
1½	70	DDSC150SS-DE
2	70	DDSC200SS-DE
Stainless Steel Adaptor		
¾	56	DDSA075SS-DE
1	56	DDSA100SS-DE
1½	70	DDSA150SS-DE
2	70	DDSA200SS-DE



Coupler



Adaptor

Dry Gas Couplings

D



Application:	<ul style="list-style-type: none"> Dry gas couplings are designed for safe loading and discharge of bobtails or intermediate bulk delivery trucks. They are quick and easy to connect and can be connected to a tank unit with pressures up to 225 PSI. If the pressure is higher you can equip the couplings with a pressure relief valve. The easy-to-connect pressure relief valve dissipates trapped fluid pressure into the hose coupler without spillage. The primary application of dry gas couplings is in the handling of LPG - propane and butane.
Design:	<ul style="list-style-type: none"> Safe handling of LPG Easy to use and saves time Reliable and easy to maintain Can be coupled against higher pressure Minimises the risk of cold burns Minimises spillage and product loss Minimises health risks Keeps the environment free of hazardous vapours and liquids Compatible with existing dry disconnect couplings
Materials:	<ul style="list-style-type: none"> Stainless steel and brass / gunmetal NBR90 seals Female NPT and ASA (ANSI) flanges Caps and plugs in composite provide a very good protection against corrosion and withstand both hot and cold environments
Working Pressure:	360 PSI

Couplers x Female NPT with NBR90 Seals (Hose Unit)

Female NPT (inch)	Body Size (mm)	Material	Part No.
1	56	Stainless Steel	DGC100SS-DE
2	71	Stainless Steel	DGC200SS-DE
3	119	Stainless Steel	DGC300SS-DE

Composite Dust Plug for Couplers

Size (inch)	Body Size (mm)	Material	Part No.
1	56	Composite	DGDP100-DE
3	119	Composite	DGDP300-DE

Adaptors x Female NPT with NBR90 Seals (Tank Unit)

Female NPT (inch)	Body Size (mm)	Material	Part No.
1	56	Stainless Steel	DGA100SS-DE
2	71	Stainless Steel	DGA200SS-DE
3	119	Stainless Steel	DGA300SS-DE

Adaptors x Female ACME Thread with FKM Seals

Female ACME (inch)	Body Size (mm)	Material	Part No.
1 1/4	56	Stainless Steel	DGA100SS175-DE
3/4	71	Stainless Steel	DGA200SS325-DE

Adaptors x 150# ASA (ANSI) Flange with NBR90 Seals (Tank Unit)

150# Flange (inch)	Body Size (mm)	Material	Part No.
1	56	Stainless Steel	DGA100SSFL-DE
2	71	Stainless Steel	DGA200SSFL-DE
3	119	Stainless Steel	DGA300SSFL-DE

Rubber Dust Cap for Adaptors

Size (inch)	Body Size (mm)	Material	Part No.
1	56	Rubber	DGDC100-DE
2	71	Rubber	DGDC200-DE
3	119	Rubber	DGDC300-DE

Dry Break Cam & Groove Dry Disconnect Couplings - Couplers ¹

Application:	• Fully interchangeable with Kamvalok (OPW trademark) style fittings
Design:	• Dixon™ EZ Boss-Lock™ cam arms standard on all 1½" and 2" fittings provide high security from accidental opening due to vibration or snagging. Large paddle type locking cam arms standard on 3" fittings, allowing for an easy grip. Dry disconnect coupler has automatic closing poppet assembly. Strong handle attachment prevents bending of crank assembly
Materials:	• Heavy-duty stainless steel crank and link • Stainless steel investment cast handles • Aluminium fittings have stainless steel ³ internals

Female NPT (inch)	Coupler Size (inch)	Seal Material	Part No. ⁴
Aluminium			
1½	2	Buna	DBC61-150
2	2½	Buna	DBC61-200
3	4	Buna	DBC61-300
1½	2	FKM	DBC62-150
2	2½	FKM	DBC62-200
3	4	FKM	DBC62-300
1½	2	PTFE Encapsulated Silicone and FFPM	DBC63-150
2	2½	PTFE Encapsulated Silicone and FFPM	DBC63-200
3	4	PTFE Encapsulated Silicone and FFPM	DBC63-300
1½	2	EPT	DBC64-150
2	2½	EPT	DBC64-200
3	4	EPT	DBC64-300
2	2½	FFPM and PTFE ²	DBC66-200
3	4	FKM B	DBC69-300
Stainless Steel ³			
1½	2	Buna	DBC71-150
2	2½	Buna	DBC71-200
3	4	Buna	DBC71-300
1½	2	FKM	DBC72-150
2	2½	FKM	DBC72-200
3	4	FKM	DBC72-300
1½	2	PTFE Encapsulated Silicone and FFPM	DBC73-150
2	2½	PTFE Encapsulated Silicone and FFPM	DBC73-200
3	4	PTFE Encapsulated Silicone and FFPM	DBC73-300
1½	2	EPT	DBC74-150
2	2½	EPT	DBC74-200
3	4	EPT	DBC74-300
1½	2	FFPM and PTFE ²	DBC76-150
2	2½	FFPM and PTFE ²	DBC76-200
3	4	FFPM and PTFE ²	DBC76-300
1½	2	PTFE Encapsulated FKM and FFPM	DBC77-150
2	2½	PTFE Encapsulated FKM and FFPM	DBC77-200
3	4	PTFE Encapsulated FKM and FFPM	DBC77-300
3	4	FKM B	DBC79-300

Greaseless Coupler x Female NPT (Stainless Steel)

Female NPT (inch)	Coupler Size (inch)	Seal Material	Part No. ⁴
1½	2	PTFE Encapsulated FKM and FFPM	DBC77-150-GL
2	2½	PTFE Encapsulated FKM and FFPM	DBC77-200-GL

Coupler x 90° Swivel Female NPT (Aluminium)

Female NPT (inch)	Coupler Size (inch)	Seal Material	Part No. ⁴
2	2½	Buna	DBS61-200
2	2½	FKM	DBS62-200
2	2½	PTFE Encapsulated Silicone and FFPM	DBS63-200

Dust Plugs for Couplers

Size (inch)	Aluminium Part No.
2	ALDC200DP
2½	ALDC250DP
4	ALDC400DP

Locking Kit for Couplers

Description	Material	Part No.
For use with 1½" & 2" dry disconnect couplers	Aluminium	DBCL-200
For use with 3" dry disconnect couplers	Aluminium	DBCL-300



1½" & 2" Coupler x Female NPT



3" Coupler x Female NPT

- ¹ A DBA style adaptor is required for coupler to operate. Adaptor sold separately.
- ² FFPM gasket, main seal O-ring and handle O-ring. PTFE seals on cylinder assembly, stuffing box, and seal under poppet screw.
- ³ Stainless steel corrosion resistance is equivalent to 304 stainless steel.
- ⁴ Available in BSP upon request.



NOTE: Must be used with a DBA style adaptor for coupler to operate. Adaptor sold separately.



Dry Break Cam & Groove Dry Disconnect Couplings - Adaptors

Application:	<ul style="list-style-type: none"> Compatible with most cam & groove style dry disconnects. Fully interchangeable with Kamvalok (OPW trademark) style fittings
Design:	<ul style="list-style-type: none"> The Bayco™ dry disconnect helps prevent spillage from normal or accidental disconnects. It has a spring-loaded sealing device designed to "snap" closed should the valve become disconnected with the poppet open, significantly limiting liquid loss. Two-piece adaptor design for easy rebuilding of adaptors
Material:	<ul style="list-style-type: none"> Aluminium fittings have aluminium nose piece and brass piston

Adaptor x Female NPT

Female NPT (inch)	Adaptor Size (inch)	Seal Material	Part No. ²
Aluminium			
1½	2	Buna	DBA11-150
2	2½	Buna	DBA11-200
3	4	Buna	DBA11-300
1½	2	FKM	DBA12-150
2	2½	FKM	DBA12-200
3	4	FKM	DBA12-300
1½	2	PTFE Encapsulated Silicone	DBA63-150
2	2½	PTFE Encapsulated Silicone	DBA63-200
3	4	PTFE Encapsulated Silicone	DBA63-300
1½	2	EPT	DBA64-150
2	2½	EPT	DBA64-200
3	4	EPT	DBA64-300
1½	2	FFPM	DBA66-150
2	2½	FFPM	DBA66-200
3	4	FFPM	DBA66-300
3	4	PTFE Encapsulated FKM	DBA69-300
Stainless Steel ¹			
1½	2	Buna	DBA71-150
2	2½	Buna	DBA71-200
3	4	Buna	DBA71-300
1½	2	FKM	DBA72-150
2	2½	FKM	DBA72-200
3	4	FKM	DBA72-300
1½	2	PTFE Encapsulated Silicone	DBA73-150
2	2½	PTFE Encapsulated Silicone	DBA73-200
3	4	PTFE Encapsulated Silicone	DBA73-300
1½	2	EPT	DBA74-150
2	2½	EPT	DBA74-200
3	4	EPT	DBA74-300
1½	2	FFPM	DBA76-150
2	2½	FFPM	DBA76-200
3	4	FFPM	DBA76-300
1½	2	PTFE Encapsulated FKM	DBA77-150
2	2½	PTFE Encapsulated FKM	DBA77-200
3	4	PTFE Encapsulated FKM	DBA77-300

Adaptor x 150# ASA Flange (Stainless Steel)

Flange Size (inch)	Adaptor Size (inch)	Seal Material	Part No.
2	2	FKM	DBAF72-1520
2	2½	FKM	DBAF72-200
3	4	FKM	DBAF72-300
2	2	PTFE Encapsulated Silicone	DBAF73-1520
2	2½	PTFE Encapsulated Silicone	DBAF73-200
3	4	PTFE Encapsulated Silicone	DBAF73-300
2	2	EPT	DBAF74-1520
2	2½	EPT	DBAF74-200
3	4	EPT	DBAF74-300
2	2	FFPM	DBAF76-1520
2	2½	FFPM	DBAF76-200
3	4	FFPM	DBAF76-300

Vapour Adaptor x Female Thread (Stainless Steel)

Adaptor Size (inch)	Female Thread Size (inch)	Seal Material	Max PSI	Part No.
3	2	PTFE	150	DBAV73-2030

Dust Caps for Adaptors

Size (inch)	Aluminium Part No.
2	ALDC200DC
2½	ALDC250DC
4	ALDC400DC



¹ Stainless steel corrosion resistance is equivalent to 304 stainless steel
² Available in BSP upon request.

Note: Contact Dixon™ for compatibility, size, and material selection.
Special configurations can be designed for your application.



Bayonet Style

Application:

- For the spill-less transfer of petroleum products such as fuel oil, lube oil blending, and tank truck delivery

Features:

- Ensures a spill-free connection; fluid cannot flow until couplings are connected together and valve is opened; coupling can then not be disconnected until the valve handle is closed
- Swivels have a standard ZERK fittings
- Maximum operating pressure: **85 PSI @ 21°C (70°F)**, for pressure ratings at other temperatures contact Dixon™
- Replacement parts available; contact Dixon™ for more information

90° Swivel Coupler x Female NPT

Size (inch)	Seal Material	Material	Part No.
2	Buna	Anodized Hard Coat Aluminium	BS61-200
2	FKM	Anodized Hard Coat Aluminium	BS62-200
3	Buna	Anodized Hard Coat Aluminium	BS61-300
3	FKM	Anodized Hard Coat Aluminium	BS62-300



Straight Coupler x Female NPT

Size (inch)	Seal Material	Material	Part No.
2	Buna	Anodized Hard Coat Aluminium	BC61-200
2	FKM	Anodized Hard Coat Aluminium	BC62-200



Straight Swivel Coupler x Female NPT

Size (inch)	Seal Material	Material	Part No.
2	Buna	Anodized Hard Coat Aluminium	BSS61-200
2	FKM	Anodized Hard Coat Aluminium	BSS62-200
3	Buna	Anodized Hard Coat Aluminium	BSS61-300
3	FKM	Anodized Hard Coat Aluminium	BSS62-300



Dust Plugs

Size (inch)	Material	Part No.
2	Rubber with Stainless Steel Chain	BCP-200
3	Rubber with Stainless Steel Chain	BCP-300



Adaptor x Female NPT

Size (inch)	Seal Material	Stainless Steel Part No.	Brass Part No.	Aluminium Part No.
2	Buna	BA31-200	---	---
2	FKM	BA32-200	---	---
3	Buna	---	BA31-300	BA61-300
3	FKM	---	BA32-300	BA62-300



Dust Caps

Size (inch)	Material	Part No.
2	Rubber with Stainless Steel Chain	BAC-200
3	Rubber with Stainless Steel Chain	BAC-300

