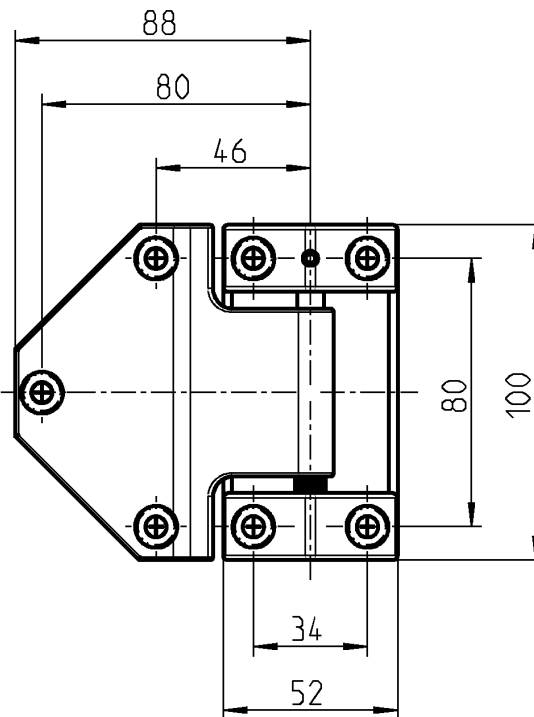
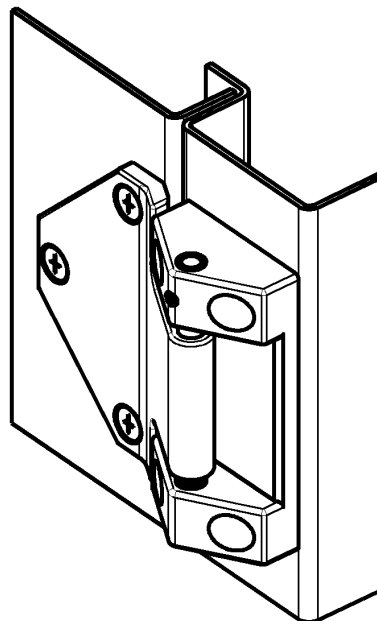
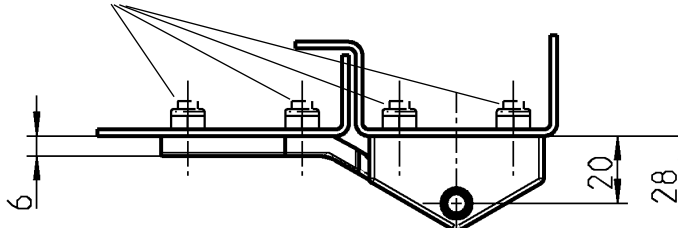


Height adjustment  $\pm 4$  mm

RH- or LH-version by turning around the door part



\* Countersunk screw small head M6x...



\* not included

small head = DIN ISO 2009, 2010, 7046-1, 7046-2, 7047

Further parts see page  
- 2D-nut

12E-120

Screw-on hinge adjustable stainless steel 1.4571, washer and hinge pin stainless steel

1054-U39