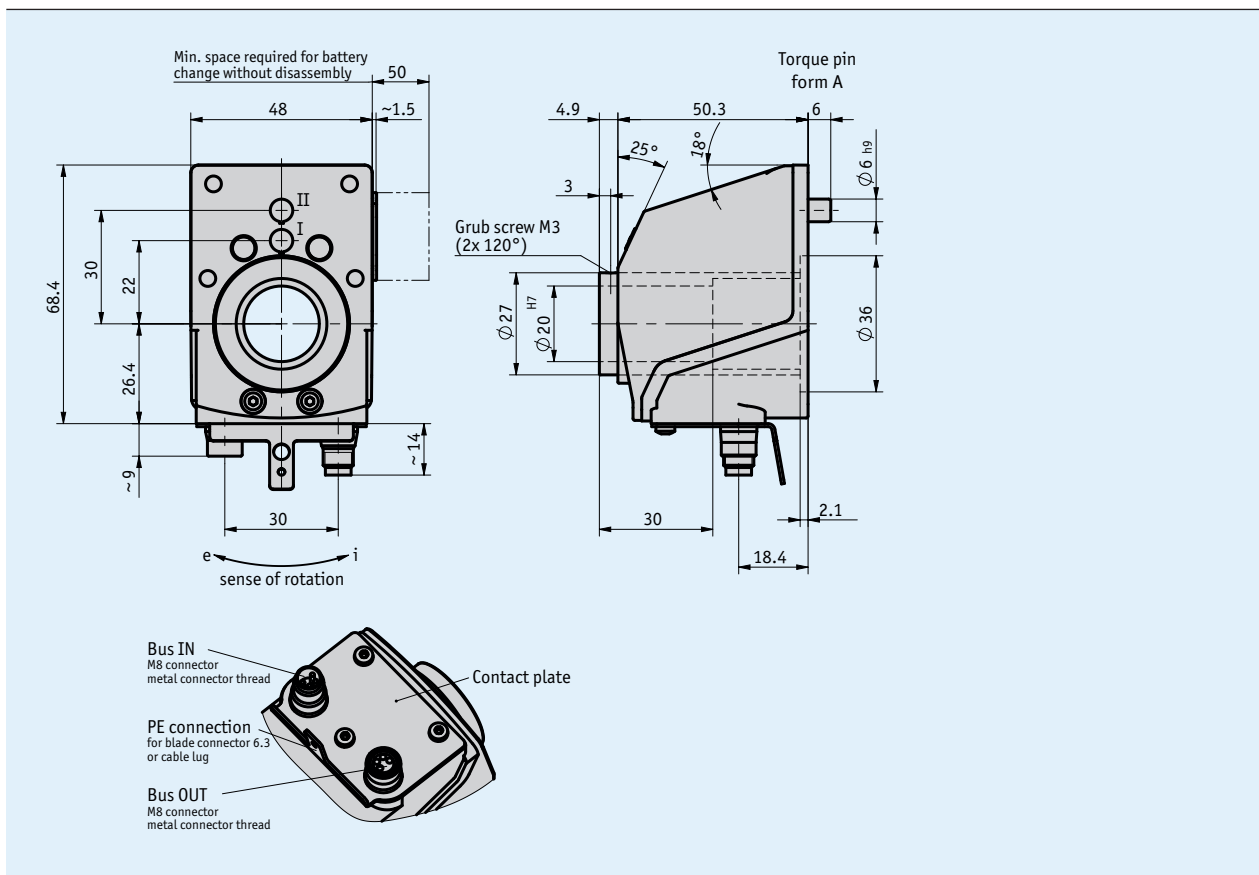


### Profile

- Electronic position indicator with bus interface
- Stainless-steel hollow shaft  $\varnothing 20$  mm, up to  $\varnothing 25.4$  mm as an option
- Backlit display
- Two-line LCD for target and actual values
- Reset, incremental measurement, offset via keyboard
- Integrated RS485 interface, CAN bus as an option
- Robust sensor technology unit thanks to magnetic scanning
- User guidance through status LEDs
- Mechanically compatible with the DA09S position indicator
- IP53 type of protection, IP65 as an option



### Mechanical data

Feature	Technical data	Additional information
Shaft	stainless steel	
Housing	reinforced plastic	metal plug thread
Color	black, RAL 9005	
Speed	≤500 rpm	

## Electrical data

Feature	Technical data	Additional information
Operating voltage	24 V DC $\pm 20\%$	
Current consumption	~30 mA	additional ~3 mA per LED when operated with LEDs
Battery service life	~5 year(s)	
Display/display range	6-digit LCD 14-segment, ~8 mm height	decimal points, 2 rows, special characters (backlit LED red/white)
Special character	cw arrow, ccw arrow, incremental measurement, battery	
Status display	2x two-color LED (red/green)	position status, configurable
Keys	incremental measurement function, parameterizing, resetting	
Bus connection	RS485; CANopen	no galvanic isolation
Type of connection	2x M8-plug connectors (A-coded) grounding via flat male tab 6.3 mm or terminal lug	4-pole, 1x socket, 1x pin

## System data

Feature	Technical data	Additional information
Scanning	magnetic	
Resolution	880 increments/revolution	displayed value/rotation freely configurable
Measuring range	$\leq 11914$ revolution(s)	

## Ambient conditions

Feature	Technical data	Additional information
Ambient temperature	0 ... 60 °C	
Storage temperature	-20 ... 80 °C	
Relative humidity		condensation inadmissible
Protection category	IP53 IP65	EN 60529, only with mating connector EN 60529, only with mating connector
Shock resistance	500 m/s <sup>2</sup> , 11 ms	EN 60068-2-27
Vibration resistance	100 m/s <sup>2</sup> , 5 ... 150 Hz	EN 60068-2-6

## Pin assignment

### ■ Interfaces

RS485	CAN bus	PIN
TxRx-/DÜB	CANL	1
TxRx+/DÜA	CANH	2
+24 V DC	+24 V DC	3
GND	GND	4

### Order

#### Ordering table

Feature	Ordering data	Specification	Additional information
Interface/protocol	CAN	CANopen	
	S3/09	RS485/SIKONETZ5	
Hollow shaft/diameter	20	∅20 mm	
	25.4	∅25.4 mm	
Torque pin/position	II	30 mm distance	
	I	22 mm distance	optional
Protection category	IP53	IP53	
	IP65	IP65	
Viewing window	SF	front foil	
	K	plastic	impact protection

#### Order key



**Scope of delivery:** AP10, Mounting instructions

#### Accessories:

Clamping plate KPL09	<a href="http://www.siko-global.com">www.siko-global.com</a>
Pneumatic clamping plate KP09P	<a href="http://www.siko-global.com">www.siko-global.com</a>
Reduction sleeve RH09	<a href="http://www.siko-global.com">www.siko-global.com</a>
Cable extension KV04S1	<a href="http://www.siko-global.com">www.siko-global.com</a>
Easy Touch Control ETC5000	<a href="http://www.siko-global.com">www.siko-global.com</a>
Mating Connector Overview	<a href="http://www.siko-global.com">www.siko-global.com</a>
Mating connector, 4-pole, socket	Order key 84209
Mating connector, 4-pole, pin	Order key 84210
Bus terminating connector, 4-pole, pin	Order key BAS-0005