

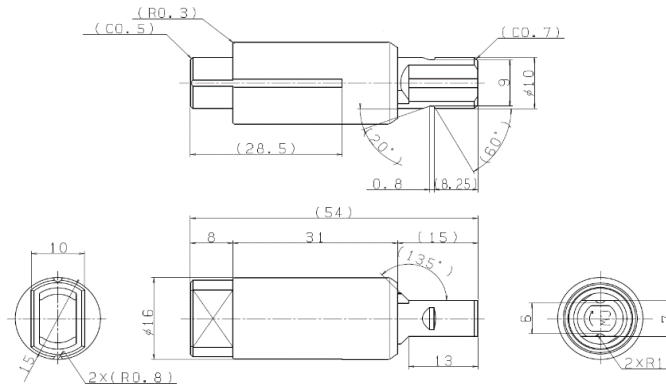
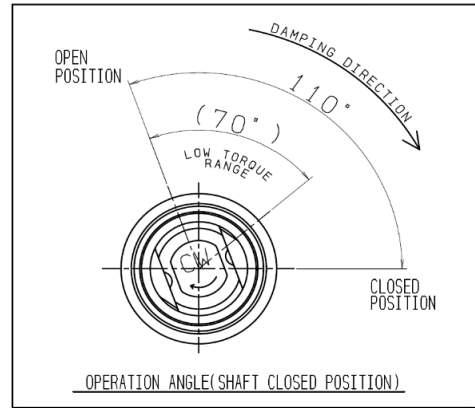
TD129 SERIES

RoHS



FEATURES

- $\phi 16$ compact damper
- high torque which is 4.0 Nm



STANDARD COMPONENTS

Part name	Material
Housing	ZDC
Shaft	ZDC
Cap	PBT

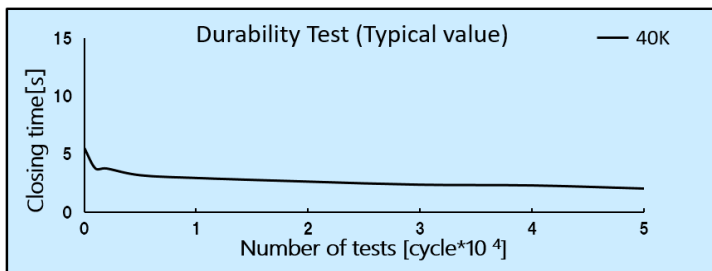
Code	Part No.	Torque N · m	Direction
612901	TD129A1-35K	3.5	CW (R)
612911	TD129B1-35K	3.5	CCW (L)
612900	TD129A1-40K	4.0	CW (R)
612910	TD129B1-40K	4.0	CCW (L)

Operation angle	110°	
Durability	50,000 cycle	
Closing time	Applied torque	Initial value
	3.5 N · m	3 ~ 15 (sec)
	4.0 N · m	3 ~ 15 (sec)

※Do not apply some axial & radial forces to gear/shaft.

※Operation temperature : 0°C~40°C (Special designing for use -20°C~60°C is also available)

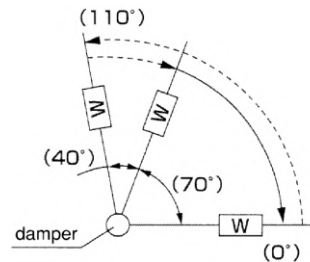
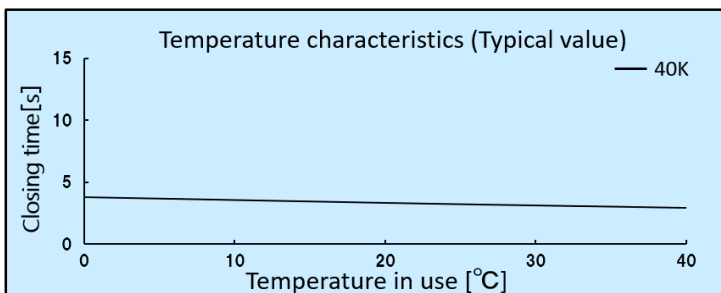
DURABILITY



TEST CONDITION

- ① Setting-up time : 15 sec / cycle
- ② Load torque : 3.5 Nm (35kgf · cm)
4.0 Nm (40kgf · cm)
- ③ Temperature : 23°C ± 2°C
- ④ Angle for measuring the closing time : 70° → 0°
- ⑤ Radial force : nothing
- ⑥ Closing time after durability test : 1 sec or more

TEMPERATURE CHARACTERISTICS



TOK, Inc.

HEAD OFFICE, TOKYO, JAPAN
TEL:81-3-3969-1584 EMAIL:en-contact@tok-inc.com

Product specification are subject to change without prior notice.

CAD Data Download

<https://bit.ly/2lPgIMo>

