

# BEV



CELY  
INDICATOR  
VC SERIES



1  
LOAD  
CELL



METROLOGICAL  
VERIFICATION  
OPTIONAL (EU)



## Main characteristics

- Set consisting of weighing platform, column and weight indicator.
- 1 load cell.
- Valid for legal metrology (see section on equipment metrological verification).

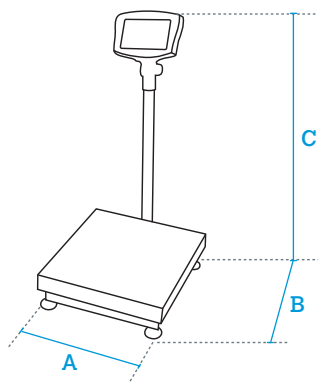
## Functions

- Weight.
- Checkweighing (minimum-maximum).
- Accumulation.
- Zero.
- Tare.
- Piece counting (only VC-50 M).

## Construction

- 3 platform versions available:
    - A- Iron structure, aluminium load cell and stainless steel plate.
    - B- Stainless steel structure, aluminium protected load cell and stainless steel plate (not suitable for saline environments).
    - C- Stainless steel structure, load cell and plate.
  - Height adjustable feet.
  - 2 weight indicator versions available:
    - VC-50 M.
    - VC-80 I.
- See section on weight indicators and repeaters.

## DIMENSIONS



DATA IN mm

A	B	C (min.)		C (max.)	
		VC-50 M	VC-80 I	VC-50 M	VC-80 I
300	300	585	530	600	545
400	400	915	860	930	875
600	600	915	860	930	875
800	800	915	860	930	875

## MODELS:

### Platform Version A

Iron Structure - Aluminium Load Cell - Stainless Steel Plate

DIMENSIONS (MM)	RANGE (KG) (3,000 div.)	VC-50 M		VC-80 I	
		Ref.		Ref.	
<b>300 x 300</b>	6		75BR50006303080_ ___		75BR80006303080_ ___
	15		75BR50015303080_ ___		75BR80015303080_ ___
	30		75BR50030303080_ ___		75BR80030303080_ ___
	60		75BR50060303080_ ___		75BR80060303080_ ___
<b>400 x 400</b>	15		75BR50015404080_ ___		75BR80015404080_ ___
	30		75BR50030404080_ ___		75BR80030404080_ ___
	60		75BR50060404080_ ___		75BR80060404080_ ___
	150		75BR50150404080_ ___		75BR80150404080_ ___
<b>600 x 600</b>	60		75BR50060606080_ ___		75BR80060606080_ ___
	150		75BR50150606080_ ___		75BR80150606080_ ___
	300		75BR50300606080_ ___		75BR80300606080_ ___
<b>800 x 800</b>	150		75BR50150808080_ ___		75BR80150808080_ ___
	300		75BR50300808080_ ___		75BR80300808080_ ___
	600		75BR50600808080_ ___		75BR80600808080_ ___

### Platform Version B

Stainless Steel Structure - Aluminium Protected Load Cell - Stainless Steel Plate

DIMENSIONS (MM)	RANGE (KG) (3,000 div.)	VC-50 M		VC-80 I	
		Ref.		Ref.	
<b>300 x 300</b>	6		75BC50006303080_ ___		75BC80006303080_ ___
	15		75BC50015303080_ ___		75BC80015303080_ ___
	30		75BC50030303080_ ___		75BC80030303080_ ___
<b>400 x 400</b>	15		75BC50015404080_ ___		75BC80015404080_ ___
	30		75BC50030404080_ ___		75BC80030404080_ ___
	60		75BC50060404080_ ___		75BC80060404080_ ___
	150		75BC50150404080_ ___		75BC80150404080_ ___
<b>600 x 600</b>	60		75BC50060606080_ ___		75BC80060606080_ ___
	150		75BC50150606080_ ___		75BC80150606080_ ___
	300		75BC50300606080_ ___		75BC80300606080_ ___
<b>800 x 800</b>	150		75BC50150808080_ ___		75BC80150808080_ ___
	300		75BC50300808080_ ___		75BC80300808080_ ___

## Platform Version C

Stainless Steel Structure - Stainless Steel Load Cell - Stainless Steel Plate

VC-80 I

DIMENSIONS (MM)	RANGE (KG) (3,000 div.)	Ref.
<b>300 x 300</b>	6	75BS80006303080_ _ _
	15	75BS80015303080_ _ _
	30	75BS80030303080_ _ _
	60	75BS80060303080_ _ _
<b>400 x 400</b>	15	75BS80015404080_ _ _
	30	75BS80030404080_ _ _
	60	75BS80060404080_ _ _
	150	75BS80150404080_ _ _
<b>600 x 600</b>	60	75BS80060606080_ _ _
	150	75BS80150606080_ _ _
	300	75BS80300606080_ _ _
<b>800 x 800</b>	150	75BS80150808080_ _ _
	300	75BS80300808080_ _ _
	600	75BS80600808080_ _ _