

# Miniature Metal Bellows Coupling I Series MKP

short design with lateral clamping hub

technical data:

MKP size	$T_N$ [Nm]	moment of inertia [kgmm <sup>2</sup> ]	torsional stiffness [Nm/arcmin]	max. shaft misalignment (mm)		spring rate [N/mm]		mass approx. [kg]	tightening torque of screws [Nm]
				axial ±	lateral	axial ±	lateral		
2	2	2,5	400	0,3	0,1	32	100	30	2
5	5	2,8	800	0,3	0,1	70	400	40	2
7	7	12	1700	0,4	0,15	70	220	80	4
8	8	25	2100	0,5	0,15	20	90	125	8
12	12	28	2600	0,4	0,15	45	190	130	8

max. operational speed: 20.000 Upm

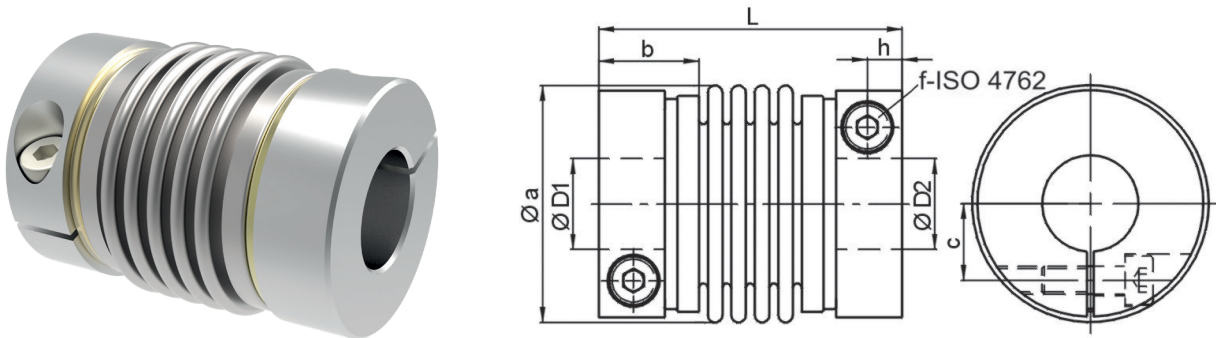
temperature range: -40°C up to +200°C

material:

hubs: high-tensile strength aluminum

bellows: stainless steel

screws: ISO 4762 / 12.9



Dimensions [mm]: length dimensions according to DIN ISO 2768 cH

MKP	Øa	b	c	f	h	L ±0,5	ØD1/2min	ØD1/2max
2	24,5 (27,5)	13	7,5 (9,6)	M 3	4,4	35	3	10 (14)
5	24,5 (27,5)	13	7,5 (9,6)	M 3	4,4	36	6	10 (14)
7	34	14	11	M 4	5	47	6	17
8	40 (44,5)	16,5	13 (15,5)	M 5	6	51	6	19 (24)
12	40 (44,5)	16,5	13 (15,5)	M 5	6	51	6	19 (24)

on request, all couplings are available with EASY-clamp

stock bores D1/D2 (G7)

MKP	Ø 4	Ø 5	Ø 6	Ø 6,35	Ø 8	Ø 9,53	Ø 10	Ø 12	Ø 14	Ø 15	Ø 16	Ø 19	Ø 20	Ø 24
2/5	•	•	•	•	•	•	•	L	L					
7			•	•	•	•	•	•	•	•	•			
8/12			•	•	•	•	•	•	•	•	•	•	L	L

note: Larger bore diameter with special hub design „L“ possible - see bracket values in the dimension table, as well as order example.

Bestellbeispiel: MKP 5 - D1 = Ø 8<sup>G7</sup> D2 = 10<sup>G7</sup>  
 MKP 5 - L - D1 = Ø 10<sup>G7</sup> D2 = 12<sup>G7</sup>  
 MKP 5 - L / L - D1 = Ø 12<sup>G7</sup> D2 = 14<sup>G7</sup>