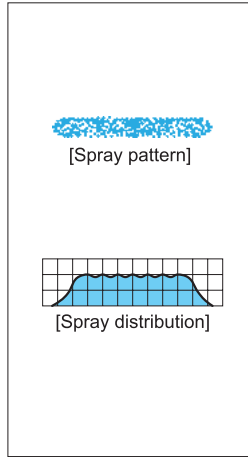


# High Pressure Cleaning Even Flat Spray Nozzles

VNP

Flat Spray



### [Features]

- Flat spray pattern with uniform distribution throughout pattern area.
- Small R1/4 and R1/8 pipe connection sizes for high pressure cleaning.

### [Standard Pressure]

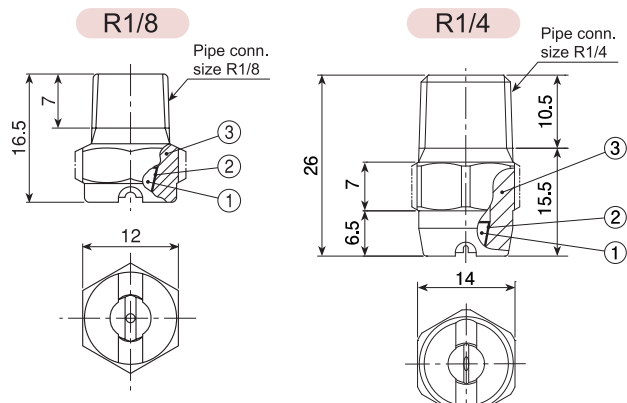
3 MPa

### [Applications]

High pressure cleaning:  
Automotives, containers, tanks, wire and felt parts of paper making machines, wire cylinders, filter presses, other industrial cleaning and degreasing

## VNP series

VNP series (with ceramic orifice inserted)	
Structure	• Ceramic orifice is inserted and adhered into a metal body.
Material	• Nozzle orifice: ceramic • Metal parts: S303 or B (brass) • Optional material: S316
Mass	• R1/8...S303: 7 g, B (brass): 7.4 g • R1/4...S303: 20 g, B (brass): 22 g



[Note] Appearance and dimensions may differ slightly depending on materials and nozzle codes.

①Ceramic orifice ②Adhesive: Araldite® ③Nozzle body

Spray angle code	Spray capacity code	Pipe conn. size		Spray angle (°)			Spray capacity (ℓ/min)											Free pass. dia. (mm)	
		R1/8	R1/4	1 MPa	3 MPa	5 MPa	1 MPa	2 MPa	2.5 MPa	3 MPa	3.5 MPa	4 MPa	4.5 MPa	5 MPa	6.5 MPa	8 MPa	10 MPa		15 MPa
65	43	○	○	60	65	65	2.50	3.54	3.96	4.33	4.68	5.00	5.30	5.59	6.37	7.06	7.91	9.67	0.7
	49	○	○	60	65	65	2.86	4.04	4.52	4.94	5.34	5.71	6.06	6.38	7.28	8.07	9.04	11.1	0.8
	56	○	○	60	65	65	3.22	4.54	5.08	5.56	6.01	6.42	6.81	7.18	8.19	9.08	10.2	12.4	0.9
	62	○	○	60	65	65	3.57	5.05	5.65	6.18	6.68	7.14	7.57	7.98	9.10	10.1	11.3	13.8	0.9
	68	○	○	60	65	65	3.93	5.55	6.21	6.80	7.35	7.85	8.33	8.79	10.0	11.1	12.4	15.2	1.0
	74	○	○	60	65	65	4.29	6.06	6.78	7.42	8.01	8.56	9.09	9.58	10.9	12.1	13.6	16.6	1.0
	80	○	○	60	65	65	4.65	6.56	7.35	8.04	8.68	9.28	9.85	10.4	11.8	13.1	14.7	18.0	1.0
	87	○	○	60	65	65	5.00	7.07	7.91	8.66	9.35	10.0	10.6	11.2	12.8	14.1	15.8	19.4	1.1
	99	○	○	60	65	65	5.72	8.08	9.04	9.89	10.7	11.4	12.1	12.8	14.6	16.2	18.1	22.1	1.1
124	○	○	60	65	65	7.15	10.1	11.3	12.4	13.4	14.3	15.2	16.0	18.2	20.2	22.6	27.7	1.3	
40	25	○	○	35	40	40	1.43	2.02	2.25	2.47	2.67	2.85	3.03	3.19	3.64	4.03	4.51	5.52	0.6
	31	○	○	35	40	40	1.78	2.52	2.82	3.09	3.34	3.57	3.78	3.99	4.55	5.05	5.64	6.91	0.7
	37	○	○	35	40	40	2.14	3.03	3.39	3.71	4.01	4.28	4.54	4.79	5.46	6.06	6.77	8.30	0.7
	43	○	○	35	40	40	2.50	3.54	3.96	4.33	4.68	5.00	5.30	5.59	6.37	7.06	7.91	9.67	0.8
	49	○	○	35	40	40	2.86	4.04	4.52	4.94	5.34	5.71	6.06	6.38	7.28	8.07	9.04	11.1	1.0
	56	○	○	35	40	40	3.22	4.54	5.08	5.56	6.01	6.42	6.81	7.18	8.19	9.08	10.2	12.4	1.0
	62	○	○	35	40	40	3.57	5.05	5.65	6.18	6.68	7.14	7.57	7.98	9.10	10.1	11.3	13.8	1.1
	68	○	○	35	40	40	3.93	5.55	6.21	6.80	7.35	7.85	8.33	8.79	10.0	11.1	12.4	15.2	1.1
	74	○	○	35	40	40	4.29	6.06	6.78	7.42	8.01	8.56	9.09	9.58	10.9	12.1	13.6	16.6	1.1
	80	○	○	35	40	40	4.65	6.56	7.35	8.04	8.68	9.28	9.85	10.4	11.8	13.1	14.7	18.0	1.2
	87	○	○	35	40	40	5.00	7.07	7.91	8.66	9.35	10.0	10.6	11.2	12.8	14.1	15.8	19.4	1.2
	99	○	○	35	40	40	5.72	8.08	9.04	9.89	10.7	11.4	12.1	12.8	14.6	16.2	18.1	22.1	1.4
124	○	○	35	40	40	7.15	10.1	11.3	12.4	13.4	14.3	15.2	16.0	18.2	20.2	22.6	27.7	1.5	
30	25	○	○	26	30	30	1.43	2.02	2.25	2.47	2.67	2.85	3.03	3.19	3.64	4.03	4.51	5.52	0.6
	31	○	○	26	30	30	1.78	2.52	2.82	3.09	3.34	3.57	3.78	3.99	4.55	5.05	5.64	6.91	0.7
	37	○	○	26	30	30	2.14	3.03	3.39	3.71	4.01	4.28	4.54	4.79	5.46	6.06	6.77	8.30	0.8
	43	○	○	26	30	30	2.50	3.54	3.96	4.33	4.68	5.00	5.30	5.59	6.37	7.06	7.91	9.67	0.9
	49	○	○	26	30	30	2.86	4.04	4.52	4.94	5.34	5.71	6.06	6.38	7.28	8.07	9.04	11.1	1.0
	56	○	○	26	30	30	3.22	4.54	5.08	5.56	6.01	6.42	6.81	7.18	8.19	9.08	10.2	12.4	1.1
	62	○	○	26	30	30	3.57	5.05	5.65	6.18	6.68	7.14	7.57	7.98	9.10	10.1	11.3	13.8	1.1
	68	○	○	26	30	30	3.93	5.55	6.21	6.80	7.35	7.85	8.33	8.79	10.0	11.1	12.4	15.2	1.1
	74	○	○	26	30	30	4.29	6.06	6.78	7.42	8.01	8.56	9.09	9.58	10.9	12.1	13.6	16.6	1.2
	80	○	○	26	30	30	4.65	6.56	7.35	8.04	8.68	9.28	9.85	10.4	11.8	13.1	14.7	18.0	1.3
	87	○	○	26	30	30	5.00	7.07	7.91	8.66	9.35	10.0	10.6	11.2	12.8	14.1	15.8	19.4	1.3
	99	○	○	26	30	30	5.72	8.08	9.04	9.89	10.7	11.4	12.1	12.8	14.6	16.2	18.1	22.1	1.5
	124	○	○	26	30	30	7.15	10.1	11.3	12.4	13.4	14.3	15.2	16.0	18.2	20.2	22.6	27.7	1.7

Spray angle code	Spray capacity code	Pipe conn. size		Spray angle (°)			Spray capacity (ℓ/min)												Free pass. dia. (mm)
		R1/8	R1/4	1 MPa	3 MPa	5 MPa	1 MPa	2 MPa	2.5 MPa	3 MPa	3.5 MPa	4 MPa	4.5 MPa	5 MPa	6.5 MPa	8 MPa	10 MPa	15 MPa	
25	25	○	○	22	25	25	1.43	2.02	2.25	2.47	2.67	2.85	3.03	3.19	3.64	4.03	4.51	5.52	0.7
	31	○	○	22	25	25	1.78	2.52	2.82	3.09	3.34	3.57	3.78	3.99	4.55	5.05	5.64	6.91	0.7
	37	○	○	22	25	25	2.14	3.03	3.39	3.71	4.01	4.28	4.54	4.79	5.46	6.06	6.77	8.30	0.8
	43	○	○	22	25	25	2.50	3.54	3.96	4.33	4.68	5.00	5.30	5.59	6.37	7.06	7.91	9.67	0.9
	49	○	○	22	25	25	2.86	4.04	4.52	4.94	5.34	5.71	6.06	6.38	7.28	8.07	9.04	11.1	1.0
	56	○	○	22	25	25	3.22	4.54	5.08	5.56	6.01	6.42	6.81	7.18	8.19	9.08	10.2	12.4	1.1
	62	○	○	22	25	25	3.57	5.05	5.65	6.18	6.68	7.14	7.57	7.98	9.10	10.1	11.3	13.8	1.1
	68	○	○	22	25	25	3.93	5.55	6.21	6.80	7.35	7.85	8.33	8.79	10.0	11.1	12.4	15.2	1.2
	74	○	○	22	25	25	4.29	6.06	6.78	7.42	8.01	8.56	9.09	9.58	10.9	12.1	13.6	16.6	1.3
	80	○	○	22	25	25	4.65	6.56	7.35	8.04	8.68	9.28	9.85	10.4	11.8	13.1	14.7	18.0	1.3
	87	○	○	22	25	25	5.00	7.07	7.91	8.66	9.35	10.0	10.6	11.2	12.8	14.1	15.8	19.4	1.4
	99	○	○	22	25	25	5.72	8.08	9.04	9.89	10.7	11.4	12.1	12.8	14.6	16.2	18.1	22.1	1.5
	124	○	○	22	25	25	7.15	10.1	11.3	12.4	13.4	14.3	15.2	16.0	18.2	20.2	22.6	27.7	1.7
	15	25	○	○	12	15	15	1.43	2.02	2.25	2.47	2.67	2.85	3.03	3.19	3.64	4.03	4.51	5.52
31		○	○	12	15	15	1.78	2.52	2.82	3.09	3.34	3.57	3.78	3.99	4.55	5.05	5.64	6.91	0.8
37		○	○	12	15	15	2.14	3.03	3.39	3.71	4.01	4.28	4.54	4.79	5.46	6.06	6.77	8.30	0.9
43		○	○	12	15	15	2.50	3.54	3.96	4.33	4.68	5.00	5.30	5.59	6.37	7.06	7.91	9.67	1.0
49		○	○	12	15	15	2.86	4.04	4.52	4.94	5.34	5.71	6.06	6.38	7.28	8.07	9.04	11.1	1.1
56		○	○	12	15	15	3.22	4.54	5.08	5.56	6.01	6.42	6.81	7.18	8.19	9.08	10.2	12.4	1.1
62		○	○	12	15	15	3.57	5.05	5.65	6.18	6.68	7.14	7.57	7.98	9.10	10.1	11.3	13.8	1.2
68		○	○	12	15	15	3.93	5.55	6.21	6.80	7.35	7.85	8.33	8.79	10.0	11.1	12.4	15.2	1.3
74		○	○	12	15	15	4.29	6.06	6.78	7.42	8.01	8.56	9.09	9.58	10.9	12.1	13.6	16.6	1.3
80		○	○	12	15	15	4.65	6.56	7.35	8.04	8.68	9.28	9.85	10.4	11.8	13.1	14.7	18.0	1.4
87		○	○	12	15	15	5.00	7.07	7.91	8.66	9.35	10.0	10.6	11.2	12.8	14.1	15.8	19.4	1.5
93		○	○	12	15	15	5.36	7.58	8.48	9.28	10.0	10.7	11.4	12.0	13.7	15.2	17.0	20.8	1.5
99		○	○	12	15	15	5.72	8.08	9.04	9.89	10.7	11.4	12.1	12.8	14.6	16.2	18.1	22.1	1.6
111		○	○	12	15	15	6.43	9.09	10.2	11.1	12.0	12.9	13.6	14.4	16.4	18.2	20.3	24.9	1.6
124	○	○	12	15	15	7.15	10.1	11.3	12.4	13.4	14.3	15.2	16.0	18.2	20.2	22.6	27.7	1.7	

How to order

Please inquire or order for a specific nozzle using this coding system.

〈Example〉 1/8M VNP 6543 S303

1/8M VNP 65 43 S303

Pipe conn. size <sup>1</sup>	Spray angle code <sup>2</sup>	Spray capacity code	Material
■ 1/8M	■ 65	■ 25	■ S303
■ 1/4x1/8M	∩	∩	■ B
	■ 15	■ 124	

\*1) "M" indicates male thread ("R" of the ISO standard) and "F" indicates female thread ("Rc" of the ISO standard), e.g. 1/8M = R1/8. Size R1/4 is indicated as "1/4x1/8M" in VNP series.

\*2) Color of ceramic orifice differs depending on nozzle codes.

When spray angle code is 25 or 15 and spray capacity code is in the range of 43–124, "Brown tip" or "Brown" is indicated after material code.

〈Example〉 1/8MVNP2543S303 (Brown)