



RE40



RE40V



RE40Q

INCREMENTAL ROTARY ENCODERS Series RE40

- *Incremental rotary encoders with or without zero pulse*
- *Pulses per revolution: 2 to 12500*
- *Several configurations available*
- *Metal housing*
- *IP65 protection degree*

MECHANICAL versions				
RE40/RE41	RE40Q/RE41Q	RE40V/RE41V	RE40M/RE41M	RE40S/RE41S
Body Ø: 40 mm	Body Ø: 40 mm	Body Ø: 40 mm	Body Ø: 40 mm	Body Ø: 40 mm
Round flange	Square flange, mm	Round flange,	Hollow shaft flange	Hollow shaft flange
Shaft Ø: 6 or 4 mm	43x43	M18x1 screw fixing	Hole Ø 6 or 8 mm	Hole Ø 6 or 8 mm
	Shaft Ø: 6 or 4 mm	Shaft Ø: 6 or 4 mm	Antirotational fixing	Fixing by elastic support
Aluminium housing				
Connections outlet:: cable gland in radial position – cable 1 m long				

MECHANICAL & ENVIRONMENTAL SPECIFICATIONS	
RE40/RE40V/RE40Q	RE40M/RE40S
• Materials: case	Aluminium
shaft	AISI 303 steel
• Weight	100 g ca
• Shaft/Hollow shaft diameter	4 or 6 mm Hollow shaft 6 or 8 mm
• Revolutions/minute	6000
• Starting torque	≤0.2 Ncm
• Inertia	≤5 g cm ²
• Max load	10N axial / 20N radial
• Vibration resistance (10÷2000 Hz)	10 G
• Shock resistance (11 ms)	30 G
• Protection degree	IP65
• Operating temperature	-10 ÷ 70°C
• Stocking temperature	-20 ÷ 80°C

ELECTRICAL & OPERATING SPECIFICATIONS	
• Pulse code	Incremental
• Pulses/revolution	2 ÷ 12500
• Zero pulse	One pulse/revolution
• Output signals	Two square waves 90° ±15° out of phase – Zero pulse width: 90°±15°
• Electronic output	push-pull, 5Vdc or 8/24Vdc line driver signals protected against short circuits
• Supply voltage	5Vdc or 8/24Vdc - protection against polarity reversal
• Absorption	40 mA max
• Max. frequency	100/150 KHz
• Connections	Radial cable gland – cable 1 m long





RE40M



RE40S



RE40

CONNECTIONS

Push/Pull SIGNALS

Out 1
Out 2
Out Z (RE41)
+ Vdc
0V
Earth

Cable Colours

White
Green
Yellow
Red
Blue
Shield

Line Driver Output SIGNALS

Out 1
Out 2
Out Z (RE41)
+ Vdc
0V
Out 1
Out 2
Out Z (RE41)
Earth

Cable Colours

White
Green
Grey
Red
Blue
Brown
Yellow
Pink
Shield

ORDERING INFORMATION

RE40

1000

824

R

6

PP

ELECTRONIC OUTPUT

PP Push-pull
LD Line-driver

SHAFT/HOLLOW SHAFT DIAMETER

6 mm shaft/hollow shaft
4 mm shaft
8 mm hollow shaft

CONNECTIONS POSITION

R Radial

SUPPLY VOLTAGE

8/24 Vdc
5 Vdc

TYPE

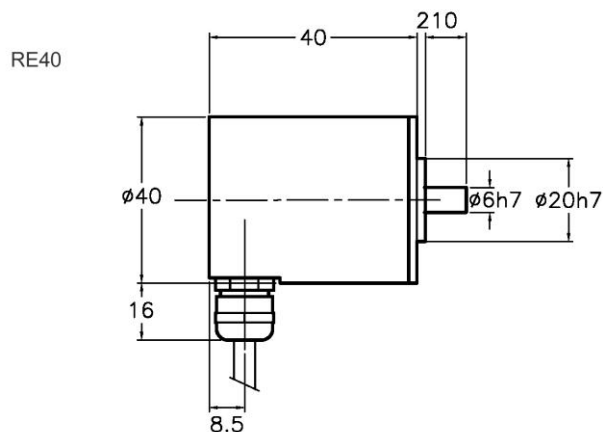
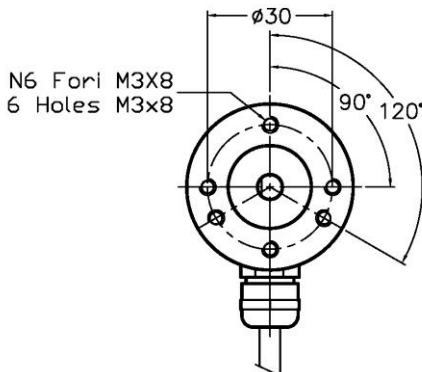
RE40/RE41
RE40V/RE41V
RE40Q/RE41Q
RE40M/RE41M
RE40S/RE41S

PPR NO.

2 ÷ 12500

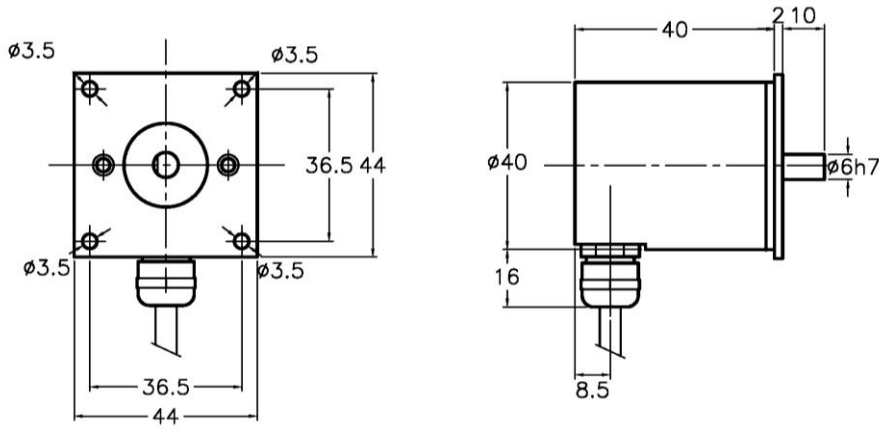
ELAP reserves the right to update the product without notice

DIMENSIONS

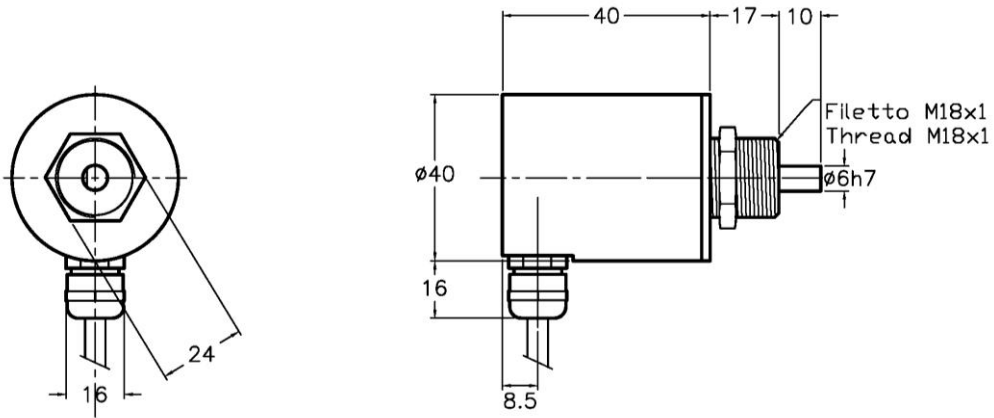


Rif. M2109

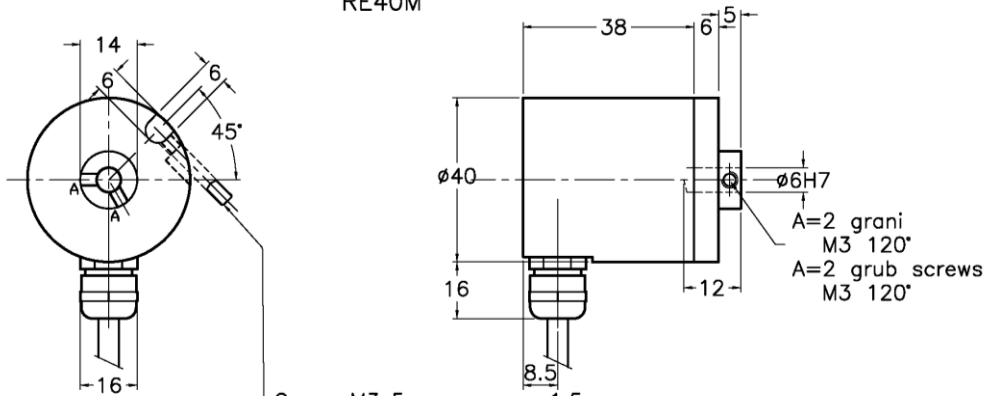
RE40Q



RE40V

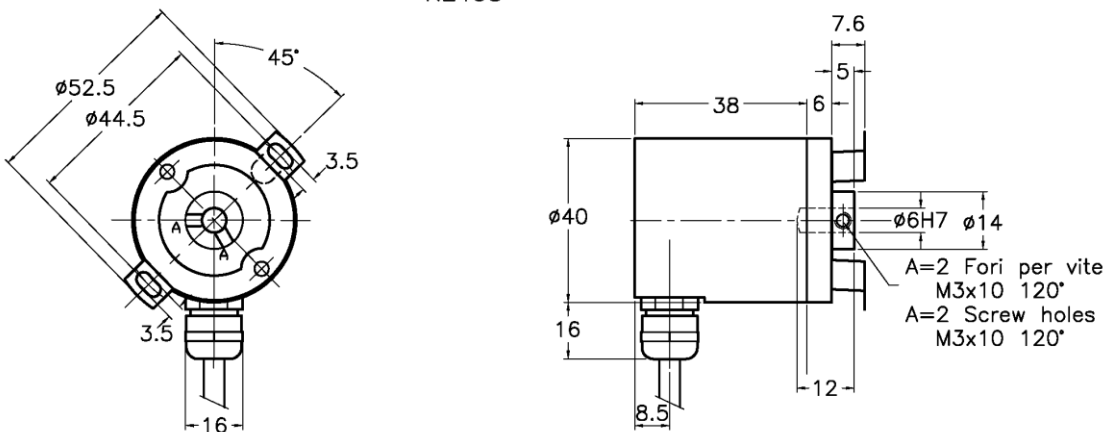


RE40M



Grano M3x5 a esagono 1.5
1.5 hexagonal grub screw M3x5

RE40S



RE40 • RE41

INCREMENTAL ROTARY ENCODERS



REFERENCES

Further info available at:

<https://www.elap.it/incremental-encoders/encoder-re40/>



ELAP VIA VITTORIO VENETO, 4 • I-20094 CORSICO (MI) • TEL. +39.02.4519561
FAX +39.02.45103406 • E-MAIL INFO@ELAP.IT • SITE WWW.ELAP.IT