

## TECHNICAL INFORMATION

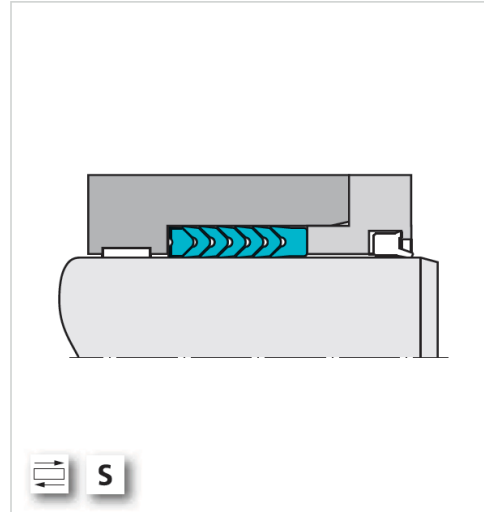
# Hydraulic Rod Seals | Polypac® VEEPAC






### VEEPAC

VEEPAC is an assembly of fabric-reinforced, highly wear resistant, chevron sealing rings with a support ring and a pressure energizing ring. VEEPAC seals are designed with preloaded radial lips to provide good sealing results. They are very robust, insensitive to sealing surface finish and dimensionally adjustable. They are especially suited to applications where there is a risk of damage and contamination.

Ø Range	Pressure Range	Temperature Range	Velocity
10 - 700 mm	40 MPa	-30 °C +200 °C	0.5 m/s
0.394 in - 28 in	5,800 psi	-20 °F +390 °F	1.6 ft/s



**KEY TO APPLICATIONS:** Reciprocating =  Rotary =  Oscillating =  Helix =  Static =  Single-acting = **S** Double-acting = **D**

### Important Note

Installation suggestions, material recommendations, parameters and further data provided are always subject to the particular field of use and the application in which the seal is intended to be used, in particular the interaction of the seal with other components of the application. Therefore they neither constitute an agreement on the legal and factual nature nor a guarantee of quality. Technical changes and errors remain reserved.