

# 4-WHEELED BINS MGB 1100L FLAT LID

CLASSIC (FL C) IN ACCORDANCE WITH EN 840



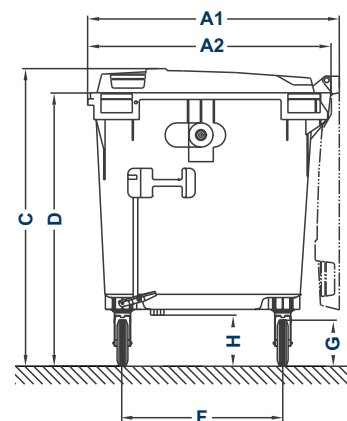
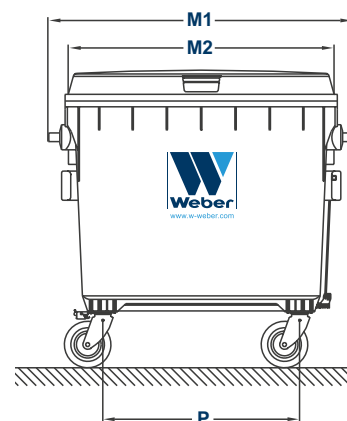
**VERY ROBUST PERFORMANCE**  
SEPARATE HINGE FIXINGS

- // INCREASED WALL THICKNESS
- // HINGE FIXINGS
- // INTEGRATED CHIP-NEST



## WEBER MGB 660L / 770L / 1100L / 1100L C FLAT LID (FL) IN ACCORDANCE WITH EN 840

- Weber MGB manufactured from HDPE using the compact injection moulding method in accordance with EN 840
- bins can be easily repaired
- chip-nest for secure transponder placement
- galvanised metal parts (corrosion resistant)
- resistant to UV, cold, heat and chemicals
- optionally with lifting trunnions
- standard colours grey, green, blue and brown – other colours available on request



WEBER 4-WHEELED MGB FLAT LID (FL)	660L	770L	1100L FL	1100L FL C
Nominal volume (l)	660	770	1100	1100
Nominal payload (kg)	270	310	440	440
Empty weight ca. (kg)	37,6	41,0	47,4	52,6
<b>A1</b> Total depth, lid open (mm)	778	791	1085	1113
<b>A2</b> Body, total depth (mm)	772	779	1065	1085
<b>C</b> Total height (mm)	1230	1316	1330	1309
<b>D</b> Body, height (mm)	1145	1235	1205	1212
<b>P/F</b> Travelling gear, width (mm)	845/480	840/485	855/755	855/745
<b>G</b> Wheel Ø (mm)	160/200	160/200	200	200
<b>H</b> Ground clearance (mm)	190	190	200	225
<b>M1</b> Width with lifting trunnions (mm)	1371	1371	1375	1371
<b>M2</b> Lid, width (mm)	1134	1134	1180	1168

Customer field 370 x 49 mm for all 4-wheeled bins (customer name or blank)



We reserve the right to make dimensional and constructional alterations