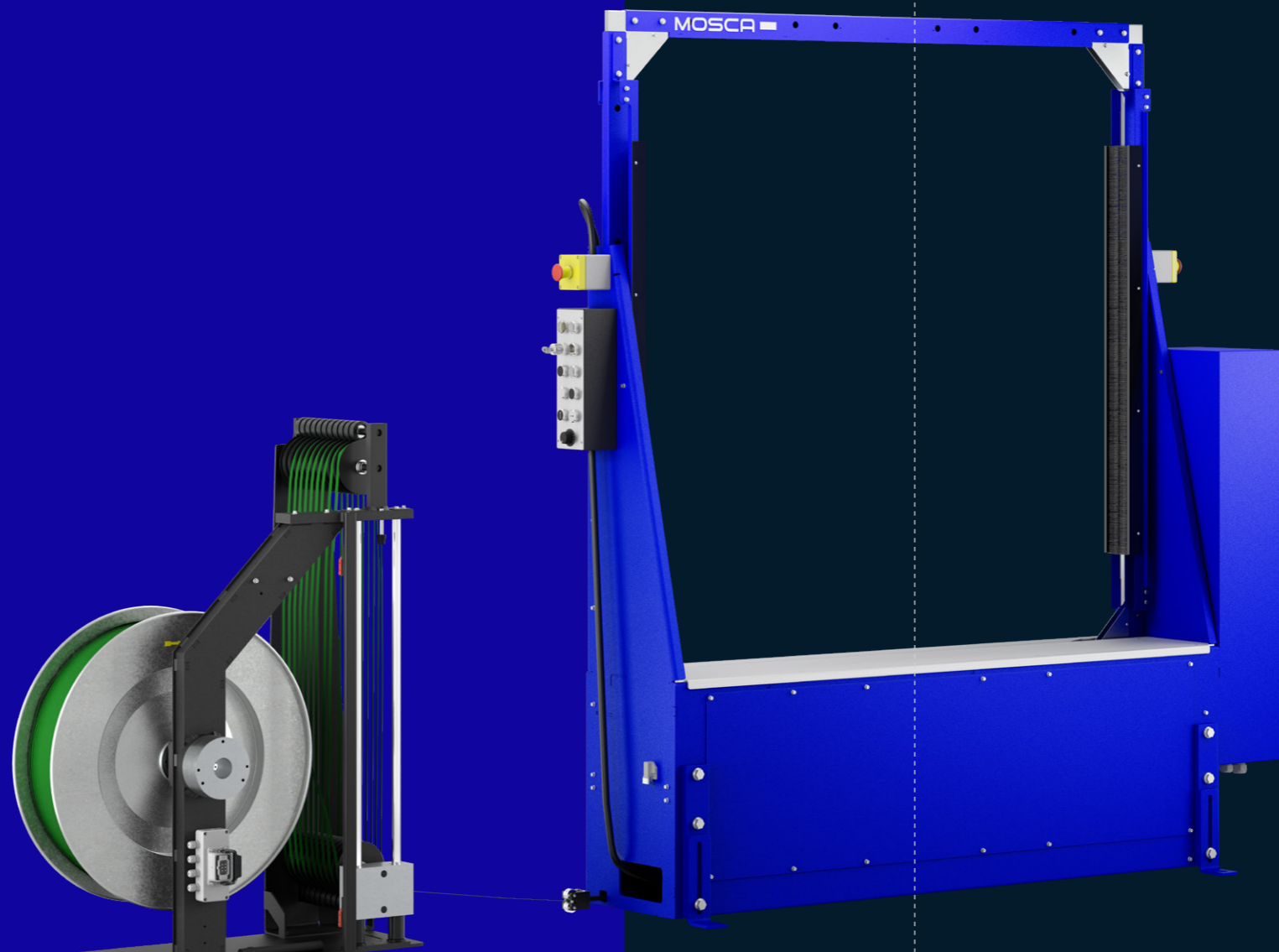


KOF- 611

REVOLUTIONIZE YOUR
END-OF-LINE [PACKAGING]
PERFORMANCE

MOSCA

NONSTOP RESPONSIBLE
NONSTOP RELIABLE
NONSTOP INTELLIGENT
NONSTOP PROGRESSIVE



Automatic
Strapping Machine



Construction & Container



SoniXs Sealing Unit | Bottom mounted



Energy-efficient electrical drives



For PP and PET straps



Manual scantling device (option)



NONSTOP PERFORMANCE

KOF-611

AUTOMATIC STRAPPING MACHINE FOR THE TIMBER INDUSTRY

The automatic strapping machine KOF-611 straps products vertically on the table and is particularly suitable for bundling heavy and bulky goods such as wooden slats. It can be integrated into both semi-automatic and fully automatic processes and connected to upstream and downstream systems via potential-free contacts.

The KOF-611 is equipped with the proven SoniXs ultrasonic sealing unit reaching a strap tension of up to 2,500 Newton. For a higher strap tension, the machine includes the option to use the high-performance HL sealing unit, which allows the strap tension to be infinitely adjusted up to 5,000 Newton.

The sealing unit is located below the product to be strapped. Optionally, the KOF-611 can be upgraded by a manual scantlings dispenser to be used as stacking or transporting aid for non-palletised goods.

TECHNICAL DATA

Performance:
Approx. 12 seconds per strapping cycle at a frame size of 1,200 x 1,300 mm

Frame Sizes: (W x H)
1,200 x 800 mm
1,200 x 1,300 mm
1,700 x 1,300 mm

Working Height:
545 - 800 mm (in 60 mm steps)
(others on request)

Straps:
Standard machine grade PP or PET straps*
PP straps: Width: 12 mm
 Thickness: 0.8 mm
PET straps: Width: 9.5 - 12.5 mm
 Thickness: 0.54 - 0.66 mm
*Deviations possible with KSR-2 and HL sealing unit

Strap Tension:
200 - 2,500 N infinitely adjustable
*Deviations possible with KSR-2 and HL sealing unit

Strap Coil Dispenser:
Core diameter: 406 mm

Electricity:
Voltage: 400 V, 50 Hz, 3L+N+PE
(others on request)
Power consumption: approx. 2 kW

Weight: (without options)
approx. 400 kg

STANDARD FEATURES

SoniXs Ultrasonic sealing unit

Strap dispenser

Potential-free contacts to upstream and downstream machines

Complete electric control for automatic and semiautomatic operation in the operator panel

Siemens PLC control with operator button

OPTIONS

Three-part signal light including low strap detection

HL sealing unit with floating head (up to 5,000 N strap tension)

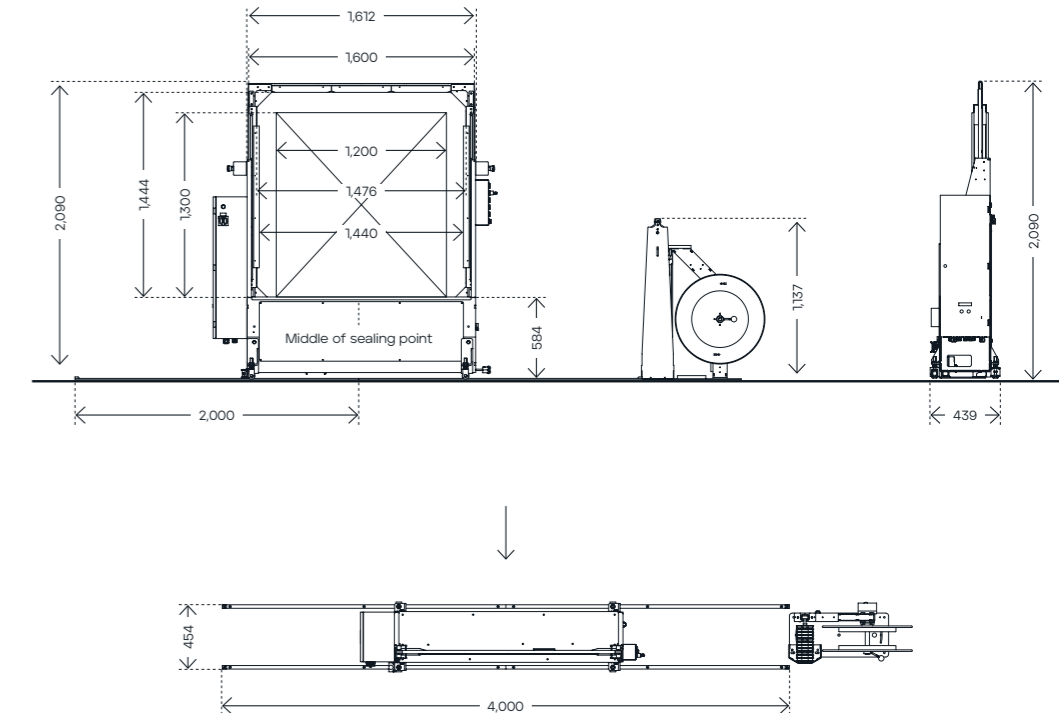
Cable marking

Chassis with flanged rollers

Chassis for conveying height > 800 mm

Manual scantling device (80 x 80 - 100 x 100 mm)
1 format set

DIMENSIONS / WORKING WIDTH MACHINE (in mm; Picture includes options)



CONTACT US FOR A PERFORMANCE
CONSULTATION!

mosca.com

Mosca GmbH
Gerd-Mosca-Straße 1 · 69429 Waldbrunn

info@mosca.com · +49 6274 / 932-0