



**FLOTTWEG SYSTEMS IN CONTAINERS
AND ON PLATFORMS**
Engineered For Your Success



FLOTTWEG SYSTEMS IN CONTAINERS AND ON PLATFORMS

Flottweg Separation Technology

Mechanical separation technology presents us and our customers with major challenges time and time again. Each process is individual and the influencing factors vary widely. As a result, an "off the peg" solution is usually impossible. So demands for turn-key systems on platforms or in containers are continuously increasing.

An important point is the perfect coordination of machine, control system, and process. Integrating centrifuges, components, switch cabinets, cables, and pipes into a system on a platform or in a container results in high demands on safety, logistics, and functionality. Optimal planning and coordination of all parameters is essential.

We respect customer demands and legal regulations in every aspect without neglecting our high standards of quality. We consider ourselves your partner. Together, we find the best possible way to achieve the ideal process under the specified conditions. We work out the processes together with you as our customers and place emphasis on the details, thus achieving the optimum result.

High quality, efficiency and sustainability – Flottweg Systems and Production Lines on plat- forms and in containers

- Protected against dirt, snow, and rain
- Quick, safe, and reliable all over the world
- Designed and dimensioned by our experts
- Efficient implementation of process-technological systems
- Advice on separation technology including specifications on process equipment
- Customized automation and process integration
- Remote control for safe monitoring of your process



FLOTTWEG SYSTEMS AND PRODUCTION LINES

Engineered For Your Success

Flottweg offers systems for sale or rent in containers or on platforms for many applications and in various industrial sectors, such as

- Industrial or mineral oil
- Tank cleaning and oil sludge processing
- Drilling mud from horizontal and vertical drilling (oil drilling, tunneling)
- Processing of waste water
- Chemical/pharmaceutical/food
- Fats/oils/biocarburants
- Beverages

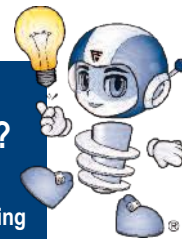
Whether we're delivering systems components or peripheral units, whether the equipment is completely pre-installed with internal cabling and piping or if it is a turn-key system – Flottweg meets all requirements with flying colors. This is also true for explosion-proof machines. Flottweg Machines impress with high quality, efficiency, and a long life-cycle.

It is possible to integrate disk stack centrifuges and decanter centrifuges of different sizes and capacities and with different parameters into systems on platforms or in containers. Separation efficiency is always the focus of our engineers and experts. That means Flottweg can fulfill any wishes to satisfy their customers.

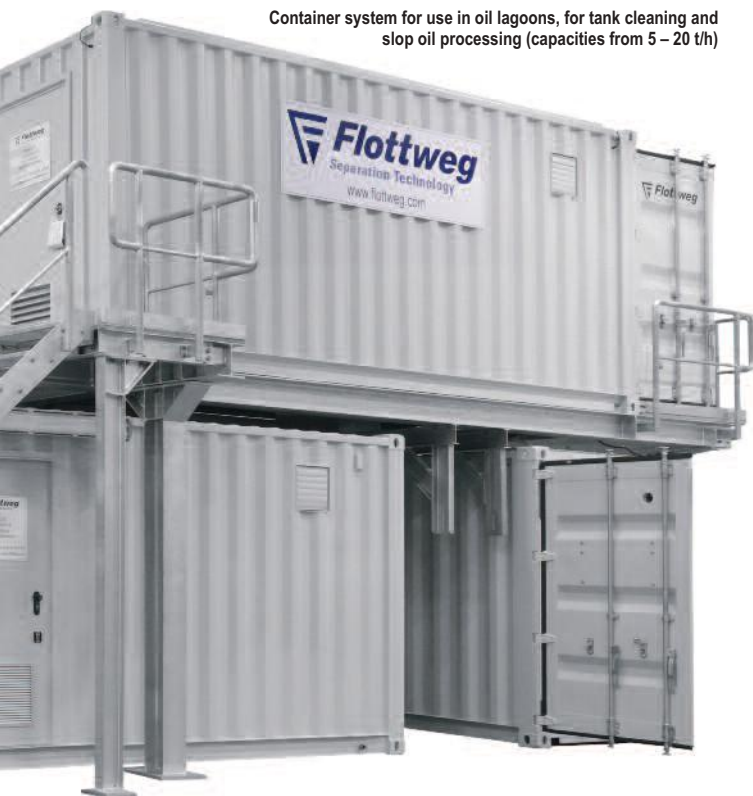
Flottweg convinces customers all over the world with competence and experience. Contact us today and ask your questions.

Why do we need containers and platforms?

- Easy and perfect integration in existing processes
- Smooth coordination and control
- Turn-key systems and production lines for an all-round carefree package
- Comfortable and integrated stairs (container)
- Easy access for safe and efficient maintenance
- Safe working conditions for the operating staff
- Containers with integrated sound insulation, air conditioning, heating etc. according to customer requirements
- Advice and assistance from planning to implementation by Flottweg Experts



Container system for use in oil lagoons, for tank cleaning and slop oil processing (capacities from 5 – 20 t/h)

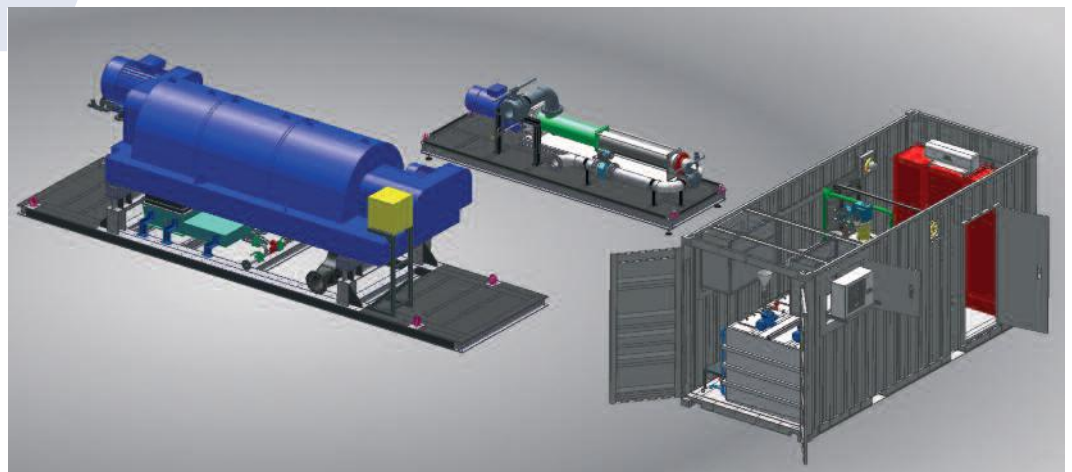
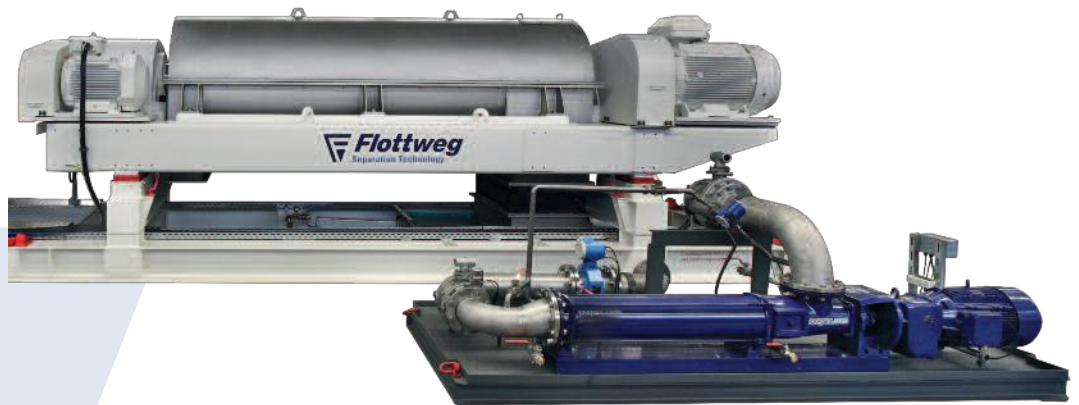


FLOTTWEG SYSTEMS IN CONTAINERS AND ON PLATFORMS

High Quality, Efficiency, and Long Life Cycle

FLOTTWEG CONTAINERS AND SYSTEMS WIN CUSTOMERS IN THE MINING INDUSTRY

- Machine: Z92
- Medium: waste water effluents, e.g. tailings
- Use in mines and gravel pits
- Capacity: up to 120 m³/h
- Centrifuge mounted on a platform
- Pump platform included
- Switch cabinet and polymer station in an air-conditioned container

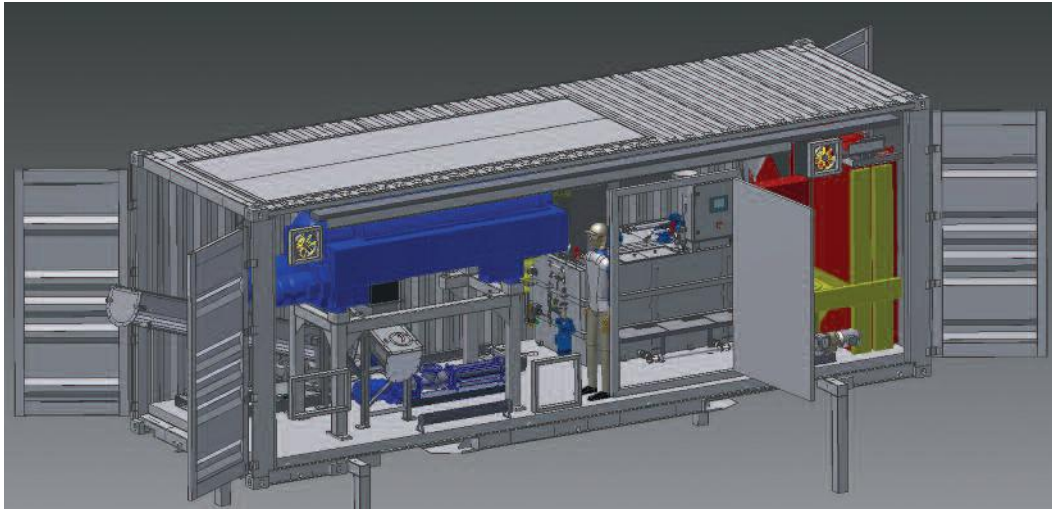


Flottweg Project Engineering



GATHER INFORMATION ON FLOTTWEG SYSTEMS IN CONTAINERS AND ON PLATFORMS

www.flottweg.com



A Flottweg Container System during development and ...

... how it finally looks at the customer's site



CONTAINER SYSTEMS FOR DRILLING

- Machine: Z4E
- Medium: drilling mud
- Can be used for all kinds of drilling
- Capacity: 5 m³/h – 120 m³/h
- Polymer station is included in the container
- Conveyer scroll



FLOTTWEG SYSTEMS IN CONTAINERS AND ON PLATFORMS

Delivery On-Time, in the Required Quality and with the Best Price Performance Ratio

PLATFORMS FOR THE OIL INDUSTRY

- Machine: Z23, gas-tight
- Medium: liquids that are easily inflammable, diesel, gas
- Use for cleaning of fuel, grease, chemicals, cleaning baths
- Capacity: 0.5 m³/h – 2.5 m³/h
- Solids pump



Platform for use in ATEX ZONE 1 or 2



PLATFORM INCLUDING A DISK STACK CENTRIFUGE

- Machine: AC 2000
- Medium: diesel, mineral oil and oily water
- Capacity: 15 m³/h



COMPLETE SYSTEMS IN CONTAINERS

- Machine: Z4E
- Medium: oil sludge
- Different components for tank cleaning, slop oil treatment and/or use in oil lagoons are all included in the container
- Capacity: 5 t/h – 20 t/h



Centrifuges purged with nitrogen, available for operation in ATEX Zone 1



FLOTTWEG SEPARATION TECHNOLOGY

High Quality, Efficiency, and Long-Life Cycle

CONTAINER SYSTEMS FOR THE PROCESSING OF DRILLING MUD

- Machines:
 - Z4E
 - Z5E
- Medium: drilling mud
- Use: all kinds of drilling
- Capacity: 5 m³/h – 20 m³/h
- Switch cabinet with user-friendly touch panel for areas at risk of explosion
- Discharge chutes
- Feed pumps
- Polymer station



Container system for the processing of drilling mud



FLOTTWEG SYSTEMS ON PLATFORMS

are used all over the world for different applications. Decanters and disk stack centrifuges are important components for long-term customer satisfaction. The total Flottweg Package is excellent.

For more detailed information on container systems and platforms visit our website: www.flottweg.com



Flottweg System on a platform for drilling mud

FLOTTWEG TRICANTER® PLATFORM FOR OIL SLUDGE TREATMENT

Flottweg Systems and Production Lines allow for highly efficient processes in the treatment of different media. We have been building decanters since 1956. As a world-known manufacturer of individual solutions for solid-liquid separation, we have been developing the decanter centrifuge over the years for different separation tasks.

Look and see: www.flottweg.com



Platform for sludge oil processing

FLOTTWEG PLATFORM INCLUDING A DISK STACK CENTRIFUGE OF THE AC-SERIES FOR DIFFERENT APPLICATIONS

Disk stack centrifuges are used when liquids have to be particularly clean. Moreover, the Flottweg Soft Shot® discharge system offers a lot of advantages.

Flottweg Disk Stack Centrifuges of the AC series (Automatic Cleaning) can be used in many applications and are available in different types.

Visit our website: www.flottweg.com



Disk Stack Centrifuge of the AC series for oil processing on a platform

Contact us today with your questions

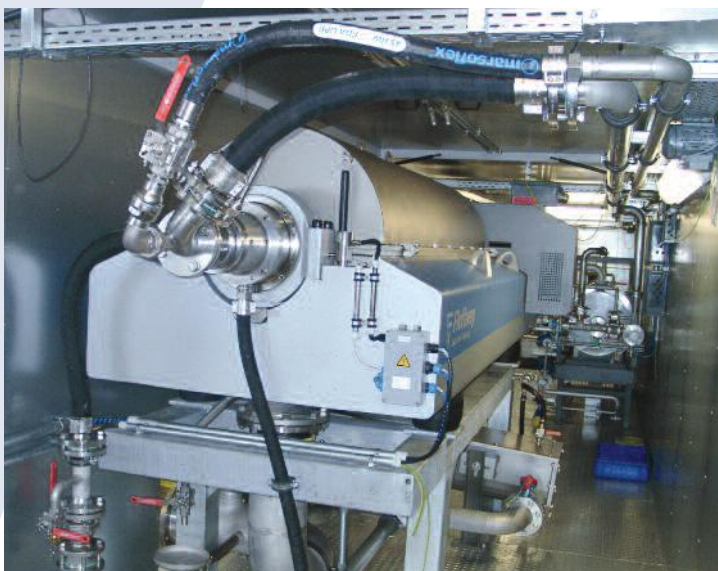
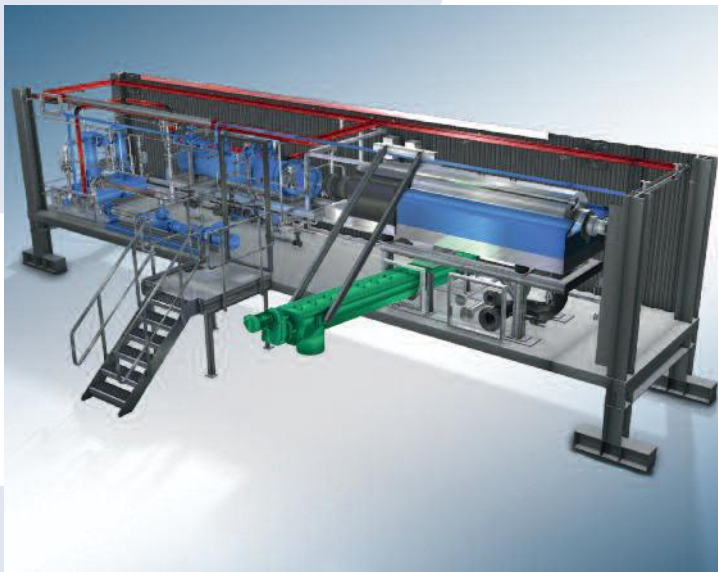
FROM PLANNING TO IMPLEMENTATION



Our passion to design, project and construct machines, thus our passion for technology, has been a part of us since Flottweg's beginning. Our planning departments are in direct contact with our sales groups. That guarantees short communication pathways to project management. These facts, in combination with our customized systems, offer clear added value. We consider your process in its entirety and design your complete system, since only a perfect coordination of all process steps enables highest efficiency. Our containers and systems are completed in our in-house systems engineering department. For you, this means absolute reliability and adherence to delivery dates.

Advantages of Flottweg Container Systems and Platforms

- Worldwide consultation
- Laboratory tests for perfect process adaptation
- In-house systems engineering department for reliable, on-time implementation
- Short pathways between sales experts and project engineers allow for quick implementation
- Tailor-made solutions (containers, platforms)



GLOBAL AFTERMARKET SUPPORT NETWORK

Wherever You Are in the World



CUSTOMER SERVICE IS OUR STRENGTH

Application-based project planning, high-quality manufacturing, and professional after-sales service are all essential for trouble-free operation. Experienced and reliable service engineers from our customer service department are ready to respond quickly if needed. The Flottweg Service Group is also available to perform preventive maintenance in order to avoid interruptions in production.

QUALITY "MADE IN GERMANY"

Flottweg is ISO 9001 certified and manufactures its products in compliance with all the latest technical standards.



Flottweg Services include

- Experienced advice on separation processes
- Pilot tests on-site or at the Flottweg laboratory and test center
- Selection and sizing of appropriate equipment
- Customer-specific automation/control systems and process integration
- Design and construction of complete process systems
- Installation, commissioning, maintenance, repair and spare parts, service worldwide

FLOTTWEG AFTER-SALES CUSTOMER SERVICE

Even the best machinery needs to be maintained and serviced. Flottweg has established a worldwide service network consisting of its own subsidiaries, branch offices, and representatives to provide our customers with localized service and spare parts.

Our service engineers and technicians are qualified for any kind of installation, commissioning, repair, and maintenance.



FLOTTWEG WORLDWIDE

Flottweg is headquartered in Vilsbiburg, Germany (near Munich), and has branch offices in Cologne and Leipzig as well as subsidiaries in Australia, Brazil, Canada, China, France, Italy, Mexico, Peru, Poland, Russia, and the United States, in addition to representatives in nearly

all countries worldwide. Check out our website at www.flottweg.com to find a competent contact person.



Flottweg Separation Technology – Engineered For Your Success



Flottweg SE
Industriestraße 6-8
84137 Vilsbiburg
Deutschland (Germany)

Tel.: +49 8741 301-0
Fax: +49 8741 301-300

mail@flottweg.com
www.flottweg.com

REPRESENTATIVE