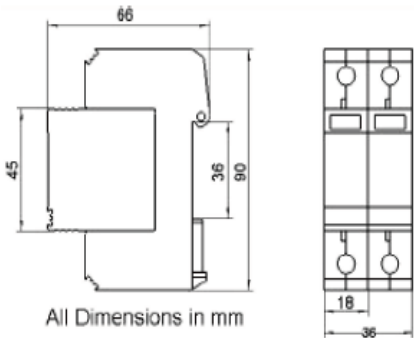
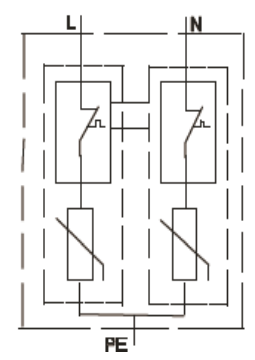


2P AC SPD SPECIFICATION SHEET

Model No.	Product Name	Data	Version
NSASPD-40	AC2P SPD	2011.10.25	A2

1. Basic Structure Drawing	2. Principle Drawing
 <p style="text-align: center;">All Dimensions in mm</p>	

3. Technical parameters		
Test class according to IEC61643-1:2005	II	
Type of Network	TT-TN-IT	
Nominal voltage	Un	230/400V, 50(60)Hz
Rated Voltage (Max. Cont. Operating Voltage)	Uc	385V
Maximum discharge current (8/20 μ s)	Imax	40kA
Nominal discharge current (8/20 μ s)	In	20kA
Voltage protective level at In	Up	$\leq 1.8kV$
Isolation resistance	Risol	$> 10^2 M\Omega$
Response time	Ta	$\leq 25ns$
Recommended back-up fuse	125A	
I/O Connections	By screw terminal: 10-35mm ² By connection bus	
Mounting	Symmetrical rail (EN50022/DIN46277-3)	
Operation temperature range	-40 $^{\circ}C$ ~ +85 $^{\circ}C$	
Degree of protection	IP20	
Housing material	UL94V0	
Disconnection indicator	Mechanical indicator	
Remote control contact	Without	
Color	Gray	