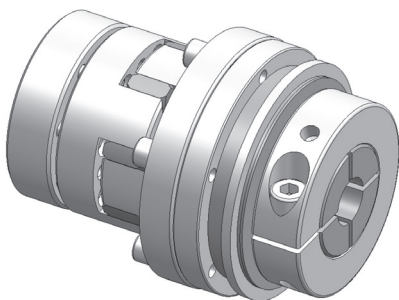


Safety coupling I Series SKB - ES for direct drives

- with elastomer attachment for direct drives
- with radial clamping hub - elastomer coupling with conical hub
- plug in, backlash free, flexible, robust, oscillation dampening

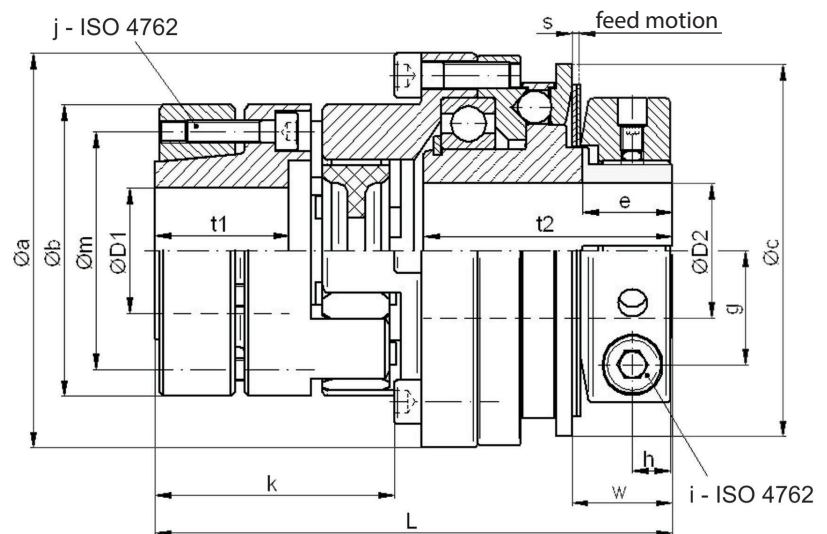
Technical data:

SKB -ES Size	static disengage- ment torque		moment of inertia [10 ⁻³ kgm ²]	mass approx. [kg]	Torsional stiffness [Nm/arcmin]	max. shaft displacement [mm]		tightening torque of screws		ø D1		øD2	
	T _{KA} [Nm]					axial ±	lateral	„j“ [Nm]	„i“ [Nm]	min	max	min	max
6	2	- 6	0,13	0,5	0,25	0,5	0,1	6x M4 [4]	M5 [10]	9	19	6	16
12	6	- 12								9	19	8	16
15	8	- 15	0,55	1,1	1,0	0,5	0,1	4x M5 [8]	M6 [18]	12	26	10	25,4
30	13	- 30								12	26	12	25,4
45	22	- 45								12	26	14	25,4
60	25	- 60	1,6	2,1	1,2	1	0,1	8x M5 [8]	M8 [40]	12	36	18	35
100	40	- 100								12	36	18	35
150	60	- 150								14	36	24	35
230	80	- 230	6	4,6	3,6	1	0,12	4x M8 [35]	M10 [80]	19	40	24	44
330	130	- 330								19	40	32	44
500	200	- 500	21	10,2	8	1	0,15	4x M12 [115]	M14 [220]	25	60	28	58
800	350	- 800								28	60	40	58
1000	500	- 1000	81	21	12	1	0,1	4x M12 [115]	M16 [290]	30	60	42	100
2000	800	- 2000								35	85	42	100



Material:

- safety part: heat treated steel
- hub: high tensile aluminum (size 2000: tempered steel)
- clamping ring: heat treated steel
- elastomer soider: polyurethan – 98 Shore-A
- screws: nickel plated
- temperature range: -30°C up to +90°C



Dimensions [mm]: length dimensions according to DIN ISO 2768 cH

SKB - ES	Øa	Øb	Øc	e	g	h	k	L±1	Øm	s	t1	t2	w
6/12	52,5	40	48	14	13,5	6	41	85	31	0,9	21	41	16
15/30/45	69	55	66	16	19,5	7,5	48	100,5	43	1,2	25	48	18,5
60/100/150	88	65	83	20	25,5	8,5	53,5	115,5	53	1,6	30	55,5	22
230/330	115	80	109	23	32	10,5	68	148	64	1,8	40	72	26
500/800	137	120	132	32	42	13,5	94	190,5	96	2,5	54	87,5	37
1000	181	120	185	74	69	17/30	95	227,6	96	3,7	54	89	74
2000	181	160	185	76	69	17/30	114	250	130	3,7	66	89	77

Note: elastomer spider with different shore hardnesses available on request
coupling side with radial clamping hub see series SKB-EK

Ordering example: SKB - ES 100 - D1 = Ø 19^{G7} - D2 = Ø 28^{H7} - T_{KA} = 55 Nm