

# 4-WHEELED BINS MGB 1100L FLAT LID

LID IN LID (FL LIL) IN ACCORDANCE WITH EN 840



**EASY FILLING**  
THROUGH LIGHTWEIGHT SMALLER LID

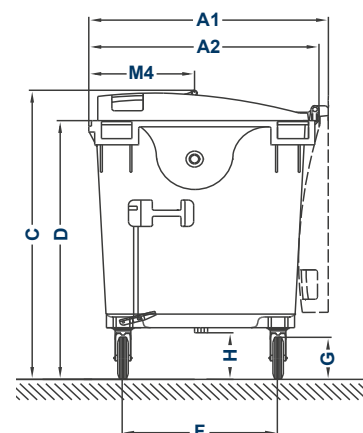
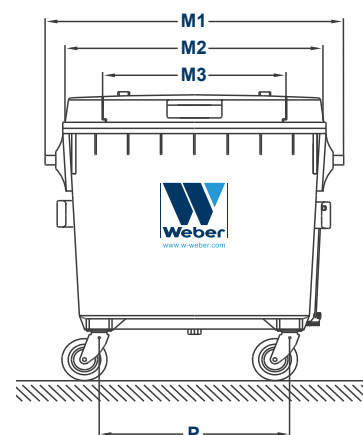
- // LID IN LID
- // EASY FILLING
- // WIDE APERTURE



## WEBER MGB 660L / 770L / 1100L

### FLAT LID, LID IN LID (FL LIL) IN ACCORDANCE WITH EN 840

- Weber MGB manufactured from HDPE using the compact injection moulding method in accordance with EN 840-2
- simple exchange of the main lid and smaller lid
- stepped rim, reinforced by additional ribbing
- chip-nest for secure transponder placement
- galvanised metal parts (corrosion resistant)
- resistant to UV, cold, heat and chemicals
- optionally with lifting trunnions
- standard colours grey, green, blue and brown – other colours available on request



| WEBER 4-WHEELED MGB FLAT LID (FL LIL)       | 660L FL LIL | 770L FL LIL | 1100L FL LIL |
|---|-------------|-------------|--------------|
| Nominal volume (l)                          | 660         | 770         | 1100         |
| Nominal payload (kg)                        | 270         | 310         | 440          |
| Empty weight ca. (kg)                       | 38,0        | 41,4        | 48,4         |
| <b>A1</b> Total depth, lid open (mm)        | 845         | 840         | 1085         |
| <b>A2</b> Body, total depth (mm)            | 772         | 779         | 1065         |
| <b>C</b> Total height (mm)                  | 1265        | 1345        | 1340         |
| <b>D</b> Body, height (mm)                  | 1145        | 1235        | 1205         |
| <b>P/F</b> Travelling gear, width (mm)      | 845/480     | 840/485     | 855/755      |
| <b>G</b> Wheel Ø (mm)                       | 160/200     | 160/200     | 200          |
| <b>H</b> Ground clearance (mm)              | 190         | 190         | 200          |
| <b>M1</b> Width with lifting trunnions (mm) | 1371        | 1371        | 1375         |
| <b>M2</b> Lid, width (mm)                   | 1134        | 1134        | 1180         |
| <b>M3</b> Lid in lid, width / aperture (mm) | 775/710     | 775/710     | 840/760      |
| <b>M4</b> Lid in lid, depth (mm)            | 375         | 375         | 430          |

Customer field 370 x 49 mm for all 4-wheeled bins  
(customer name or blank)

We reserve the right to make dimensional and constructional alterations.

