

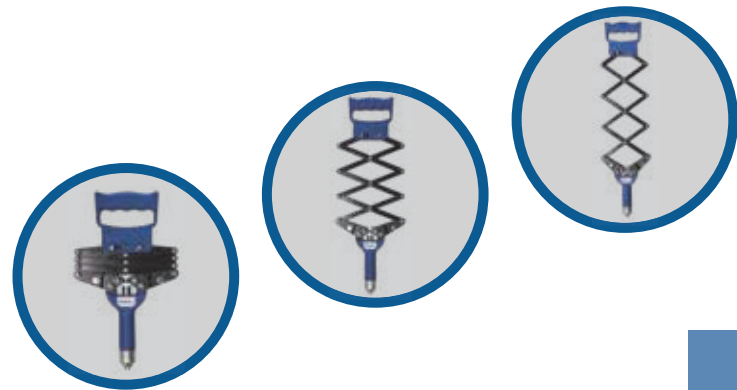
**Simple operation, very good power transmission.**

**BZ 58**

2.4	3.0	3.2	4.0	4.8	5.0	6.0	6.4	8.0
Aluminium								
Steel								
Stainless steel								
Copper alloys								

2.0 kg	Carton	3.8 mm
11 mm	incl. 5 nosepieces	Special mouthpieces See on request.

Item no. 31005800000

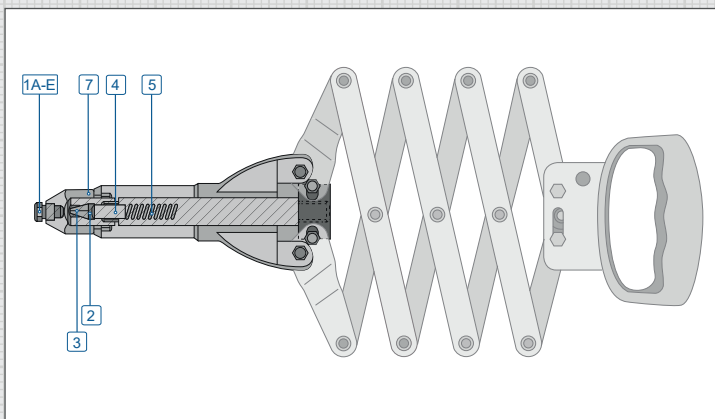


Replaceable nosepieces screwed into the tool.

Shear blind riveting tools are eminently suitable, for example, for quick, reliable and ergonomic setting of blind rivets in floors, even in large quantities.

BZ 58

**BZ 58 Spare Parts**



No.	Item no.	Spare part
1A	311100000123	BZ 58 nose piece 3,0/3,2 mm
1B	311100000124	BZ 58 nose piece 4,0 mm
1C	311100000125	BZ 58 nose piece 4,8/5,0 mm
1D	311500000126	BZ 58 nose piece 6,0 mm
1E	311500000127	BZ 58 nose piece 6,4 mm
2	311500000004	BZ 58 clamping sleeve
3	311500000005	BZ 58 clamping jaws
4	311500000006	BZ 58 guide sleeve
5	311500000007	BZ 58 pressure spring
7	311058002006	BZ 58 front sleeve

You can also use our interactive ProductViewer to quickly search for the correct spare part.

