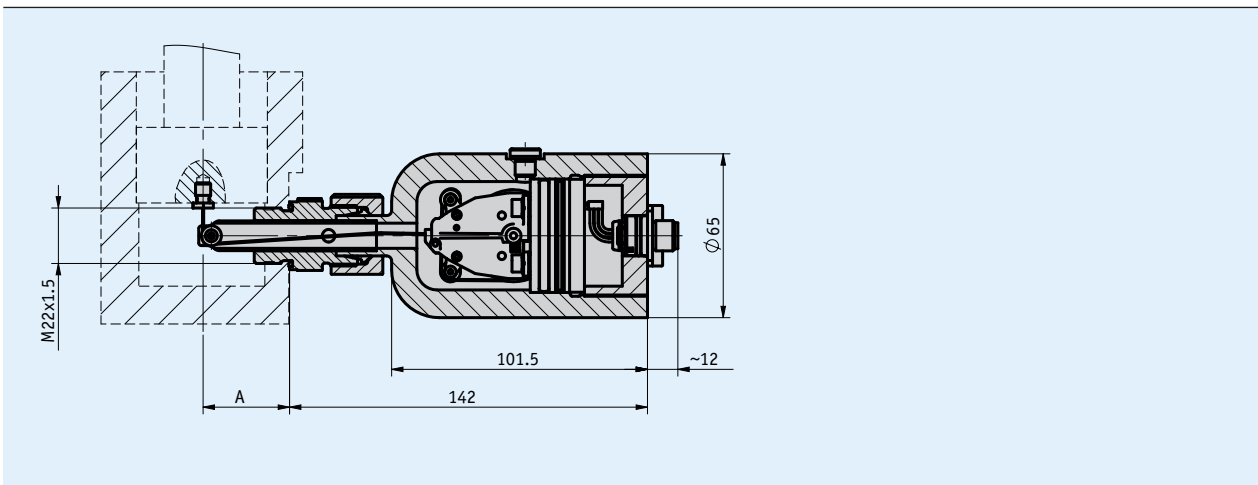


Profile

- Measuring range 0 ... 1000 mm (39.37 inches)
- almost no stroke lost thanks to lateral mounting
- Absolute measuring system
- CANopen interface, analog: Current and voltage
- Operating voltage 9 ... 32 VDC
- Pressure-resistant up to 350 bar, pressure peaks up to 450 bar
- High degree of flexibility, adjustable to all measuring lengths thanks to teach-in
- High electro-magnetic compatibility
- High shock and vibration resistance
- With PURE.MOBILE technology



Mechanical data

Feature	Technical data	Additional information
Flange	aluminum	sealing ring (HNBR)
Housing	stainless steel	
Wire design	ø0.45 mm	steel rope (stainless)
Extension force	≥2 N	
Acceleration	≤10 m/s ²	
Weight	~2 kg	

Electrical data

■ Analog interface

Feature	Technical data	Additional information
Operating voltage	9 ... 32 V DC	with output 0 ... 5 V, 0.5 ... 4.5 V, 0.25 ... 4.75 V, 1.0 ... 4.9 V, reverse polarity protected
	12 ... 32 V DC	with output 0 ... 10 V, reverse polarity protected
	12 ... 32 V DC	with output 0 ... 20 mA, 4 ... 20 mA, reverse polarity protected
Current consumption	<32 mA	without load
Power input	<0.5 W	without load
Digital inputs	2	limit inputs
Input signal level high	>8.4 V	
Input signal level low	<2.8 V	
Output voltage	0 ... 10 V	load current <10 mA
	0 ... 5 V	load current <10 mA
	0.5 ... 4.5 V	load current <10 mA
	0.25 ... 4.75 V	load current <10 mA
Output current	1 ... 4.9 V	load current <10 mA
	0 ... 20 mA	load ≤500 Ω
Linearity tolerance	4 ... 20 mA	load ≤500 Ω
	±0.25 %	1000 mm measurement length
	±0.5 %	500 mm measurement length
Cycle time	typical 1.5 ms	
Settling time	<150 ms	
Type of connection	1x M12 plug connector (A-coded)	5-pole, 1x pin

■ CANopen interface

Feature	Technical data	Additional information
Operating voltage	10 ... 30 V DC	reverse polarity protected
Power input	<0.8 W	
Linearity tolerance	±0.25 %	1000 mm measurement length
	±0.5 %	500 mm measurement length
Interface	according to ISO 11898-1/2, not isolated	CANopen, CiA 301, CiA 305, CiA 406
Address	adjustable	per SDO or Layer Setting Service (LSS)
Baud rate	≤1 MBit/s	
Cycle time	typical 1.5 ms	
Settling time	<150 ms	
Type of connection	1x M12 plug connector (A-coded)	5-pole, 1x pin

System data

Feature	Technical data	Additional information
Scanning	magnetic	
Resolution	12 Bit	analog output
Repeat accuracy	±0.15 mm	
Measuring range	500 mm	measuring range flexibly usable between 0...500 mm
	1000 mm	measuring range flexibly usable between 0...1000 mm
Travel speed	≤1 m/s	
Failure rate	235.6 year(s)	analog output, at 60° C (MTBF) SN 29500
	253.3 year(s)	CANopen, at 60° C (MTBF) SN 29500

Ambient conditions

Feature	Technical data	Additional information
Ambient temperature	-40 ... 105 °C	electronics
	-30 ... 100 °C	Mechanics, optionally to 105° C
Storage temperature	-40 ... 85 °C	
Relative humidity	100 %	condensation admissible in the mounted and plugged condition
EMC	EN 61326-3.1	immunity requirement of industry, class B emission limit
	ISO 11452-1, -2, -3, -4, -5	interference radiation ESA
	ISO 7637-1, -2	transient pulses
	ISO 10605	electrostatic discharge (ESD)
Protection category	IP69K	with suitable mating connector

Scope of delivery: SGH10L, Quick Start Guide

Accessories:

Programming Tool ProTool SGH

Wire extension piece SVH

Socket wrench ZB4008

rope swivel ZB4009

www.siko-global.com

www.siko-global.com

www.siko-global.com

www.siko-global.com