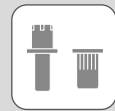


RIVDOM® eVNG 2

Battery-powered setting tool for blind rivet nuts and bolts



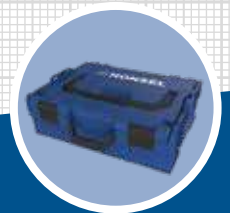
NEW
Second
quarter
of 2021

Rivdom eVNG 2 gets to grips. **Uncompromising.**

The new **HONSEL** battery riveter now offers the ultimate solution for cordless settings of blind rivets nuts and bolts. Oriented to the demands of industrial series production, Rivdom eVNG 2 offers a wide range of use features and options.

Innovative. Sturdy and reliable.

M3 - M12



Innovative motor technology

Safe transport in the L-Boxx system

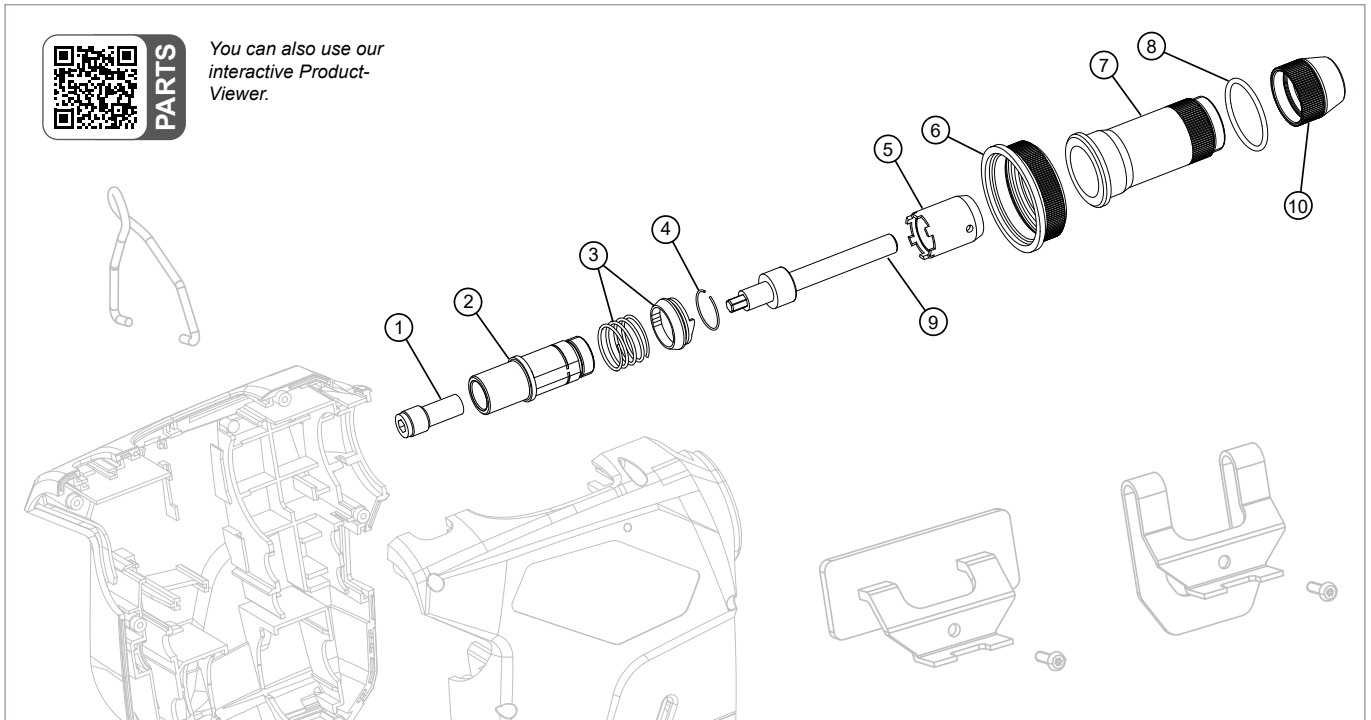


	M3	M4	M5	M6	M8	M10	M12
optional	Aluminium					optional	
optional	Steel					optional	
optional	Stainless steel					optional	
	Steel						
kg	2.4 kg	⌚ < 30 min.		<ul style="list-style-type: none"> 1x Rivdom eVNG 2 battery riveter in HONSEL L-Boxx® 20V/2.0 Ah Li ion battery with optical state-of-charge indicator (number depending on variant) 1x Rivdom-PLUS quick-charger 5x blind rivet nut conversion kit 1x each belt clip, hanger bracket and rivet application plate 			
HUB	20 mm						
	Screwing on / off variable						
Item no. 320620000000-010-1 (1x battery 20V/2Ah)							
Item no. 320620000000-020-1 (2x battery 20V/2Ah)							





You can also use our interactive Product-Viewer.



Spare and wear parts

1	321620000053	Pull spindle adapter
2	321620000054	Spacer
3	321620000055	Quick release ring + spring
4	321620000056	Quick release c-ring
5	321620000016	Clamping sleeve
6	321620000018	Union ring
7	321620000015	Front sleeve (with O-Ring)
8	321620000019	Rubber for union ring

Nosepieces

10	321620001203	Nosepiece M3
	321620001204	Nosepiece M4 -scope of delivery-
	321620001205	Nosepiece M5 -scope of delivery-
	321620001206	Nosepiece M6 -scope of delivery-
	321620001208	Nosepiece M8 -scope of delivery-
	321620001210	Nosepiece M10 -scope of delivery-
	321620001212	Nosepiece M12

Threaded mandrels/sleeves

9	321620001003	Mandrel M3
	321620001004	Mandrel M4 -scope of delivery-
	321620001005	Mandrel M5 -scope of delivery-
	321620001006	Mandrel M6 -scope of delivery-
	321620001008	Mandrel M8 -scope of delivery-
	321620001010	Mandrel M10 -scope of delivery-
	321620001012	Mandrel M12
no fig.	321620001104	Threaded sleeve M4
	321620001105	Threaded sleeve M5
	321620001106	Threaded sleeve M6
	321620001108	Threaded sleeve M8