

MOSCA®

EXCELLENCE IN STRAPPING SOLUTIONS

EVOLUTION



RO-MP-6 T for Timber Application
Automatic strapping machine

EVOLUTION RO-MP-6 T for Timber Application

STANDARD FEATURES

- Modular construction
- High-end Standard 6 sealing unit
- Narrow sealing unit with thermostatically controlled heat-weld sealing
- Pneumatic hold-down device
- Pneumatic side pusher with opposite buffer plate
- Signal exchange via 16-pin contact
- Easy accessibility and tool-free disassembly of strap path components
- Low wear of DC drives with integrated electronics
- Stepless turnable operation panel (ECOB) for many-sided operation
- Adjustable strap tension via operation panel
- Programmable strap tension value
- Switching from maximum to material-friendly Eco-speed in the control
- Cycle counter integrated in the control
- Quick strap coil change
- Strap coil changeable from the front and the side
- Automatic strap threading system
- Strap end detection with ejection of remaining strap
- Automatic strap loop ejection
- Extremely low energy consumption
- Stand-by mode
- 4 castors, 2 of them lockable
- CE marking inclusive conformity declaration
- Structural painture in RAL 5010, gentian blue

OPTIONS

- Additional short-stroke cylinder (25 mm) instead of buffer plate
- Table with a bead (front and rear table)
- Table extension
- Emergency stop button
- Automatic adjustment of the strap tension by package height detection
- Lowering chassis H = 730 – 835 mm to the front and rear, or outwards
- Manual strapping release via additional fixed or flexible foot pedal
- Early strap ending indication with signal in the operation panel
- Signal light (LED)
- 4 swivel castors, 2 with brakes
- Hinged cable conduit
- Special painture according RAL scale

TECHNICAL DATA

PERFORMANCE:

- Up to 35 cycles per minute

FRAME SIZES (WxH):

- 500 x 400 mm

STRAPS:

PP straps, width: 5, 6, 8, 9, 10 or 12 mm

The machine is set to one of the mentioned strap widths.

STRAP COIL DISPENSER:

Core diameter: 200 mm
Core width: 190 mm
Max. outer diameter: 430 mm

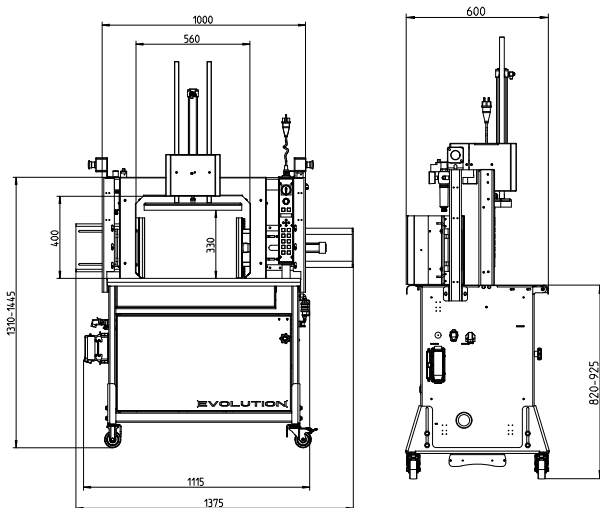
ELECTRICITY:

Voltage: 100-240 V, 50/60 Hz, 1L+N+PE
Power consumption: approx. 0.2 kW

SEALING UNIT:

Narrow sealing unit with thermostatically controlled heat-weld sealing

WEIGHT: 250 kg



MOSCA®

EXCELLENCE IN STRAPPING SOLUTIONS

Mosca GmbH

Gerd-Mosca-Straße 1

D-69429 Waldbrunn/Germany

Tel.: + 49 6274/932-0

Fax: + 49 6274/932-400 118

Tel. Tech. Service: + 49 6274 / 9 32-1 46

E-Mail: info@mosca.com

Internet: www.mosca.com

04/2020 Subject to Alterations

The models of RO-MP-6 T are adjustable to one strap width of PP straps from 5, 6, 8, 9, 10 to 12 mm. Obtainable directly from Mosca, produced in one of Europe's most modern manufacturing plants. Combinable with maintenance contracts by Mosca – a one-stop solution.

