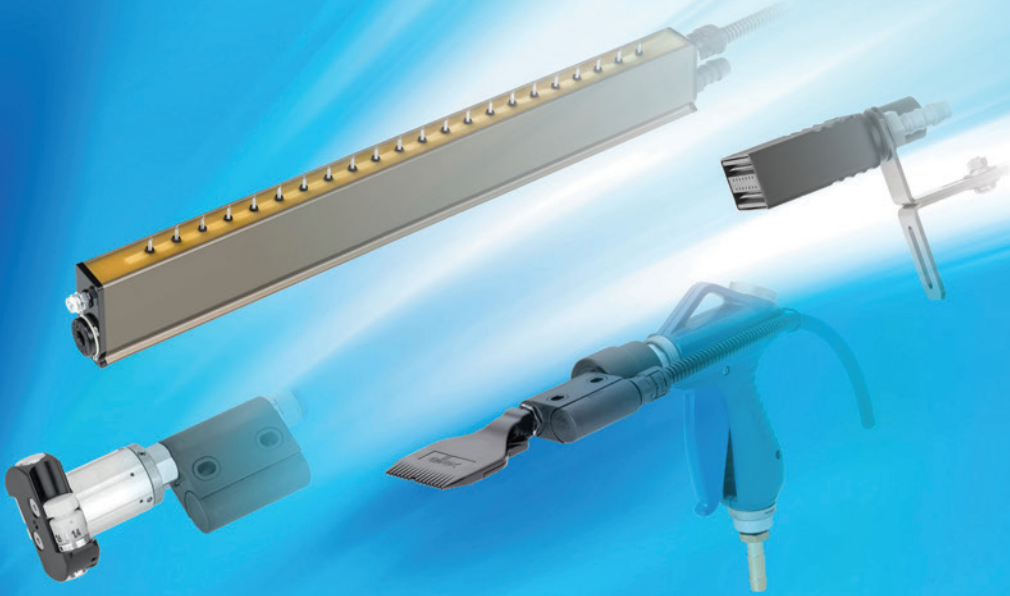


DISCHARGING



electrostatic
innovations



HIGH-END Discharging POWER IONIZER

Safe. Precise. Perfect. Eltex HIGH-END Discharging Technology

HIGH-END discharge for the highest discharge performance

The high-performance discharge power supply POWER IONIZER impresses with its flexibility. The simple operation, the LED display for visualization of the current values and the integrated function and malfunction monitoring characterize the power supply unit. The POWER IONIZER can be operated with the Eltex AC discharging bars, ion blower nozzles and ion blower pistols. Lowest residual charges can be achieved by different adjustable parameters. Operation is possible as single unit or in a network.



POWER IONIZER
with Membrane Keyboard

POWER IONIZER main features:

- 2 plug-type high voltage outputs
- stable output voltage adjustable between 3.5 - 5 kV AC
- easy adjustment of the ion balance and the discharge frequency between 50 Hz and 250 Hz
- small dimensions
- easy installation
- solid design in protection class IP
- robust, compact design
- low weight
- integrated function and error monitoring
- LED display for visualization the operating status
- Integration of the power supply into CANopen® networks (optional)
- Industrial Ethernet support (optional)



Touch-Display (optional) for:

- pre-settings
- password protection
- preferred display values on main page
- error/maintenance messages in plain text
- history of errors/warnings
- familiar structure in the form of folders/tabs

Connection of discharge components for alternating voltage (AC)

- R47 / R50 / R60L discharging bars
- R36E ion blower nozzles
- R55E ion blower heads
- PR36 / PR 55 ion blower pistols
- ESV61 / ESVY61 distributors



ELTEX CONNECTED CONTROL ECC

The multifunctional control unit for central operation, visualization, parameter setting and monitoring. The ECC takes over the control from a single source and monitors all devices connected to it. Communication via CANopen®. Also available as software with interface card.



POWER IONIZER

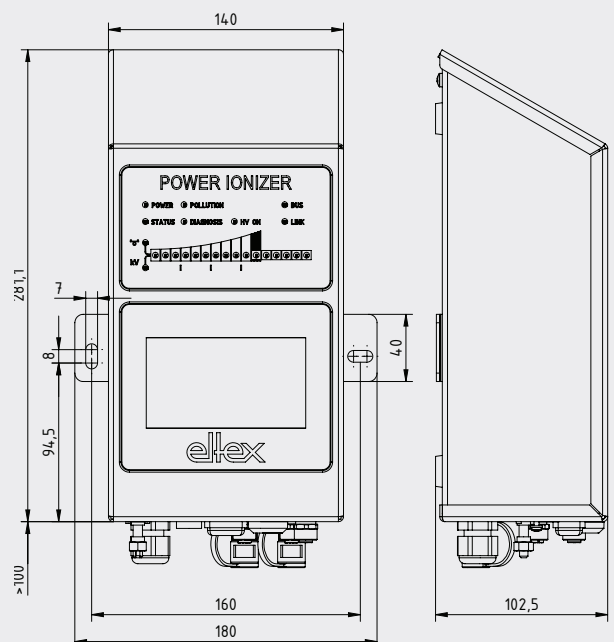
Technical specifications

Supply voltage	24 V DC +/-15%, 90–264 V AC 47–63Hz, 50W
Start-up current	45A maximum
Output voltage	3.5 – 5 kV AC, 50 – 250Hz
Loading capacity	depending on length of bar and length of high voltage cable
Output current	max. 6.2 mA
Connections	2 high voltage connections
Operation	membrane keyboard or touch-display
Monitoring	function and malfunction monitoring
Interfaces	analog, CANopen, ModbusTCP
Enclosure	sheet metal steel with wall bracket
Protection class	IP54 accoring EN60529
Dimension with wall bracket	102.5 x 180 x 310 mm (H x W x D)
Weight	approx. 4.6 kg
Ambient operating temp.	+5 ... +50°C (+41...+122°F)
Connection options	discharging bars operated with AC voltage: R47/R50/ R60L, R36E ion blower nozzles, R55E ion blower heads, PR36 / PR 55 ion blower pistols

Dimensions



POWER IONIZER
with Touch-Display



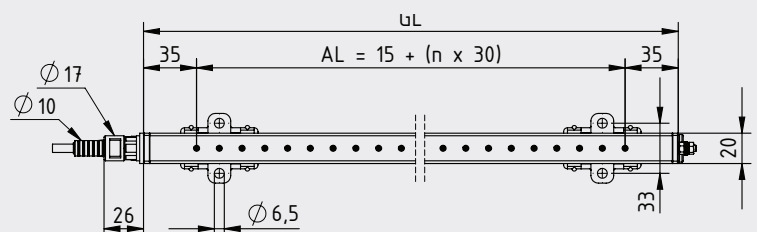
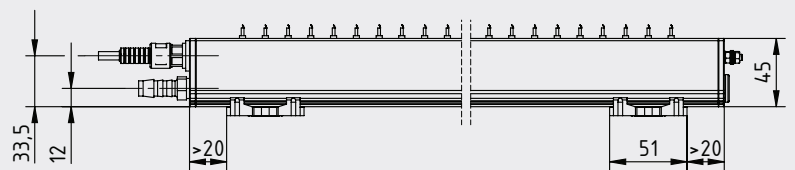
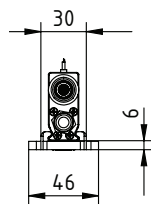
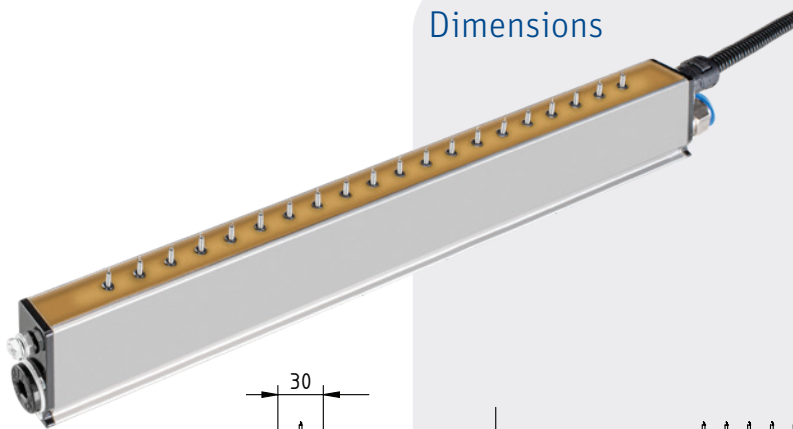


Discharging Bar flexION air R60L

Technical specifications

Electrode (bar) element	aluminium mit special coating		
Encapsulation material	polyurethane, UL-94 V-0		
Emission tips	stainless steel, flexible		
Installation material	glas fiber reinforced plastic bracket		
Operating ambient temp.	0...+80°C (+32...+176°F)		
Ambient humidity	max. 70% RH, non-dewing		
Dimensions	profile: 20 x 45 mm, max. length: 2,785 mm		
Weight	approx. 1.6 kg/m		
Operating voltage	max. 5 kV AC, 50 – 250 Hz		
High voltage supply	via Eltex power supplies		
High voltage connection	high voltage cable encapsulated, axial or radial (rotatable by 360°) lead-out, integral component of the bar, specify cable length and power supply		
Short-circuit current / tip	max. 0.046 mA		
Contact protection	according to EN 61140		
Air supply	integrated air profile, air outlet apertures \varnothing 1mm, spacing 15 mm		
Air connection	push-in fitting 10 mm, apparatus air free of oil and water		
Air pressure	max. 1×10^5 Pa		
Air consumption / meter (standard values)	Air connection	single-sided	double-sided
	Pressure [1×10^5 Pa]	0,05 0,1 0,2	0,05 0,1 0,2
	Air consumption [Nm^3/h]	0,55 1,1 2,2	0,95 1,95 3,8

Dimensions

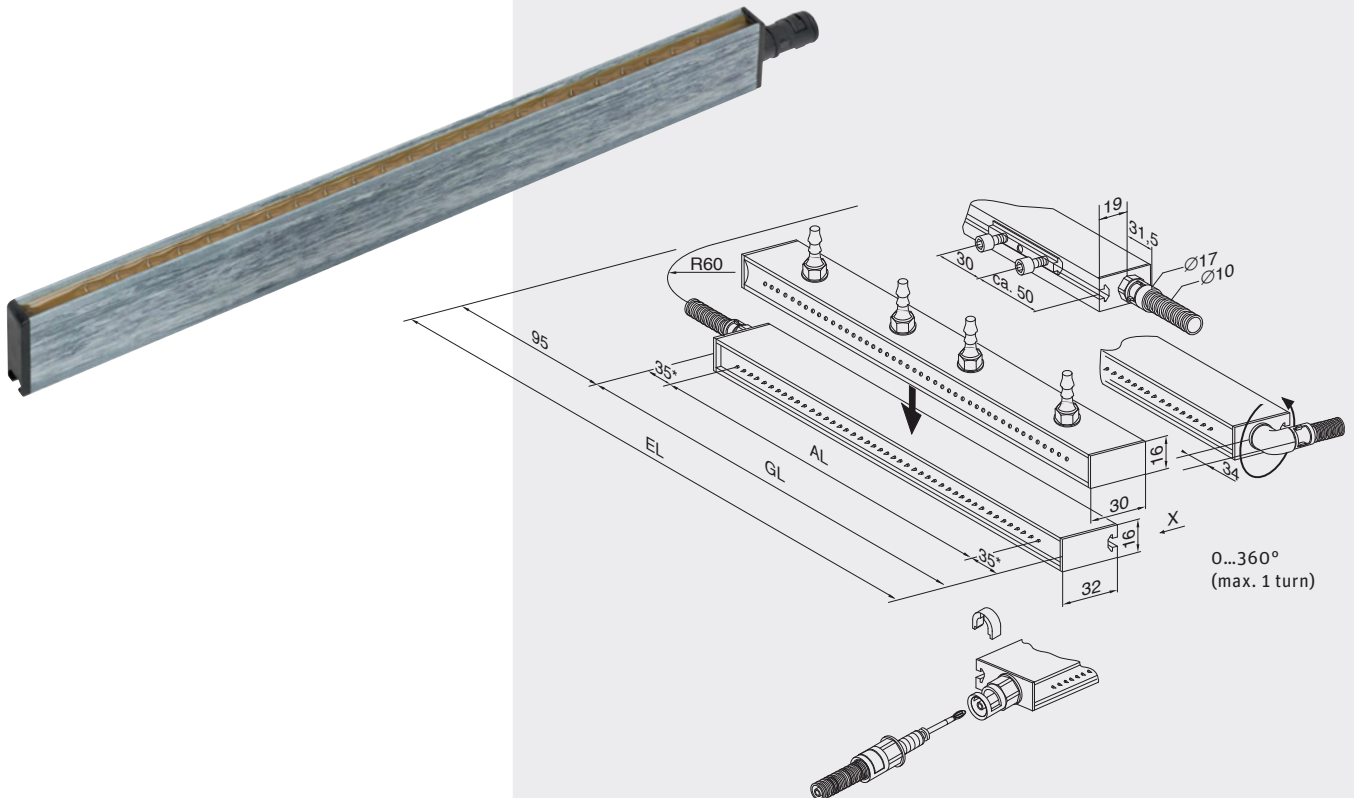


Discharging Bar R50

Technical specifications

Electrode (bar) element	glass-fibre-reinforced plastic GRP
Encapsulation material	polyurethane, UL-94 V-0
Emission tips	stainless steel
Installation material	plastic sliding nuts
Operating ambient temp.	0...+80°C (+32...+176°F)
Ambient humidity	max. 70% RH, non-dewing
Dimensions	profile: 16 x 32 mm, max. length: 5.980 mm,
Weight	approx. 0.75 kg/m
Operating voltage	max. 5 kV AC, 50/60 Hz
High voltage supply	via Eltex power supplies
High voltage connection	high voltage cable encapsulated, axial or radial (rotatable by 360°) lead-out
Short-circuit current/tip	max. 0,046 mA
Contact protection	according to EN 61140
UL approval	File No. E227156 (max. 6 kV AC, 50/60 Hz)

Dimensions



Overview and dimensions of the R50/R51A discharge bar and the L50 air profil
 EL = Installation length, AL = active length, GL = total length

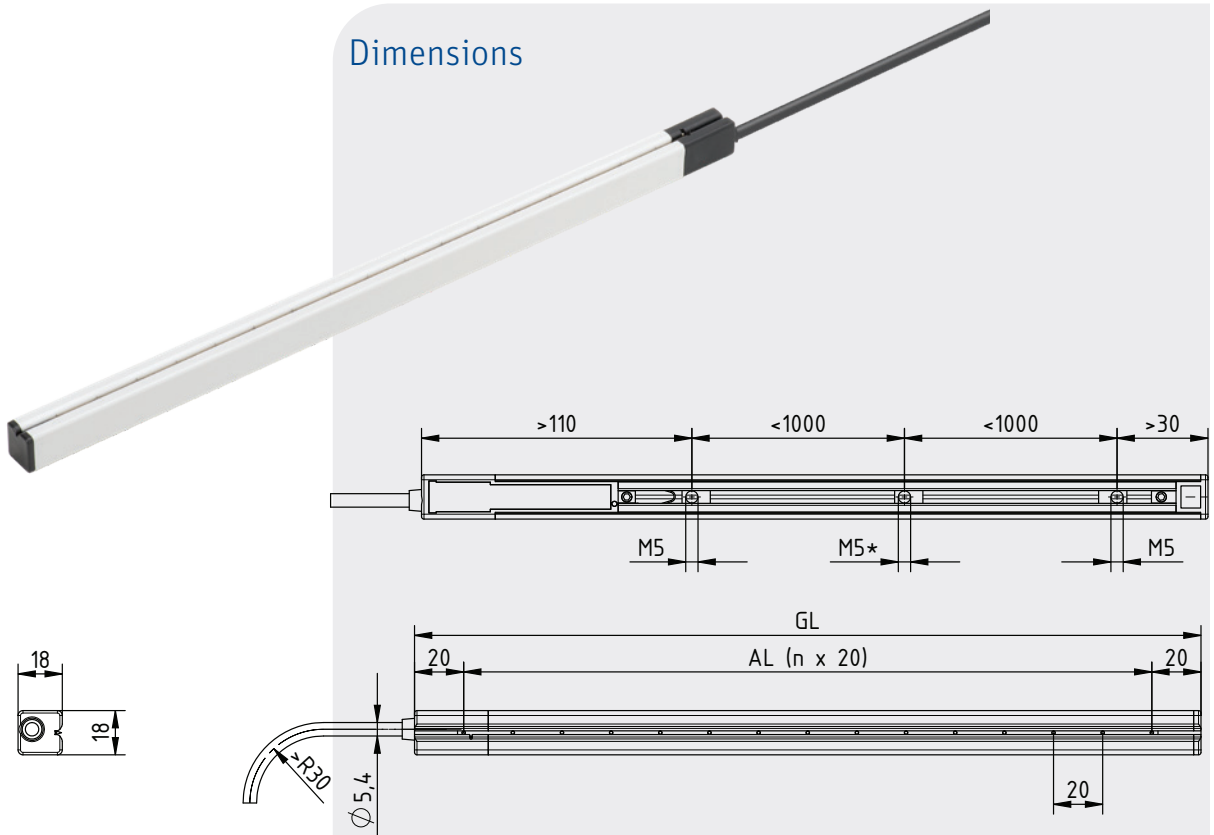


Discharging Bar R47

Technical specifications

Electrode (bar) element	glass-fibre-reinforced plastic GRP
Carrier section	aluminium
Encapsulation material	stainless steel
Installation	via movable sliding nuts M5 in the carrier section
Ambient operating temp.	0...+70°C (+32...+158°F)
Ambient humidity	max. 70% RH, non-dewing
Dimensions	profile: 18 x 18 mm, active length 1,860 mm maximum
Weight	approx. 0.5 kg/m
Operating voltage	max. 5 kV AC, 50/60 Hz
High voltage supply	via Eltex power supplies
High voltage connection	high voltage cable encapsulated, axial lead-out
Short-circuit current	0.5 mA
Contact protection	according to EN 61140

Dimensions



AL = active length 1860 mm max.

GL = total length

*M5 depending on length

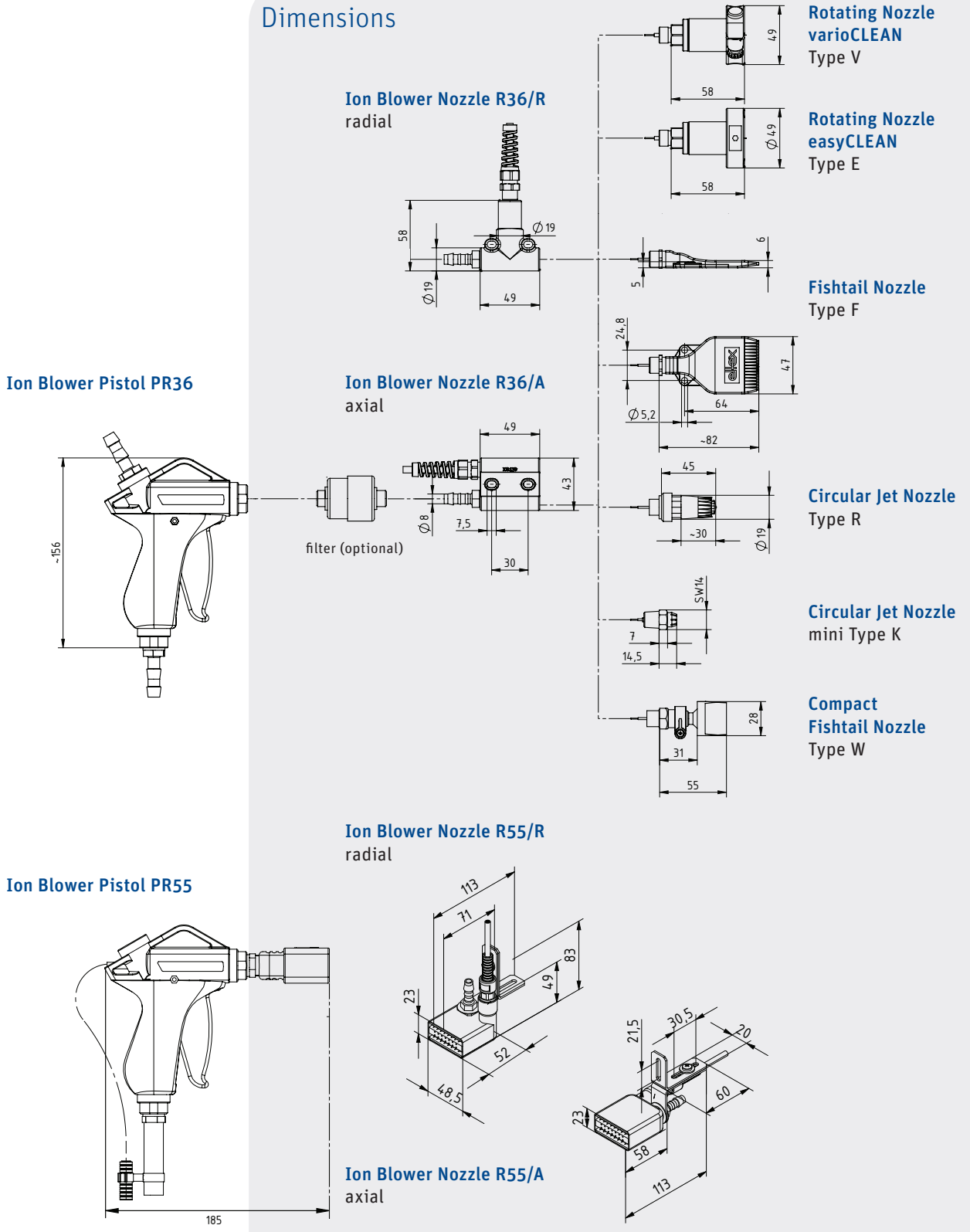
number of sliding nuts M5: AL of 120 – 1000 mm: 2 pieces

AL of 1020 – 1860 mm: 3 pieces

max. allowable distance between the sliding nuts: 1000 mm

**Ion Blower Technology:
Ion Blower Nozzles, Heads, Pistols**

Dimensions





Ion Blower Nozzles, Heads, Pistols

Technical specifications

Operating voltage	5 kV, 50 – 250 Hz												
High voltage supply	via Eltex power supplies												
Ambient operating temperature	0...+80°C (+32...+176°F) with blown air; blown air temperature max. 30°C 0...+60°C (+32...+140°F) without blown air												
Ambient humidity	max. 70%, no dewing permitted												
Bar element	plastic (PA 6.6 30 % GF), PR55 – 40 % GF												
Emission tip	tungsten, current-limited and low capacitance												
Contact protection	contact protected according to EN 61140												
High voltage connection	High voltage cable axial, firmly glued												
Air connection	R36/R55: plug-in connection 8 mm; PR36/PR55: hose DN10 mm / G1/4"												
Weight	R36/_F: approx. 60 g, PR36/_F: approx. 240 g, R36/_V: approx. 185 g, PR36/_C approx. 410 g, R55/_ approx. 100 g, PR55/_ approx. 200 g												
Air pressure	max. 6 bar												
Air consumption [Nm³/h]	Typical values												
Air pressure [bar]	0.5	1.0	1.5	2.0	2.5	3.0	3.5	4.0	4.5	5.0	5.5	6.0	
(P)R36/_F, (P)R36/_R	3	7	9	12	15	17	20	23	26	29	32	34	
(P)R36/_K	1.7	3.4	5.1	6.0	6.8	8.5	9.4	11.0	12.7	13.6	15.3	17	
(P)R36/_W	4	8											
(P)R36/_E									11.7	13.0	14.1	15.2	
R55/RL	6.4	12.5	17.8	22.6	27.7								
R55/RB	4.7	9.5	13.5	18.1	22.1								
R55/AL	5.8	11.0	15.9	20.5	24.5								
R55/AB	2.8	5.5	8.3	11.2	14.2								
PR36/_C	Nozzle inserts Ø mm	1.2*	1.6	1.8	2.0	* standard							
	Air consumption, 6 bar	25.8	47.4	59.4	72.6								
R36/_V	Nozzle inserts Ø mm	0.8	1.1	1.4	1.6								
	Air consumption, 6 bar	7.8	10.98	12.31	3.38								
UL-Approval	File Nr. E227156 (as shown on appliance marking)												