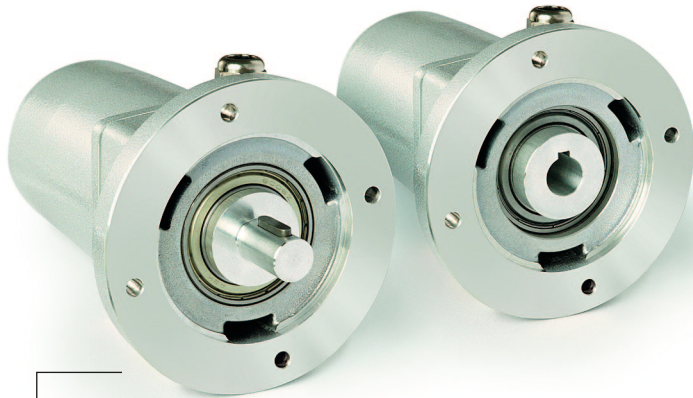


# Geared potentiometer GP04/1



**SIKO GmbH**

**Address**  
Weihermattenweg 2  
79256 Buchenbach

**Telephone**  
+49 7661 394-0

**Fax**  
+49 7661 394-388

**eMail**  
info@siko.de  
**Internet**  
www.siko-global.com

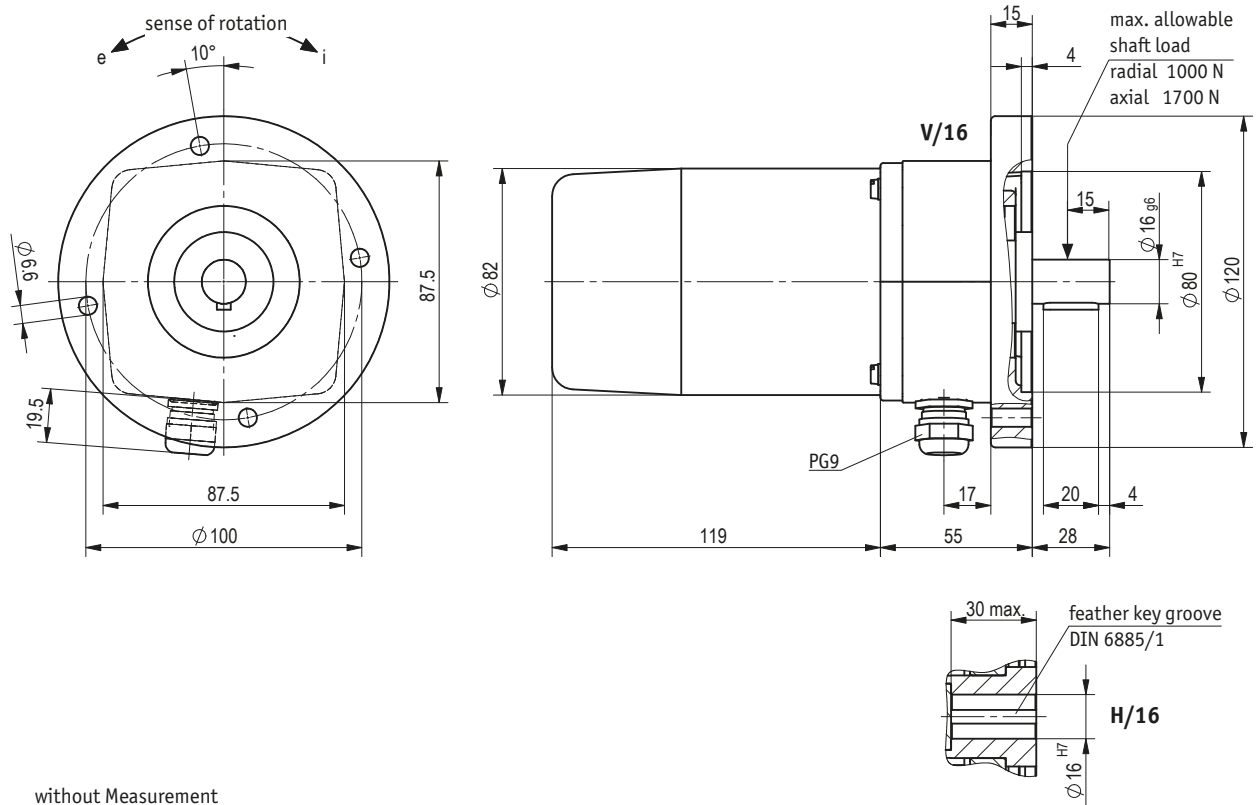
**Features:**

- solid- / blind hole-shaft  $\varnothing 16$
- adaptation to various measurement distances thanks to the broad range of available gear ratios
- integrated slip clutch for potentiometer protection
- Measurement transducer as an option
- Protection class IP65 for critical applications as an option

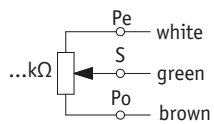
Feature	Order Text		Additional information
Gear rotation	0.2 ... 256	A	
Drive shaft	H/16	B	Hollow shaft $\varnothing$
	V/16		Solid shaft $\varnothing$
Potentiometer type	01	C	1 filament (P01)
	02		10 filament/wire (P01, P05, P10)
	03		10 filament (P01, P05, P10)
Analog output	MWI	D	Measurement transducer 4 ... 20 mA
	MWU		Measurement transducer 0 ... 10 V
	P01		Potentiometer 1 k $\Omega$ m
	P05		Potentiometer 5 k $\Omega$ m
	P10		Potentiometer 10 k $\Omega$ m
Counting direction	i	E	right rising (only with MWI or MWU)
	e		left rising (nur bei MWI or MWU)
Protection type	IP52	F	Standard
	IP65		

Your ordering: GP04/1 - A - B - C - D - E - F

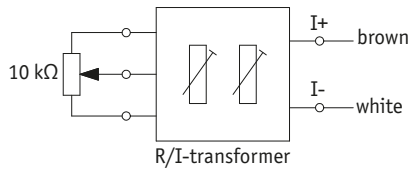
# Gear potentiometer GP04/1



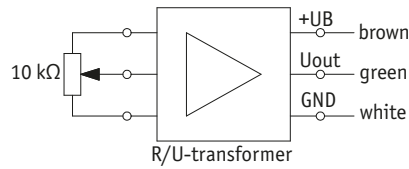
without Measurement transducer



Measurement transducer MWI



Measurement transducer MWU



## Technical data

Mechanical data:	
Shaft	aluminum, IP52 black-finished steel, IP65
Housing	aluminum
Gear ratio	0.2 ... 256
Speed	≤500 rpm; depending on the transmission
Shaft load rating	≤1000 N, radial ≤1700 N, axial
Potentiometer service life	1 x 10 <sup>6</sup> revolution(s)
Electrical data:	
Supply:	
Operating voltage	24 V DC ±20 %, MWI, MWU
Encoder potentiometer:	
Power rating	1 W at 70 °C, potentiometer type 01 2 W at 70 °C, potentiometer types 02, 03
Resistance	1 kΩ, potentiometer types 02, 03 5 kΩ 10 kΩ
Resistance tolerance	±10 %, potentiometer type 01 ±5 %, potentiometer types 02, 03
Standard terminal resistance	0.5 % or 1 Ω (the higher value always applies)
Linearity tolerance	±1 %, potentiometer type 01 ±0.25 %, potentiometer types 02, 03
Design	conductive plastic, potentiometer type 01 wire, potentiometer types 02, 03

## Technical data

Transducer, power output:	
Output current	4 ... 20 mA, at ≤500 Ω load
Transducer, voltage output:	
Output voltage	0 ... 10 V
System data:	
Measuring range	340° ±5° (mechanical full-length), potentiometer type 01 3600° +10°, potentiometer types 02, 03
Ambient conditions:	
Ambient temperature	-20 ... 80 °C
Relative humidity	condensation inadmissible
EMC	EN 61000-6-2; interference resistance / immision EN 61000-6-4; emitted interference / emission
Protection category	IP52, IP65; EN 60529