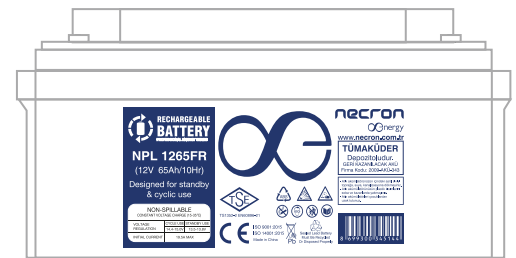
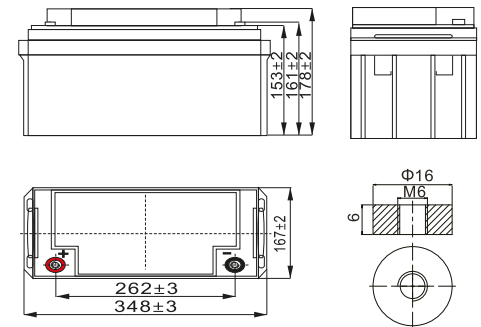


### Specifications

Rated Voltage	12V	
Nominal Rate (W <sub>15</sub> , 1.67V/cell)	215W	
Nominal Capacity(C <sub>10</sub> , 1.80V/cell)	65Ah	
Dimension	Length	348±3mm (13.70 inches)
	Width	167±2mm (6.57 inches)
	Container Height	178±2mm (7.01 inches)
	Total Height	178±2mm (7.01 inches)
Approx. Weight	19.2 Kg (42.3 lbs)	
Terminal	M6	
Container Material	Flame Retardent ABS (UL94-V0)	
Rated Capacity (25°C)	65.0 Ah	(10hr, 6.50A, 1.80V/cell)
	62.4 Ah	(8hr, 7.80A, 1.80V/cell)
	57.0 Ah	(5hr, 11.4A, 1.75V/cell)
	51.6 Ah	(3hr, 17.2A, 1.75V/cell)
	41.6 Ah	(1hr, 41.6A, 1.67V/cell)
Max. Discharge Current	975A	
Internal Resistance (25°C)	Approx. 7.0mΩ	
Operating Temp. Range	Discharge	-20 ~ 55°C (4 ~ 131°F)
	Charge	0 ~ 40°C (32 ~ 104°F)
	Storage	-15 ~ 50°C (5 ~ 122°F)
Nominal Operating Temp. Range	25±3°C (77±5°F)	
Max. Charging Current(25°C)	16.3A	
Charge voltage(25°C)	Float	13.5V
	Temp. Coefficient	-3mV/cell/°C
	Equalization	14.1~14.4V
Effect of temp. to Capacity	40°C (104°F)	106%
	25°C (77°F)	100%
	0°C (32°F)	86%
Self Discharge	≤3%/month @ 25°C	



### Layout



### Constant Current Discharge (Amperes) at 25 °C (77°F)

F.V/Time	5min	10min	15min	20min	30min	45min	1h	1.5h	2h	3h	4h	5h	8h	10h
1.85V/cell	135.3	101.0	84.1	70.7	54.3	40.5	34.2	25.7	20.6	15.5	12.4	10.3	7.29	6.09
1.80V/cell	157.7	119.1	97.8	81.4	61.4	45.3	37.9	28.1	22.4	16.8	13.3	11.1	7.80	6.50
1.75V/cell	172.1	127.7	103.5	85.5	64.2	47.2	39.3	29.0	23.1	17.2	13.7	11.4	7.94	6.60
1.70V/cell	186.4	136.2	109.4	89.9	67.0	49.0	40.7	30.0	23.8	17.7	14.0	11.6	8.08	6.70
1.67V/cell	194.6	141.2	112.8	92.5	68.7	50.1	41.6	30.6	24.2	18.0	14.2	11.8	8.17	6.76
1.60V/cell	214.5	152.8	120.9	98.5	72.6	52.7	43.6	31.9	25.2	18.7	14.7	12.1	8.36	6.91

### Constant Power Discharge (Watts/cell) at 25 °C (77°F)

F.V/Time	5min	10min	15min	20min	30min	45min	1h	1.5h	2h	3h	4h	5h	8h	10h
1.85V/cell	280.3	200.5	177.3	163.4	127.2	95.2	76.8	57.0	46.2	34.1	27.2	22.7	15.7	13.1
1.80V/cell	316.8	220.1	187.3	174.5	142.2	105.3	83.4	60.0	49.0	35.0	27.9	23.2	15.9	13.3
1.75V/cell	341.5	240.6	197.1	183.3	147.0	108.2	86.1	63.7	50.4	35.6	28.3	23.7	16.2	13.5
1.70V/cell	362.9	255.7	206.9	193.1	150.9	111.2	88.9	64.5	51.2	36.2	28.9	24.0	16.4	13.6
1.67V/cell	376.3	271.1	215.0	200.7	155.9	114.0	90.7	65.4	51.9	36.6	29.2	24.3	16.6	13.8
1.60V/cell	381.6	290.4	225.0	209.3	160.1	117.0	92.8	66.3	52.3	36.8	29.5	24.5	16.7	13.9

## Applications

- All purpose
- Uninterruptible Power Supply (UPS)
- Electric Power System (EPS)
- Emergency backup power supply
- Alarm and security system
- Communication power supply
- DC power supply
- Auto control system

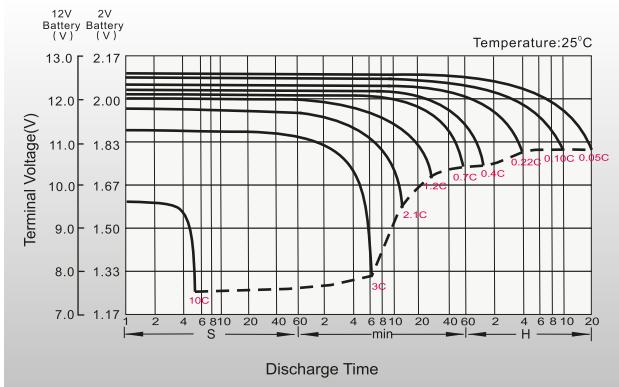
## General Features

- 10 years design life (25°C)
- ABS Material : Flame Retardent UL94-V0
- Special exhaust structure and sealing technology, safe and reliable, flexible installation, convenient maintenance
- PbCaSn alloy for plate grids: less gassing, less self-discharging
- High quality AGM separator: extend cycle life and prevent micro short circuit
- High purity raw material: ensure low self discharge rate

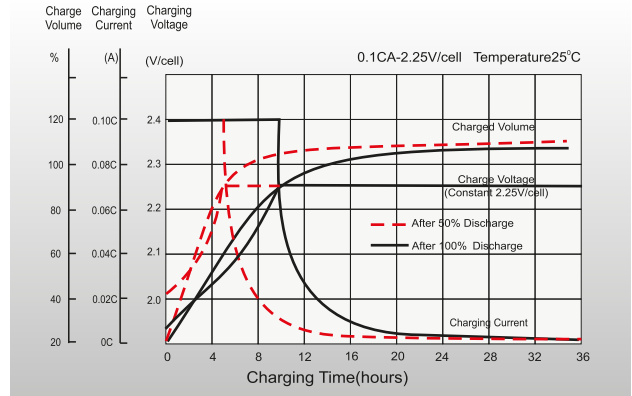
## Standards

- Compliance with IEC 60896 standards, EU Battery Directive
- UL, CE Certified
- Manufactured in ISO45001, ISO 9001 and ISO 14001 certified production facilities

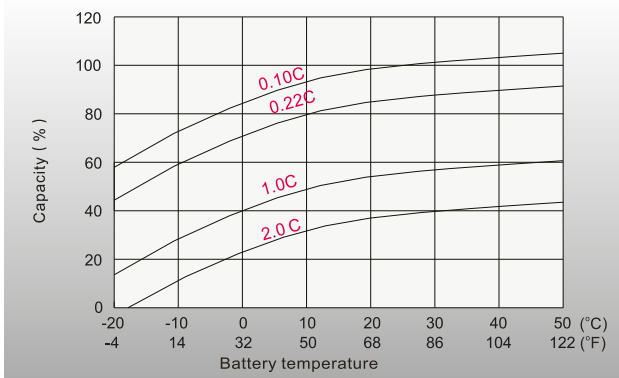
### Discharge Characteristics



### Float Charging Characteristics



### Temperature Effects in Relation to Battery Capacity



### Float Service Life

