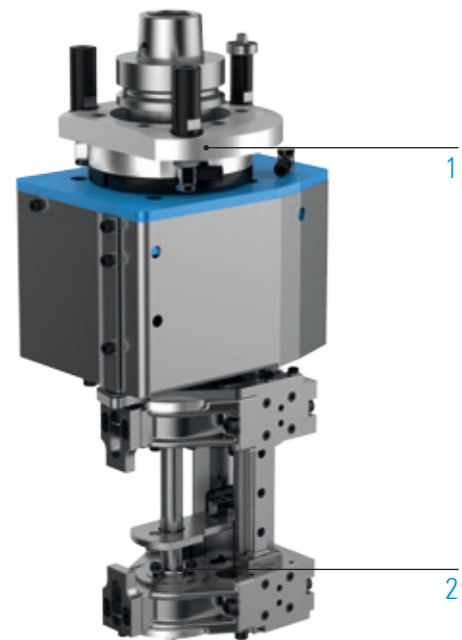


# TRIMMING UNIT – CLASSIC LINE LIVELLO

## TECHNICAL DATA

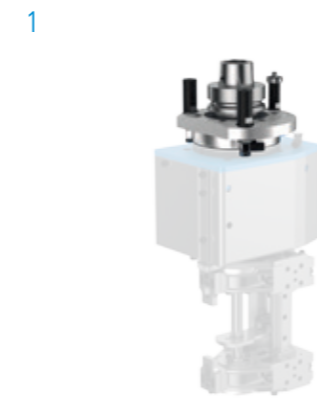


Lubrication	Grease
Max. drive speed $n_2$	12,000rpm
Transmission ratio ( $n_1: n_2$ )	1:1
Max. drive torque $M_2$	5Nm
Max. edge radius	R12
Max. workpiece thickness	60mm
Weight	about 11 kg

### STANDARD DESIGN

- 1  Machine connection  
HSK - F63
- 2  Output spindle  
Centring Ø19

## ADDITIONAL OPTIONS: MODULAR DESIGN



### MACHINE CONNECTION



HSK - F63 Felder    HSK - F63 HOMAG / WEEKE / WEINMANN    HSK - F63 IMA    HSK - F63 SCM    HSK - F63 Weinig

 For further information see p. 106



### OUTPUT SPINDLE



Centring Ø19

 For further information see p. 108

## MACHINING

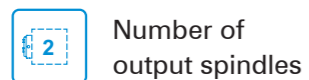


Milling



Sanding

## SPECIFICATIONS



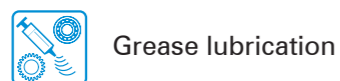
Number of output spindles



Axis angle



C-angle



Grease lubrication

## VIDEO



Unit - live in the application  
Scan QR code or go to:  
[www.youtube.com/BENZWerkzeugsysteme](http://www.youtube.com/BENZWerkzeugsysteme)

## ORDER DIRECTLY



Inquiry form:  
[www.benz-tools.de/en/products](http://www.benz-tools.de/en/products)