

Portioning device for round products.

Accurately shape and portion balls, dumplings, Labneh balls and meat balls.

So you would like to complement your range of convenience foods and are looking for innovative product ideas?

Put your money on the DMB-101 for rapidly and straightforwardly portioning balls, Labneh, croquettes, dumplings, meat balls and similar products. You prefer products with rounded ends? No problem – by combining the device with a pneumatic cylinder, you can also use it to produce croquettes with rounded ends.

Producing balls:

The diaphragm 821 is available with a single, double or triple diaphragm head for producing balls. The single head is available in DMB 100, DMB 101 and DMB-102, the double and triple head in DMB-101. The device is driven by a geared motor via a linkage. A cam disc in the diaphragm head ensures that the product is accurately shaped. Portioning rates (depending on product size and shape):

single head: max. 200 portions / min

double head: max. 400 portions / min

triple head: approx. 550 portions / min

Features:

The devices are available in three sizes designated DM-B100, DMB-101 and DMB-102 respectively depending on the maximum cross-section of the opening. The cross-section of the opening and thus the diameter of the products is adjustable. Product sizes for different sizes of diaphragm:

<u>Diaphragm</u>	<u>Product size</u>
DMB 100:	max. 35 mm
DMB 101:	max. 55 mm
DMB 102:	max. 75 mm

Producing Labneh Balls:

To produce Labneh balls, the device is supplied with a Multiple diaphragm heads in sizes DMB-100, DMB-101 and DMB-102. A pneumatic cylinder drives the device. Portioning rate (depending on product size and shape):
max. 550 portions/min



GmbH
WHITESTEEL
We Create Solutions

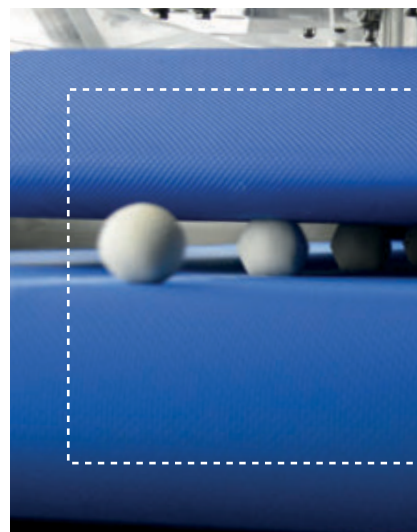
AT THE CUTTING EDGE WITH BALLS PRODUCTS

Forming systems from DMB Series are the right solution for producers who want to be a part of the trend towards new product diversity. The automatic production of formed products with various feed materials and cross-sections widens the range of modern, contemporary product ideas for today's consumers. White Steel offers forming systems for various different processes.

- Forming systems with diaphragm for small-scale, mediumscale and industrial producers
- Forming systems with filling flow divider for medium-scale and industrial producers.

The vacuum filler, which loads and controls the forming systems efficiently, is at the heart of the process. Visualisation of the product possible on the monitor control system screen – based on the input of forming parameters, the product shape is shown in a graphic representation and the process parameters are calculated. Gentle feed of the filling product and portioning accurate to the gram by the vane cell feed system guarantee firstclass product quality.

With formed products, optional use of the integrated White Steel inline grinding system technology facilitates even further improvement of the product quality due to protection of the product. With the grinder head integrated at the vacuum filler, the product is ground to its final grain size and simultaneously portioned in one process step. This reduces the cutting work and decreases the number of process steps. Augmented by the automatic and individually controllable separating device for gristle, product reliability is guaranteed. The production of formed products is optimised in terms of process technology and quality.



DMB Series		
Filling Capacity	Depending on the conveying element up to 2.500 Kg / H	
Portion weight:	From 5G to 30G.	
Portioning size:	From 1.5cm to 5cm.	
Portioning Speed:	Up to 550 pcs / min	
Vacuum:	16m ³ / h	
Storage Capacity:	10 To 15 Kg	
Weight::	400 kg	
Connected load, total:	4.9 Kw bei 50/60 Hz	
Connected load, Main engine:	4.0 Kw bei 50/60 Hz	
Voltage	Frequency	Amp
220 - 240 v	50/60 Hz	23A
400 -480 v	50/60 Hz	13 A
575V	60 Hz	9 A



WHITESTEEL GmbH
We Create Solutions



A wide range of products and variety are in demand. White Steel GmbH provides the suitable solutions. Continuous production of formed products makes it possible to be a part of consumer trends and exploit new market potential.

FLEXIBILITY

- Large range of applications for pasty products: Labneh, cheese, meat, convenience products, dough etc.
- Outstanding system flexibility due to simple adaptation to product

PRODUCT QUALITY

- Excellent product appearance due to extremely gentle processing
- Guaranteed reproducible, top quality product standards
- Well-formed products with maximum form accuracy Efficiency
- Individual portions accurate to the gram due to excellent portioning accuracy
- High level of productivity due to the continuous process

COST REDUCTION

- Portions accurate to the gram reduce give-away and costs
- Low maintenance and running costs

PROCESS RELIABILITY

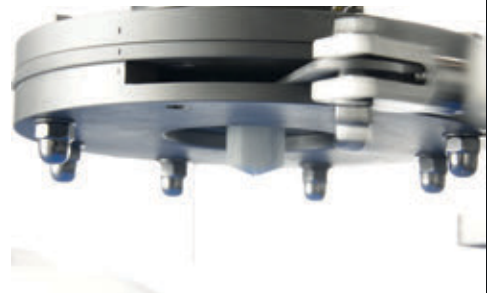
- High level of system availability and reliability, including as a module in complex process chains and handling systems
- Perfect hygiene conditions due to a reduction in manual intervention

INCREASE IN EFFICIENCY DUE TO PRODUCT HANDLING

The most productive way of producing formed products

Produce a wide variety of formed products fully-automatically. Product handling makes this possible. Continuous production with increased potential for automation, almost unmanned production and in-line packaging – White Steel GmbH product handling systems provide the opportunity to further automate the production process.

Forming systems have a modular design. Standard components, such as the vacuum filler and the inline grinding system, are the basis of these systems. Modules from depositing through to packaging facilitate a compact and complex line configuration, tailored to individual production requirements.



Diaphragm cutting system



Manual size adjustment system



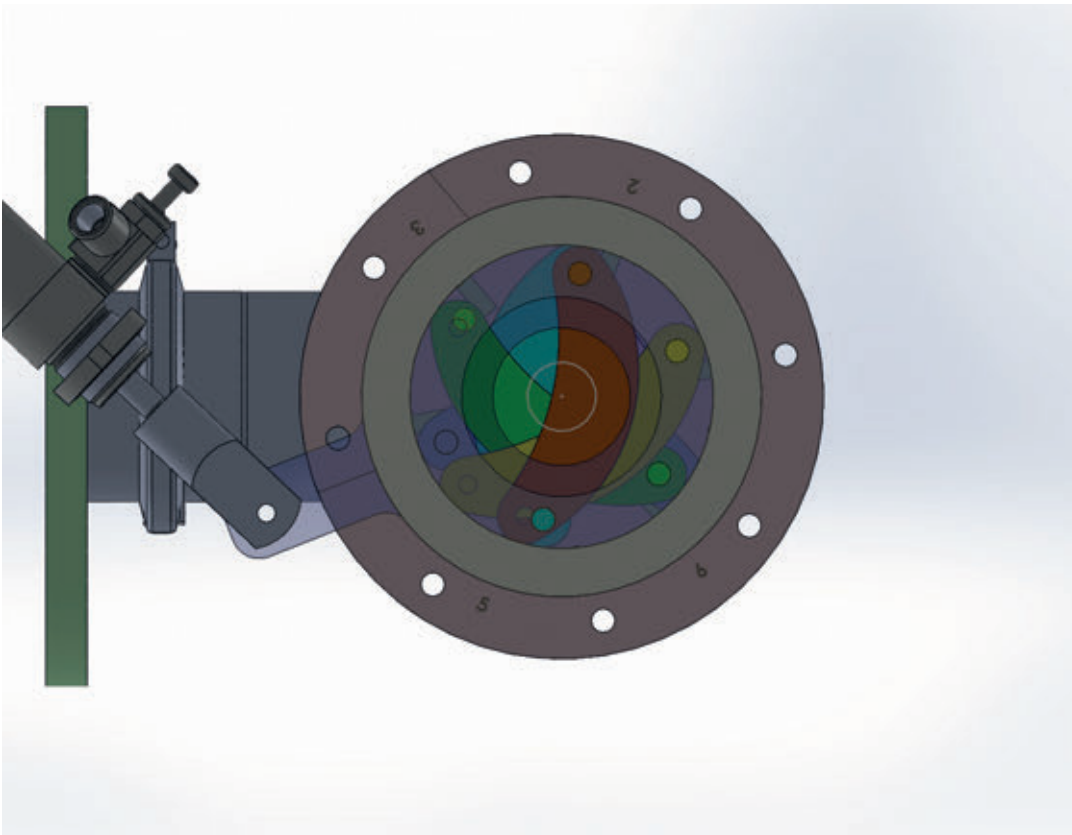
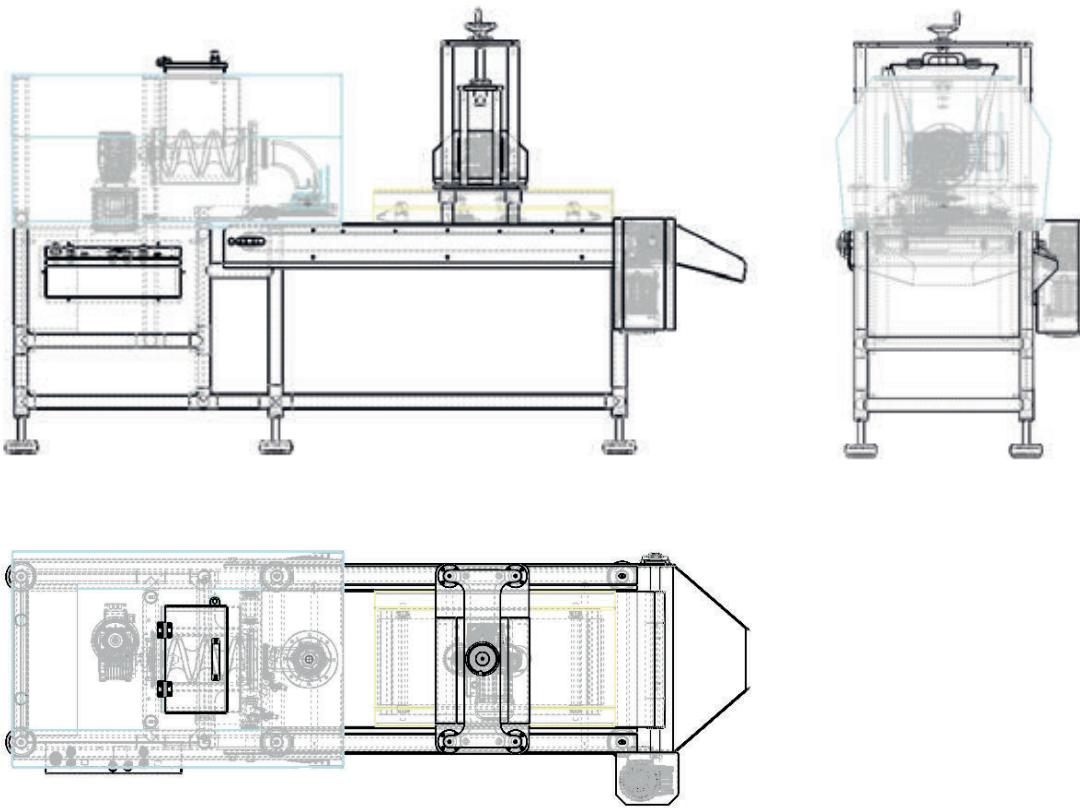
WHITESTEEL
We Create Solutions

GmbH



Less Is More

LABNEH BALLING MACHINE



WHITESTEEL GmbH
We Create Solutions

The information is for guidance only. We reserve the right to modify any material or feature without notice in advance. Photos are not binding. For further information, please, consult our web site

www.whitesteel.de



Balling Machine