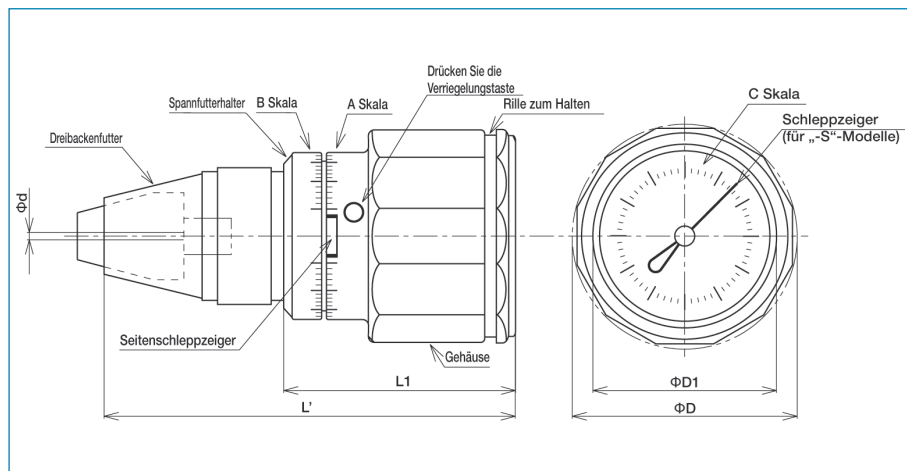


Torque Gauge – BTG



High precision Torque Gauge for measuring of micro torque and tightening

Suitable for fine torque measurements required in inspection, research and assembly of small parts, such as precision instruments, electronic products. Graduation and memory pointer on the body side ensure excellent visibility from different operating positions.

There are various application types, e.g. measuring of rotating objects, or also for measuring torque on orthodontic springs, et al.

BTG models have a three-jaw chuck which firmly grasp the object. Main body and chuck are locked when pushing “push lock button”. Push lock button makes body and chuck secured while using chuck.

Options

- Metric scale (kgf-cm) on request.
- Calibration kit BTGTCL150CN.

INFO

Note

When operating with the ATG/BTG (-S) torque gauge series, make sure that at least 10 mm of the object to be measured is clamped in the chuck.

INFO

- Accuracy $\pm 2\%$.
- Bi-directional peak torque measuring – cw/ccw.
- Dial scaled 270 degrees each direction, built-in overload protection.
- Equipped with aluminium cover and steel chuck (#321) as standard.
- Models with -S suffix have additional memory pointer in top display.
- Shipped in firm safe box incl. traceable calibration certificate.

BTG (cN-m)

Model (SI) *	Item No.	Torque Range cN-m	Grad. cN-m	L' mm	ØD mm	Ød mm
BTG15CN	T251052	2 - 15	0.2	118	64.2	1-8.5
BTG15CN-S	T251052-S					
BTG24CN	T251055	3 - 24	0.5	118	64.2	1-8.5
BTG24CN-S	T251055-S					
BTG36CN	T251058	4 - 36	0.5	118	64.2	1-8.5
BTG36CN-S	T251058-S					
BTG60CN	T251061	6 - 60	1.0	118	64.2	1-8.5
BTG60CN-S	T251061-S					
BTG90CN	T251064	10 - 90	1.0	118	64.2	1-8.5
BTG90CN-S	T251064-S					
BTG150CN	T251067	20 - 150	2.0	118	64.2	1-8.5
BTG150CN-S	T251067-S					

BTG (ozf-in)

Model *	Item No.	Torque Range ozf-in	Grad. ozf-in	L' mm	ØD mm	Ød mm
BTG60Z-S	T251050-S	6 - 60	1	118	64.2	1-8.5
BTG120Z-S	T251051-S	10 - 120	2	118	64.2	1-8.5

BTG (lbf-in)

Model *	Item No.	Torque Range lbf-in	Grad. lbf-in	L' mm	ØD mm	Ød mm
1.5BTG-A-S	T251054-S	0.1 - 1.5	0.02	118	64.2	1-8.5
2.4BTG-A-S	T251057-S	0.3 - 2.4	0.02	118	64.2	1-8.5
3.6BTG-A-S	T251060-S	0.4 - 3.6	0.05	118	64.2	1-8.5
6BTG-A-S	T251063-S	0.6 - 6	0.1	118	64.2	1-8.5
9BTG-A-S	T251066-S	1 - 9	0.1	118	64.2	1-8.5
15BTG-A-S	T251069-S	2 - 15	0.2	118	64.2	1-8.5



Further information available 24/7 on our website.

* Models ending with -S have an additional memory pointer in the upper display.