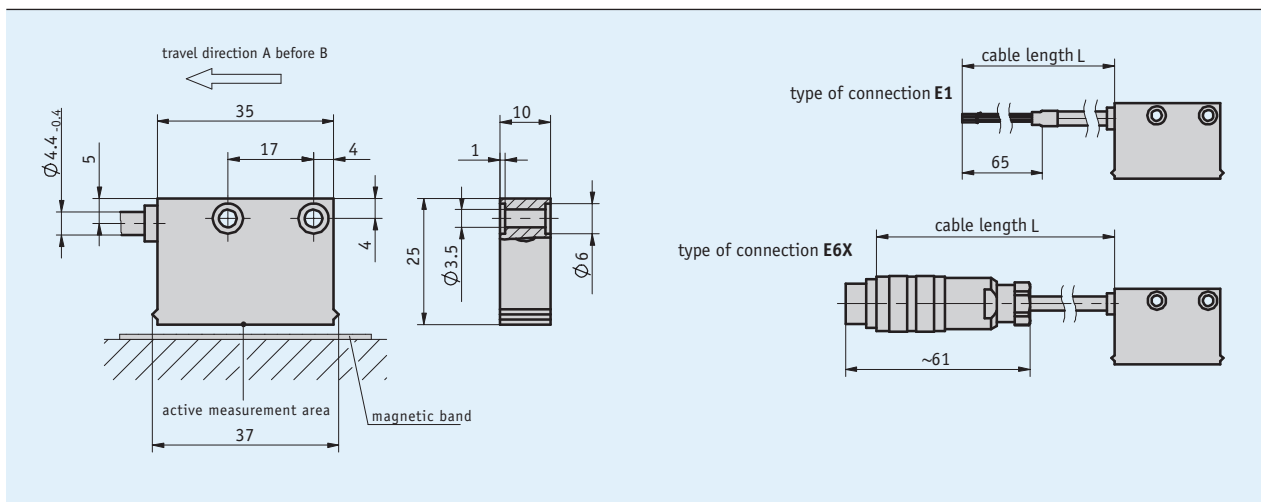
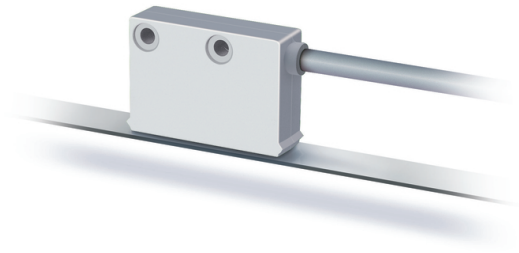


### Profile

- Max. resolution 1 mm
- Repeat accuracy of  $\pm 1$  increment
- Works with magnetic tape MB400
- Reading distance  $\leq 4$  mm



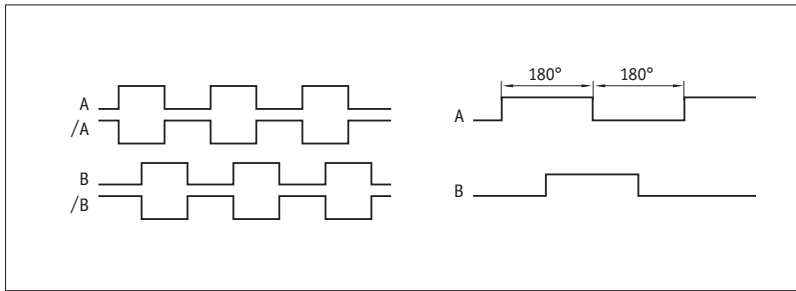
### Mechanical data

Feature	Technical data	Additional information
Housing	white plastic	
Sensor/band reading distance	0.1 ... 4 mm	
Cable sheath	PUR suitable for drag-chain use	4-wire $\varnothing 4.4_{-0.4}$ mm

### Electrical data

Feature	Technical data	Additional information
Operating voltage	24 V DC $\pm 20\%$	reverse polarity protected
Current consumption	$< 20$ mA	off-load
Output circuit	PP	
Output signals	A, B	90° off-phase
Output signal level high	$> U_B - 3.5$ V	
Output signal level low	$< 2$ V	
Real-time requirement	speed-proportional signal output	
Type of connection	open cable end plug connector	7-pole

## Signal patterns



## System data

Feature	Technical data	Additional information
Resolution	1 mm	with quadruple evaluation
System accuracy	$\pm(1 + 0.03 \times L)$ mm, L in m	bei 20 °C
Repeat accuracy	$\pm 1$ mm	
Measuring range	$\infty$	
Travel speed	<10 m/s	

## Ambient conditions

Feature	Technical data	Additional information
Ambient temperature	-10 ... 70 °C	
Storage temperature	-30 ... 80 °C	
Relative humidity	100 %	condensation admissible
EMC	EN 61000-6-2 EN 61000-6-4	interference resistance / immission emitted interference / emission
Protection category	IP67	EN 60529
Shock resistance	500 m/s <sup>2</sup> , 11 ms	EN 60068-2-27
Vibration resistance	100 m/s <sup>2</sup> , 5 ... 150 Hz	EN 60068-2-6

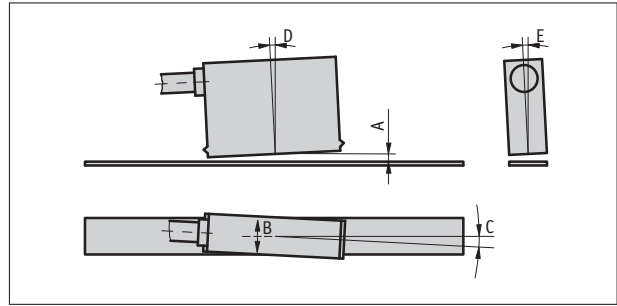
## Pin assignment

### Not inverted

Signal	E1	E6X
GND	black	1
A	red	2
B	orange	3
nc		4
+UB	brown	5
nc		6
nc		7
Shielding	white	

**Hint for mounting**

A, Sensor/tape reading distance	≤4 mm
B, Lateral offset	±2 mm
C, Alignment error	±3°
D, Longitudinal inclination	±3°
E, Lateral inclination	±3°



Symbolic representation

**Order**

■ **Ordering information**

one or more system components are required:  
Magnetic band MB400

[www.siko-global.com](http://www.siko-global.com)

■ **Ordering table**

Feature	Ordering data	Specification	Additional information
Type of connection	E1	open cable ends	
	E6X	A	round connector without mating connector
			cable extension on request
Cable length	...	B	01.0 ... 20 m, in intervals of 1 m
			others on request

■ **Order key**

MSK400/1 -  -

Scope of delivery: MSK400/1, Mounting instructions, Fastening set