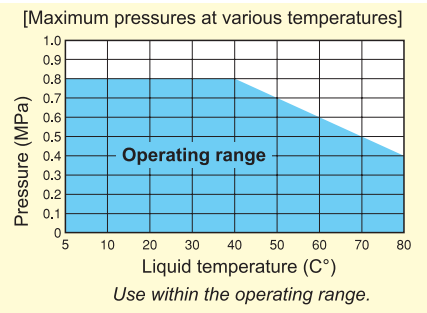
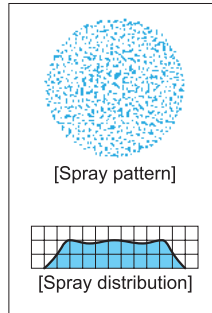
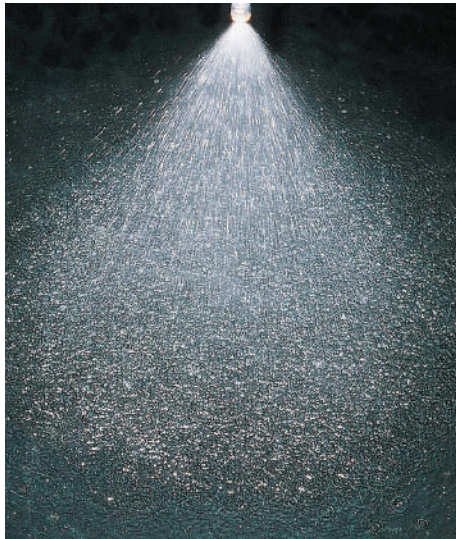


# Quick-detachable Standard Full Cone Spray Nozzles

# INJJX

Full Cone



### [Features]

- Full cone spray nozzle with a removable whirler.
- Made of high chemical and heat resistant PP (polypropylene).
- Quick-detachable design helps to significantly reduce maintenance time.
- Nozzle tips are color-coded by spray capacity for easy identification.

### [Standard pressure]

0.2 MPa

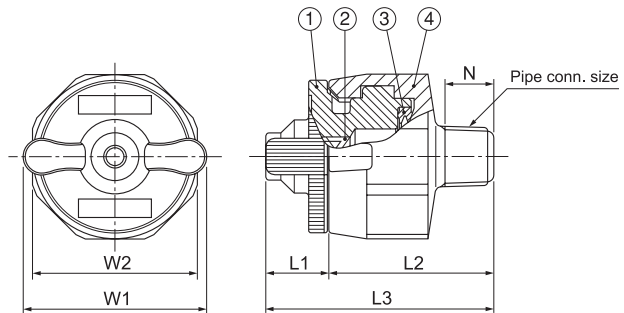
### [Applications]

- Cleaning • Etching • Stripping
- Chemical treatment
- For periodic maintenance or for the applications where precise spray alignment is required

## INJJX series

INJJX series	
Structure	<ul style="list-style-type: none"> <li>• Two-piece structure comprising a nozzle tip (with packing) and an adaptor. Whirler is included inside the nozzle tip.</li> <li>• Easy installation and removal of the nozzle tip just by turning 60°.</li> </ul>
Material	<ul style="list-style-type: none"> <li>• Nozzle tip and whirler: PP</li> <li>• Adaptor: PP or PPS</li> <li>• Packing: FEPM</li> </ul>

Pipe conn. size	Dimensions (mm)						Mass (g)	
	L1	L2	L3	W1	W2	N	PP	PPS
R1/8	10	27	37	30	27	8	9.2	12
R1/4	10	30	40	30	27	11.5	9.6	13
R3/8	10	30	40	30	27	12	10.5	14



① Nozzle tip ② Whirler ③ Packing (FEPM) ④ Adaptor

[Note]

• **INJJX series nozzles are not compatible with the discontinued ISJJX series.**

• Appearance and dimensions may differ slightly depending on materials and nozzle codes.

Spray capacity code	Pipe conn. size			Spray angle (°)			Spray capacity (ℓ/min)							Mean drop. dia. (μm)	Free pass. dia. (mm)	Color of nozzle tip	
	R1/8	R1/4	R3/8	0.05 MPa	0.2 MPa	0.5 MPa	0.03 MPa	0.05 MPa	0.1 MPa	0.15 MPa	0.2 MPa	0.3 MPa	0.5 MPa				0.7 MPa
010	○	○	○	60	65	55	—	0.53	0.73	0.88	1.00	1.18	1.45	1.67	290	0.8	Green
015	○	○	○	60	65	55	—	0.79	1.09	1.32	1.50	1.77	2.18	2.50			
020	○	○	○	60	65	55	—	1.06	1.46	1.75	2.00	2.36	2.91	3.34			
025	○	○	○	60	65	55	—	1.32	1.82	2.20	2.50	2.95	3.62	4.17			
030	○	○	○	60	65	55	—	1.59	2.18	2.63	3.00	3.54	4.36	5.00			
040	○	○	○	60	65	55	—	2.12	2.91	3.51	4.00	4.72	5.81	6.67			
050	○	○	○	65	70	60	—	2.65	3.64	4.38	5.00	5.90	7.27	8.34	520	2.0	Purple
060	○	○	○	70	75	65	2.51	3.18	4.37	5.26	6.00	7.08	8.72	10.0			

### How to order

Please inquire or order for a specific nozzle using this coding system.

#### ① Complete assemblies

〈Example〉 1/8M INJJX 040 PP (FEPM) + PP

1/8M INJJX 040 PP (FEPM) + PP

Pipe conn. size*	Spray capacity code	Adaptor material
1/8M	010	PP
1/4M	060	PPS
3/8M		

#### ② Nozzle tip only

〈Example〉 INJJX 040 PP (FEPM)

INJJX 040 PP (FEPM)

Spray capacity code
010
060

Nozzle tip contains a packing and whirler.

\*"M" indicates male thread ("R" of the ISO standard) and "F" indicates female thread ("Rc" of the ISO standard), e.g. 1/8M = R1/8.

### ALSO AVAILABLE!

Quick-detachable Standard Flat Spray Nozzles

## INVV series

See p.23 of this catalog.

### Stainless steel type

Quick-detachable

## INJJX-SS series

Contact us for details.