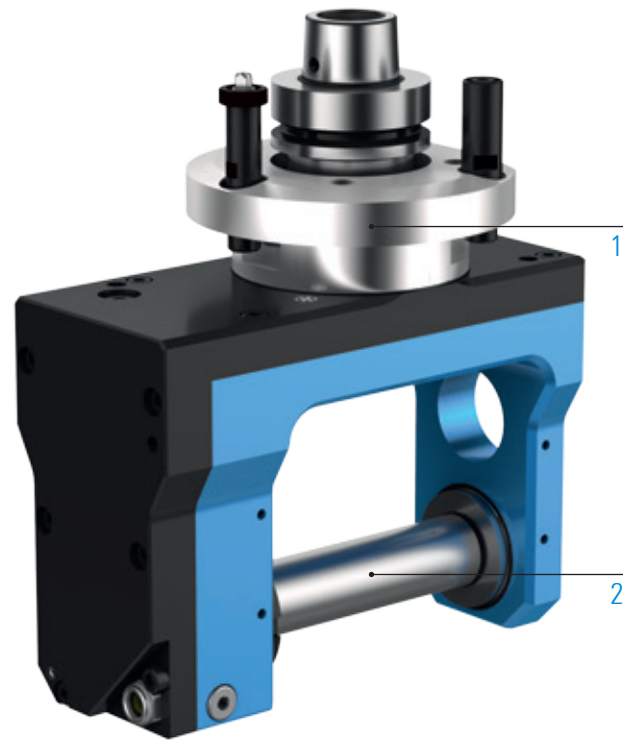


# MOULDER HEAD - PREMIUM LINE MOULDER

## TECHNICAL DATA

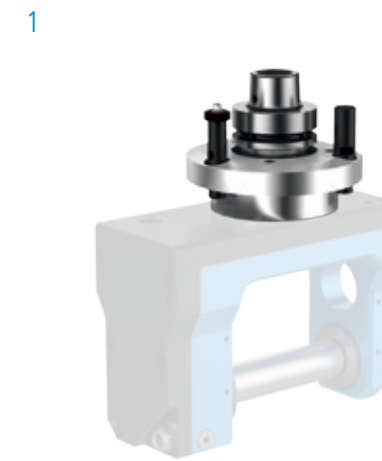


Lubrication	Oil bath
Max. drive speed $n_2$	10,000rpm
Transmission ratio ( $n_1: n_2$ )	1:0.7
Max. drive torque $M_2$	25Nm
Weight	about 10kg
Max. tool diameter	Ø180

### STANDARD DESIGN

- 1  Machine Connection  
HSK - F63
- 2  Output spindle  
Arbor Ø30, tool length 120 mm

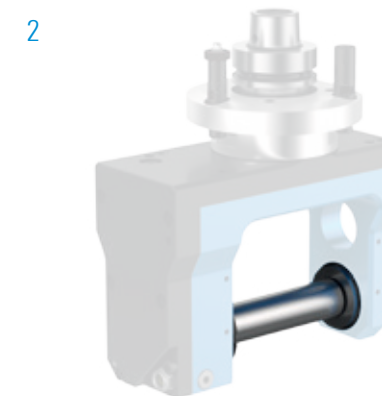
## ADDITIONAL OPTIONS: MODULAR DESIGN



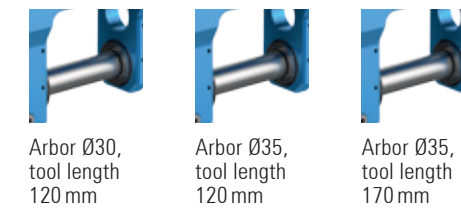
### MACHINE CONNECTION



 For further information see p. 106







### OUTPUT SPINDLE







 Additional arbor diameters and tool lengths on request


### MACHINING

-  Milling
-  Sawing
-  Planing
-  Brushing

### SPECIFICATIONS

-  Number of output spindle
-  Axis angle
-  C-angle
-  Oil bath lubrication

### VIDEO

 Unit - live in the application  
Scan QR code or go to:  
[www.youtube.com/BENZWerkzeugsysteme](http://www.youtube.com/BENZWerkzeugsysteme)

### ORDER DIRECTLY

 Inquiry form:  
[www.benz-tools.de/en/products](http://www.benz-tools.de/en/products)