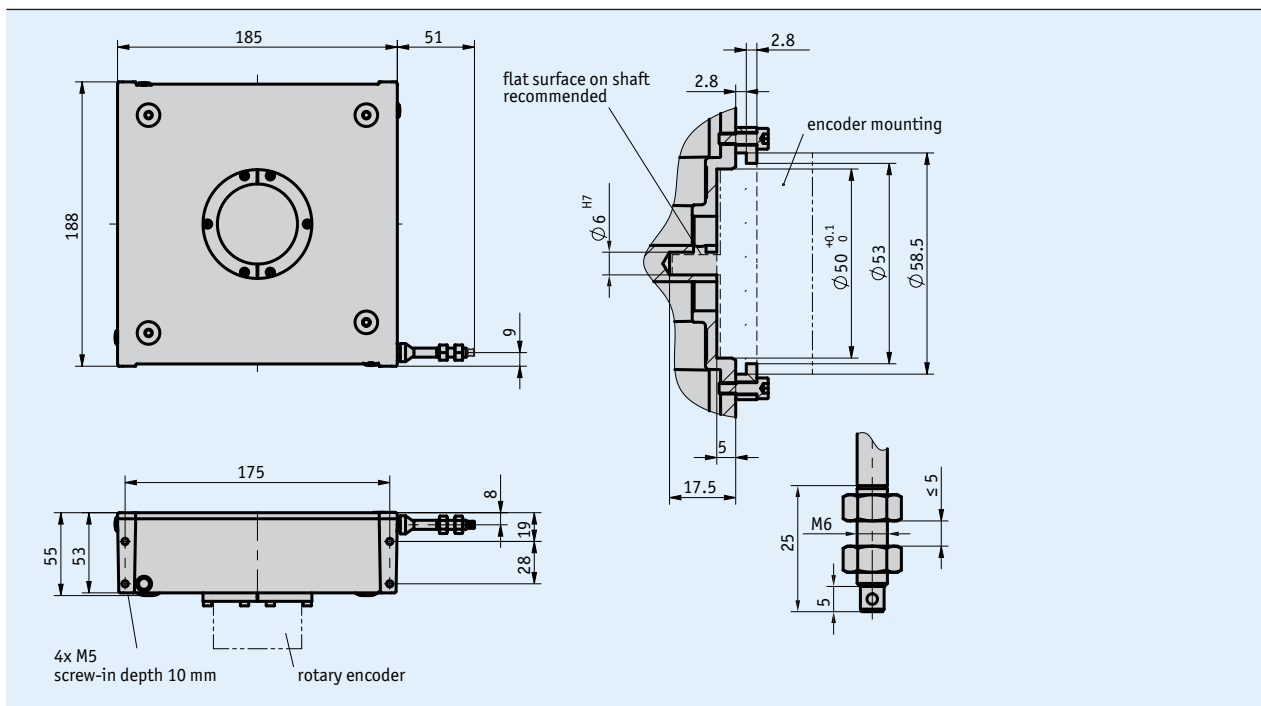


### Profile

- Very compact design
- Measurement lengths up to max. 15000 mm
- Flexible wire outlet
- Wire-actuated encoder for rotary encoder with 58 mm servo-flange
- Robust design
- Very robust measuring rope (stainless steel)



### Mechanical data

Feature	Technical data	Additional information
Housing	aluminum die-cast	
Wire design	$\phi 0.87$ mm	steel wire, plastic-coated
Extension force	$\geq 15.5$ N	
Measured distance/ rope drum revolution	500 mm	
Weight	$\sim 2.5$ kg	without rotary encoder

### System data

Feature	Technical data	Additional information
System accuracy	$\pm 0.1$ %	relating to measuring length (mm)
Repeat accuracy	$\pm 0.2$ mm	per direction of approach
Travel speed	$\leq 2.4$ m/s	

## Ambient conditions

Feature	Technical data	Additional information
Ambient temperature	-40 ... 80 °C	
Protection category	see rotary encoder	

## Order

### Ordering information

One or more system components are required:

Absolute encoder AV58M	<a href="http://www.siko-global.com">www.siko-global.com</a>
Incremental encoder IV58M	<a href="http://www.siko-global.com">www.siko-global.com</a>
Absolute encoder WV58MR	<a href="http://www.siko-global.com">www.siko-global.com</a>
Absolute encoder WV36M/SSI	<a href="http://www.siko-global.com">www.siko-global.com</a>
Absolute encoder WV36M/CAN	<a href="http://www.siko-global.com">www.siko-global.com</a>

### Ordering table

Feature	Ordering data	Specification	Additional information
Encoder type	OG6	without encoder	
	S6	a great variety of rotary connectors can be connected	

### Order key

SG150 - 15000 - SK -

**Scope of delivery:** SG150, User information

#### Accessories:

Guide roller UR  
Wire extension piece SV

[www.siko-global.com](http://www.siko-global.com)  
[www.siko-global.com](http://www.siko-global.com)