

Item description/product images

**Description****Material:**

Housing, steel plate.

Wheel tread, high quality polyurethane elastomere.

Wheel rims, die-cast aluminium.

Version:

Housing, press-formed.

Swivel housing, double-row ball bearings in a swivel head.

Ball bearing wheel axle bearings.

Note:

Wheel axle bolted.

Swivel and fixed castors with mounting plate.

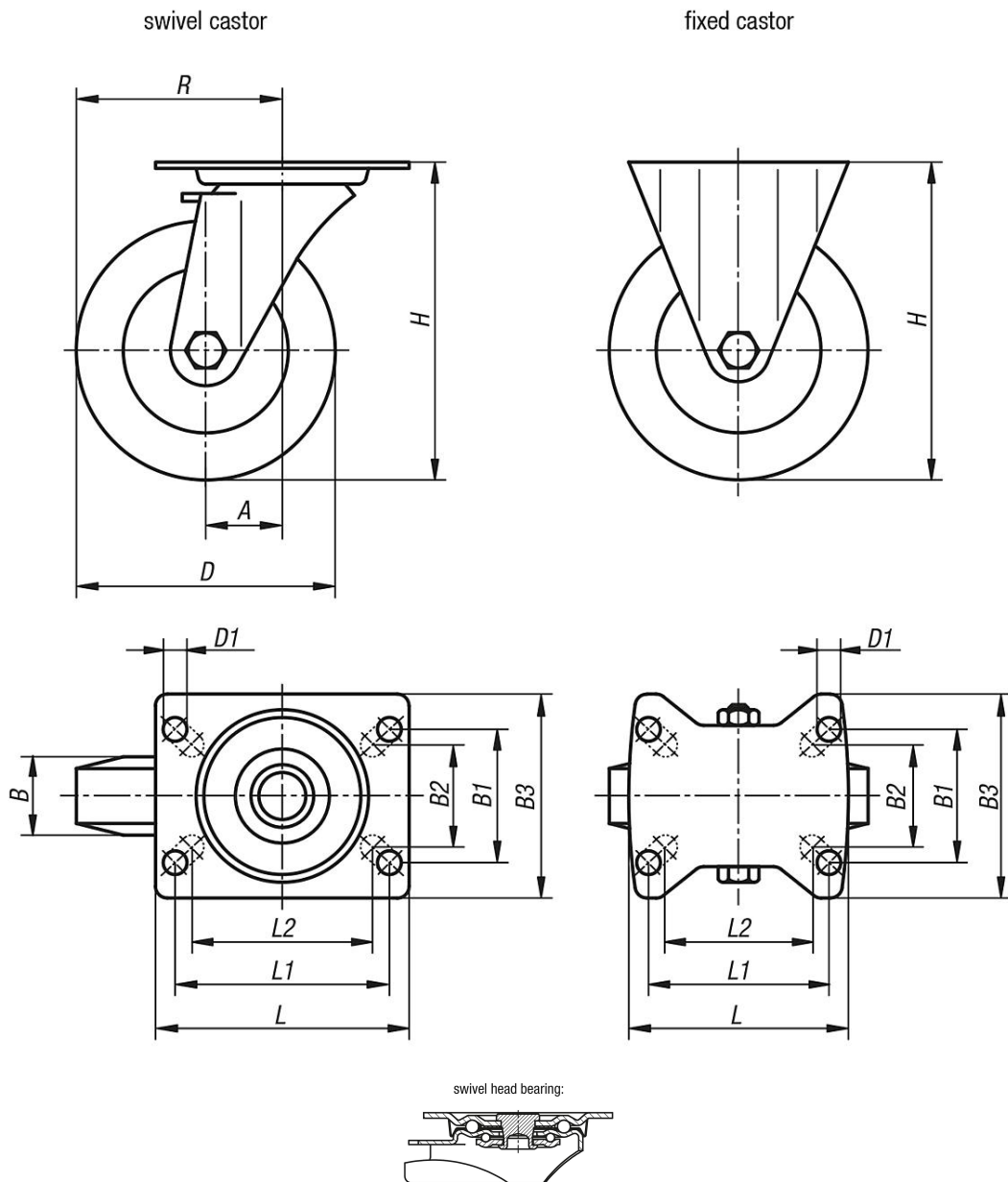
Application:

Heavy loads can be easily transported using this load handling equipment. The roll and swivel resistance is reduced with this new wheel series designed for intralogistic heavy load applications.

Temperature range:

-25 °C to +70 °C

Drawings



Overview of items

Order No.	Item	Version 1	Wheel bearing	A	B	B1	B2	B3	D	D1	H	L	L1	L2	R	Permissible load kg
95025-101000401	Fixed Castor	without locking system	ball bearing	-	40	60	55	85	100	9	125	100	80	76	-	200
95025-101250401	Fixed Castor	without locking system	ball bearing	-	40	60	55	85	125	9	150	100	80	76	-	200
95025-101500501	Fixed Castor	without locking system	ball bearing	-	50	80	75	110	150	11	190	140	105	-	-	400
95025-101600501	Fixed Castor	without locking system	ball bearing	-	50	80	75	110	160	11	195	140	105	-	-	400
95025-102000501	Fixed Castor	without locking system	ball bearing	-	50	80	75	110	200	11	235	140	105	-	-	400
95025-10100040	Swivel Castor	without locking system	ball bearing	36	40	60	55	85	100	9	125	100	80	76	86	200
95025-10125040	Swivel Castor	without locking system	ball bearing	40	40	60	55	85	125	9	150	100	80	76	102,5	200
95025-10150050	Swivel Castor	without locking system	ball bearing	60	50	80	75	110	150	11	190	140	105	-	135	400
95025-10160050	Swivel Castor	without locking system	ball bearing	60	50	80	75	110	160	11	195	140	105	-	140	400
95025-10200050	Swivel Castor	without locking system	ball bearing	65	50	80	75	110	200	11	235	140	105	-	165	400
95025-101000402	Swivel Castor	with stop-fix locking system	ball bearing	36	40	60	55	85	100	9	125	100	80	76	86	200
95025-101250402	Swivel Castor	with stop-fix locking system	ball bearing	40	40	60	55	85	125	9	150	100	80	76	102,5	200
95025-101500502	Swivel Castor	with stop-fix locking system	ball bearing	60	50	80	75	110	150	11	190	140	105	-	135	400
95025-101600502	Swivel Castor	with stop-fix locking system	ball bearing	60	50	80	75	110	160	11	195	140	105	-	140	400

Overview of items

Order No.	Item	Version 1	Wheel bearing	A	B	B1	B2	B3	D	D1	H	L	L1	L2	R	Permissible load kg
95025-102000502	Swivel Castor	with stop-fix locking system	ball bearing	65	50	80	75	110	200	11	235	140	105	-	165	400