

*Customized Filtering
Solutions for Industrial
Applications*

***WATER INTAKE SCREEN
(T)***

ABOUT US

ADENWEDGEWIRE operates in Technopark Istanbul which is the biggest technology development center in Turkey. We carry out R&D activities with a highly skilled engineering team that specialized in designing and manufacturing customer-specific wedge wire products depending on the requirements.

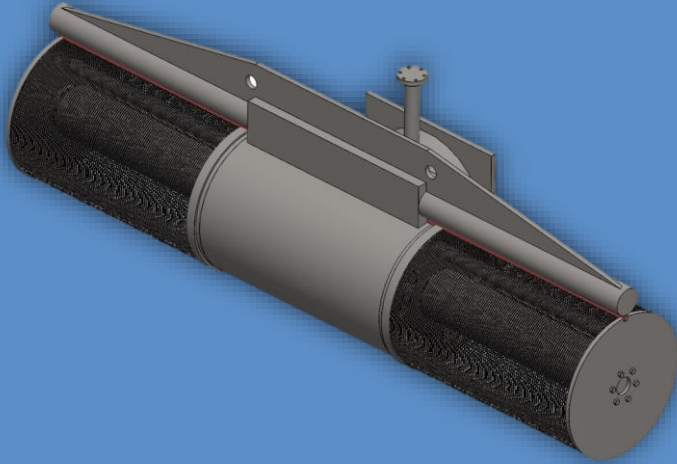
Our wedge wire screens focus on full customer satisfaction in terms of competitive cost, short shipping time and high mechanical properties. Manufacturing consists of robotic systems that enable high precision and flexible solutions.

Manufactured with Stainless Steel 304, 304L, 304HC, 316, 316L, 316Ti, 321 or depending on your request with different kinds of application based surface treatments and coatings.

OUR CAPABILITIES

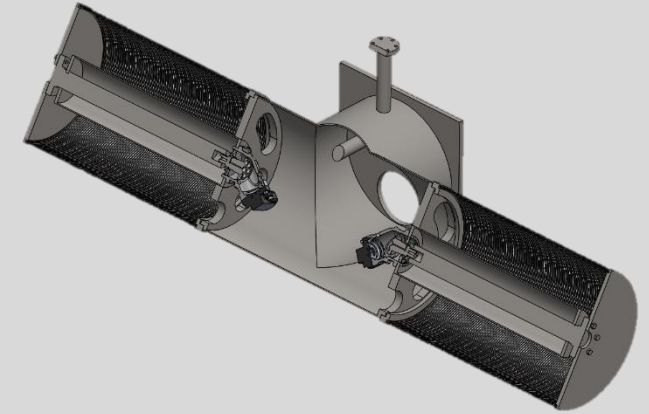
- Design & manufacturing of unique and customized Wedge Wire Screens
- Design and supply of Coanda Intake Screens
- Manufacturing of Special Bi-Cylindrical Screens for a wide range of industries
- Specific surface treatments depending on application for longer life
- Specialized tilted-wire construction to provide high filtration performance





- ❖ Corrosion resistant
- ❖ No moving parts
- ❖ Minimum pressure loss
- ❖ Increased intake capacity

WATER INTAKE SCREEN (T)



Water intake screen is widely used in places with high volumes of water such as lakes, rivers and oceans. It is designed to work efficiently in multiple water conditions in harsh environments.

These water-intake screens are used in other treatment applications such as cooling water applications and process water to filter raw water extracted from underwater sources. These screens maintain an excellent constant flow rate and minimize blockages while preserving aquatic life.



Ha-Tec Automation
Distrubitor- Germany

ADENWEDGEWIRE
Turkey

info@adenwedgewire.com
www.adenwedgewire.com