



INTERNATIONAL
Brabender Technologie GmbH & Co. KG
Kulturstrasse 49
47055 Duisburg, Germany

RUSSIA
OOO „Service Vostok“
1-st Tshipkovsky per. H20
Office 16
115093 Moscow, Russia

NORTH AMERICA
Brabender Technologie Inc.
6500 Kestrel Road, Mississauga
Ontario L5T 1Z6, Canada

PR CHINA
Brabender Technologie (Beijing) Co., Ltd.
3rd F, B Section, No. 3 Workshop, 2nd Project
of Guanglian Industrial Park, No. 2 Kechuang
East 5th Rd., Opto-Mechatronics Industrial Park
Tongzhou, Beijing 101111, China



INDIA
Brabender Technologie GmbH & Co. KG
(India Branch Office)
BE-86, Sector-1 (2nd & Gr. Floor)
Salt Lake City, Kolkata - 700064, India

UNITED ARAB EMIRATES
Brabender Technologie Middle East
P.O. Box 18139
Dubai, United Arab Emirates



Further international
agency addresses

www.brabender-technologie.com
www.bt-cito.com

Keep the Flow

THE VERSATILE **FLEXWALL® PLUS**

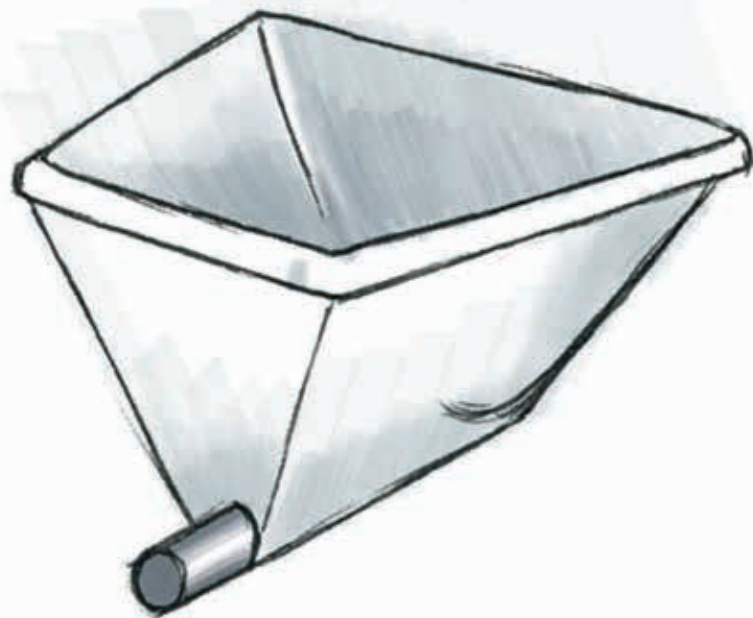


all-purpose bulk material feeder
easy to dismantle and clean
space-saving no bridging thanks to straight-walled hopper
flexible hopper with external agitation

flexibility

simple and quick ingredient changeover

low height patented trapezoidal shape
gentle feed capability **global service**
large hopper cross sections

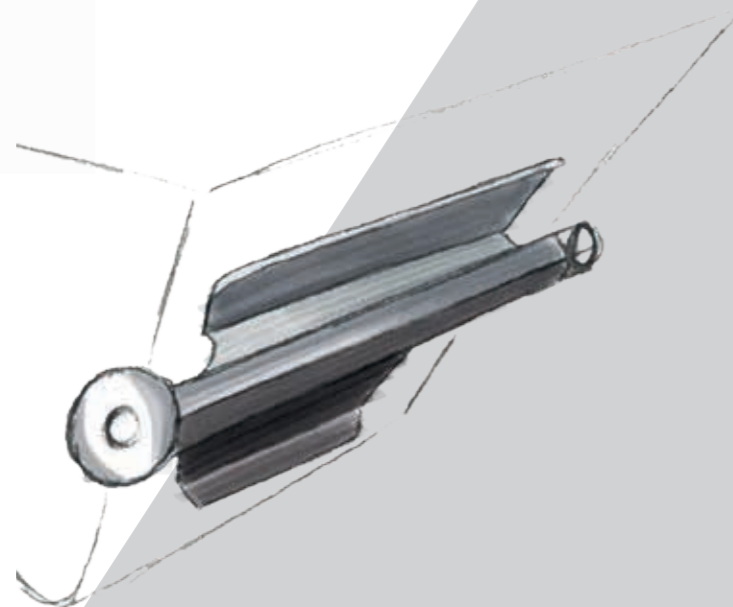


FLEXIBLE POLYURETHANE HOPPER

Thanks to its flexible, polyurethane hopper with external massaging paddles, the FlexWall®Plus is suitable for use with practically all free-flowing and even poor flowing bulk materials and fibers. It is food-safe in accordance with European and US regulations. Anti-static or chemical-proof versions are available.

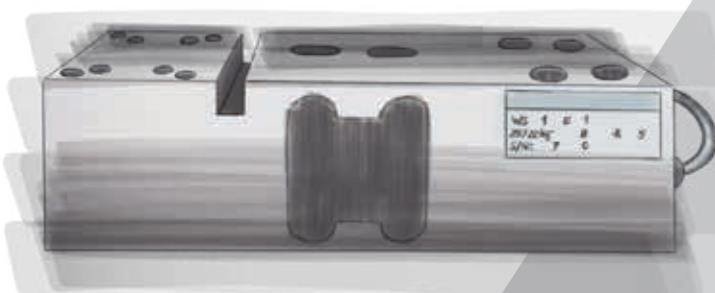
MASSAGE PADDLE

The external massaging paddle enables bulk materials to flow without compacting, bridging or ingredient build-up. The paddle amplitude can be adjusted to provide gentle ingredient flow.



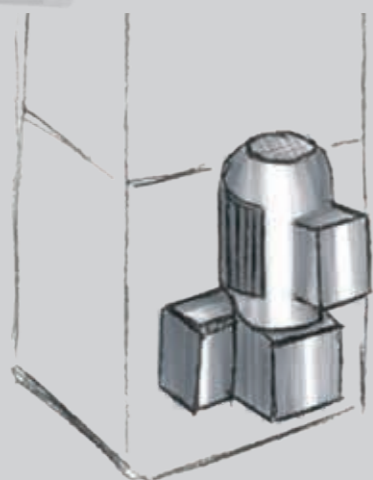
LOAD CELL

Analogue or digital load cells are available to match your application.



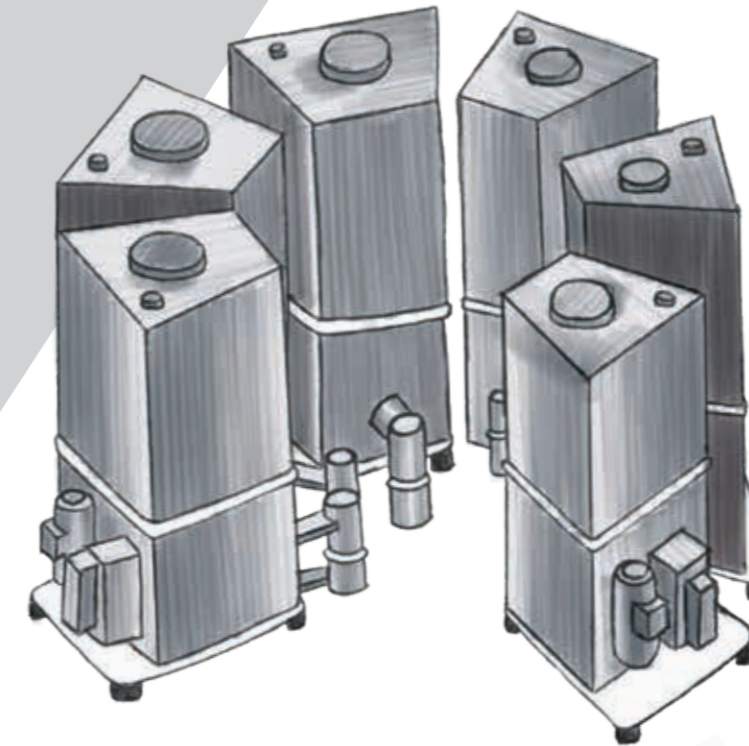
MOTOR

The FlexWall®Plus features a frequency-controlled electric AC motor. The hinged motor version is particularly suitable for easy screw removal from the rear. For difficult flowing ingredients, a second motor for the massaging paddles is available.



TRAPEZOIDAL SHAPE

The FlexWall®Plus patented, compact trapezoidal shape enables multiple feeders to be arranged around a central feed point without requiring extended screws to reach the downstream process vessel.



SPIRAL SCREW

Spiral screws are suitable for feeding both pellets and powders.



BLADE SCREW

Blade screws are the right choice for floodable powders.



FIBER SCREW

Fibers require a special design of screw.



FW40plus

MODEL	Motor	PRM	Paddles	Separate Paddle Drive
1	hinged	192 (335)	no	no
2	hinged	192 (335)	yes	yes
5	fixed	192	yes	no
6	fixed	192 (335)	no	no
7	fixed	192 (335)	yes	yes

PERFORMANCE RANGES

Powder	up to 1075 dm ³ /h (37.9 cuft/hr)
Pellets	up to 749 dm ³ /h (26.4 cuft/hr)
Fibers	up to 648 dm ³ /h (22.8 cuft/hr)
Min. output	3 kg/h (1.3 lb/hr)

FW80plus

MODEL	Motor	RPM	Paddles	Separate Paddle Drive
1	hinged	192 (335)	no	no
2	hinged	192 (335)	yes	yes
5	fixed	192	yes	no
6	fixed	192 (335)	no	no
7	fixed	192 (335)	yes	yes

PERFORMANCE RANGES

Powder	up to 7619 dm ³ /h (269 cuft/hr)
Pellets	up to 5984 dm ³ /h (211.3 cuft/hr)
Fibers	up to 2213 dm ³ /h (78.1 cuft/hr)
Min. output	10 kg/h (4.5 lb/hr)